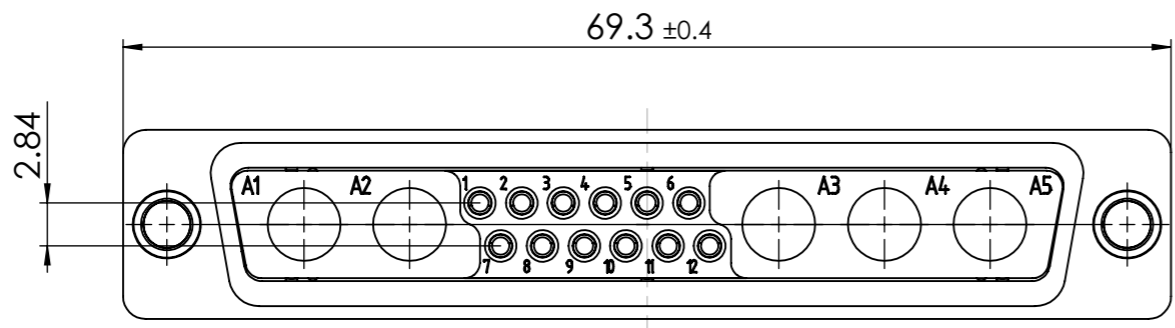
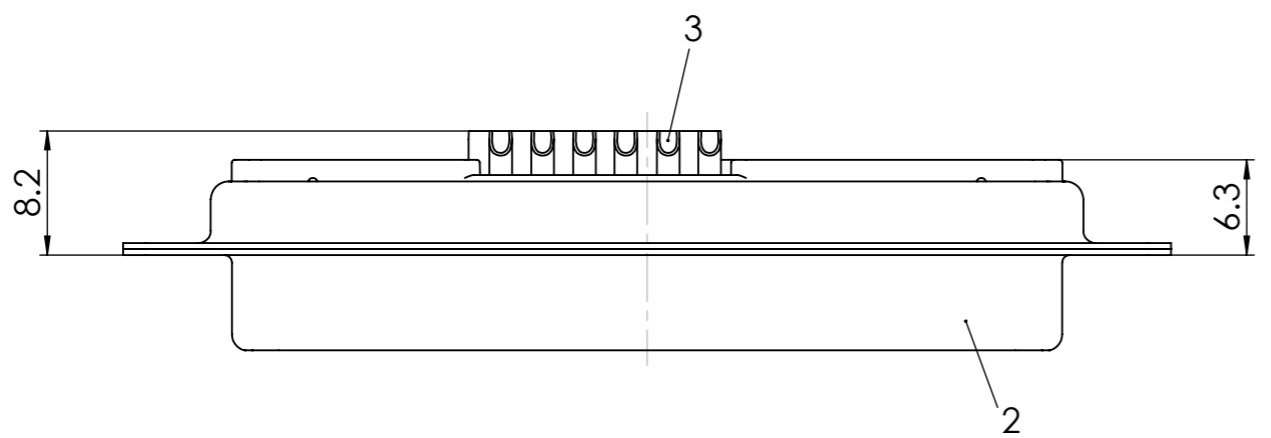
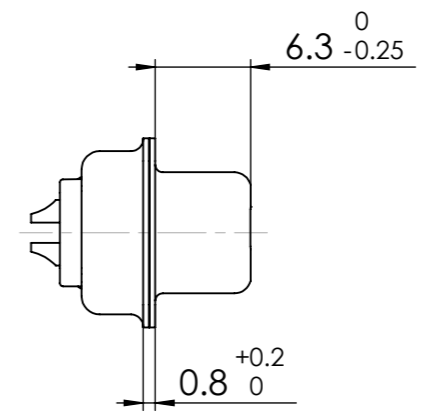
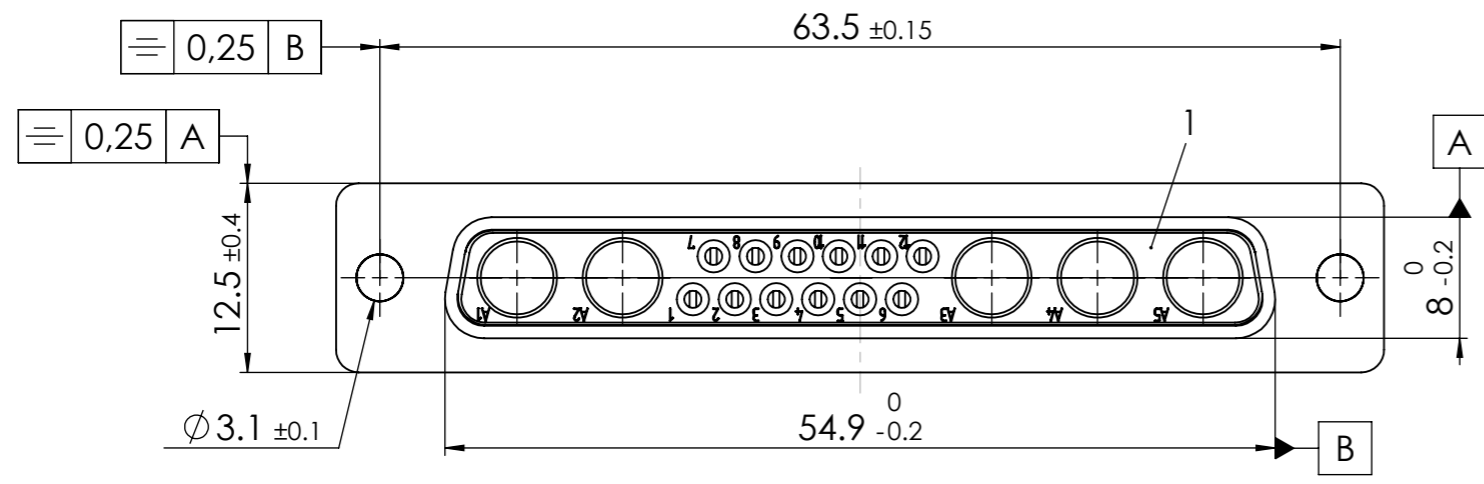


COMMENT: ALL RIGHTS ARE RESERVED BY US FOR THIS DRAWING. WITHOUT OUR PRIOR CONSENT, IT MAY NEITHER BE DUPLICATED NOR MADE AVAILABLE TO A THIRD PARTY. AND IT ALSO MAY NOT BE IMPROPERLY USED BY THE RECEIVER, OR A THIRD PARTY.



RoHS compliant

No.	St.	Part	Type Description/Material	Surface plating/Colour/Class
3	12	Signal contact	S0 / Brass	AuroPur / AWG 20
2	1	Shell	Steel	tin plated
1	1	Insulator	PBT (-55°C - +130°C)	green

		Measurement without tolerance occ. to ISO 2768-m SCALE 2:1 TITLE D-Sub Mixed-Layout Connector	
		NAME / DATE DRAWN sschref 09-04-2014 CHECKED sschref 09-04-2014	
		FCT a molex company DWG.NO. FM17W5SA-K121 REV. 1	
1	REV.	DATE	CH.-NO.
		ORIGINAL: DIN A3-DRAWING AS A FILE REPLACEMENT FOR:	
		PAGES 1	

## X-ON Electronics

Largest Supplier of Electrical and Electronic Components

*Click to view similar products for [fct electronics manufacturer](#):*

Other Similar products are found below :

[F2W2SC-1002](#) [FMK3-K201](#) [FT2W2SC-K121](#) [K761](#) [24P104C24P1-006](#) [SDB15P159S-060](#) [SHD15P15S-012](#) [SHD15P15S-036](#) [FU27W2S7-K121](#) [2761](#) [ICD040GVP163D-03](#) [ICD040GVP163D-25](#) [10056427-1050011LF](#) [155298-002](#) [155286-001](#) [172704-0016](#) [173112-0413](#) [173113-0152](#) [173109-0036](#) [111-0098-994](#) [173107-0568](#) [FM24W7P-K120](#) [FM9W4P-K120](#) [FWDR15S](#) [RB09P09P-006](#) [FLW0915S7](#) [FT2W2PC-K120](#) [25P203C25P2-003](#) [K1003](#) [10112041-2020HLF](#) [173112-0077](#) [173112-0074](#) [173114-0092](#) [10046971-019LF](#) [10093084-2010LF](#) [FWDR09S1](#) [SHD26P26S-012](#) [FWDR15P](#) [74977-101001LF](#) [FM25W3PA-K120](#) [173112-0073](#) [151-2811-010](#) [91910-21169LF](#) [SHD15P15S-060](#) [FKC3GNME](#) [FKT5](#) [CT50-78P7](#) [HM2R89PA8100N9LF](#) [FM27W2SA-K121](#) [73231-1321](#)