

POWR-BLOKS™

Distribution/Splicer Blocks and Covers



POWR-BLOKS power distribution blocks offer a safe, convenient way of splicing cables, providing a fixed junction tap-off point or splitting primary power into secondary circuits. LX2xxx-DIN series offers integral DIN-Rail mount and an optional hinged safety cover.

Applications

Typical applications include heating, air conditioning and refrigeration systems, elevator systems, material handling equipment, control panels, motor controls, switchgear, and anywhere power needs to be distributed to more than one load.

Specifications

Voltage Rating: 600V
Amperage: Based on NEC Table 310.16, using 75°C copper wire
Material: Phenolic rated at 150°C and Thermoplastic rated at 125°C (LD1400 and LS1300 series only)

Connectors

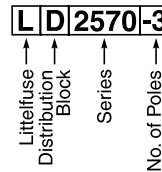
Box lug connectors are designed for use with a single, solid or class B or C stranded conductor. Use of more than one conductor per connector opening or use of extra-flexible, fine stranded conductors, such as welding cable, voids the UL Listing, and may cause overheating. Manufacturers of cable terminations can furnish crimp-on sleeves for fine stranded conductors which permit these conductors to be used with box lugs.

Ampere Ratings

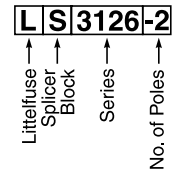
The ampere rating per pole for power distribution blocks is based on the line ampacity of 75°C insulated conductors per NEC Table 310.16. If 60°C insulated conductors are used, load must not exceed the ampacity of 60°C conductors. Use of conductors rated in excess of 75°C is permitted (for example 90°C), however, load must not exceed the ampacity of 75°C conductors.

Ordering Information

Distribution Block
Example Part No.



Splicer Block
Example Part No.



Note: Aluminum blocks can use copper or aluminum wire; copper blocks can only use copper wire.

Connector: Standard: Highly conductive aluminum, tin plated
 Copper: Highly conductive copper, tin plated
Flammability Rating: 94V-0
Approvals: UL Recognized (File No. E171395)
 CSA Certified (File No. LR700111)

POWR-BLOKS™

Distribution/Splicer Blocks and Covers



Littelfuse optional power distribution block covers provide protection against accidental shorting between poles caused by loose wires, tools, or other conductive material. They also protect personnel from accidentally contacting energized connectors. Clear plastic covers are available for most blocks. New Lx2xxx-xDIN series blocks offer a hinged cover. To order protective covers, match the number of poles for the block to the cover.

Distribution Block Covers

Hinged Plastic Covers

Littelfuse Part Number	For use with Distribution/Splicer Block No.	Number of Poles
LCH132-1	LD2xxx-1DIN / LS2xxx-1DIN	1
LCH132-2	LD2xxx-2DIN / LS2xxx-2DIN	2
LCH132-3	LD2xxx-3DIN / LS2xxx-3DIN	3

Note: Optional hinged covers snap on to blocks.

Clear Plastic Covers

Littelfuse Part Number	For use with Distribution/Splicer Block No.	Number of Poles
LPBC0-2	LD0xxx-2 / LS0xxx-2	2
LPBC0-3	LD0xxx-3 / LS0xxx-3	3
LPBC2-1	LD2xxx-1 / LS2xxx-1	1
LPBC2-2	LD2xxx-2 / LS2xxx-2	2
LPBC2-3	LD2xxx-3 / LS2xxx-3	3
LPBC3-1	LD3xxx-1 / LS3xxx-1	1
LPBC3-2	LD3xxx-2 / LS3xxx-2	2
LPBC3-3	LD3xxx-3 / LS3xxx-3	3
LPBC4-1	LD4xxx-1 / LS4xxx-1	1
LPBC4-2	LD4xxx-2 / LS4xxx-2	2
LPBC4-3	LD4xxx-3 / LS4xxx-3	3
LPBC5-1	LD5xxx-1 / LS5xxx-1	1
LPBC5-2	LD5xxx-2 / LS5xxx-2	2
LPBC5-3	LD5xxx-3 / LS5xxx-3	3

Note: For installation of optional clear plastic covers, use the screws provided with each cover.



POWR-BLOKS™

Distribution/Splicer Blocks and Covers

Distribution Block Selection Guide

Connector Configuration			Amp Rating per Pole	Number of Poles	Line		Load		Figure	Littelfuse Catalog Number
Mat'l	Line	Load			Wire Range	Openings per Pole	Wire Range	Openings per Pole		
AL			115	1	#2 - #14	1	#10 - #18	4	2	LD1400-1
			115	2	#2 - #14	1	#10 - #18	4	2	LD1400-2
			115	3	#2 - #14	1	#10 - #18	4	2	LD1400-3
			115	4	#2 - #14	1	#10 - #18	4	2	LD1400-4
AL			175	2	2/0 - #14	1	#4 - #14	6	1	LD0401-2
			175	3	2/0 - #14	1	#4 - #14	6	1	LD0401-3
AL			175	2	2/0 - #14	1	#4 - #14	4	1	LD0402-2
			175	3	2/0 - #14	1	#4 - #14	4	1	LD0402-3
AL			310	2	350mcm - #6	1	#4 - #14	6	1	LD0404-2
			310	3	350mcm - #6	1	#4 - #14	6	1	LD0404-3
AL			175	1	2/0 - #14	1	#4 - #14	4	3	LD2570-1
			175	2	2/0 - #14	1	#4 - #14	4	3	LD2570-2
			175	3	2/0 - #14	1	#4 - #14	4	3	LD2570-3
CU			175	1	2/0 - #14	1	#4 - #14	4	3	LD2970-1
			175	2	2/0 - #14	1	#4 - #14	4	3	LD2970-2
			175	3	2/0 - #14	1	#4 - #14	4	3	LD2970-3
AL			335	1	400mcm - #6	1	#2 - #14	4	5	LD3552-1
			335	2	400mcm - #6	1	#2 - #14	4	5	LD3552-2
			335	3	400mcm - #6	1	#2 - #14	4	5	LD3552-3
AL			335	1	400mcm - #6	1	#2 - #14	6	5	LD3553-1
			335	2	400mcm - #6	1	#2 - #14	6	5	LD3553-2
			335	3	400mcm - #6	1	#2 - #14	6	5	LD3553-3
AL			350	1	2/0 - #14	2	#4 - #14	6	5	LD3555-1
			350	2	2/0 - #14	2	#4 - #14	6	5	LD3555-2
			350	3	2/0 - #14	2	#4 - #14	6	5	LD3555-3
CU			380	1	500mcm - #4	1	#2 - #14	6	5	LD3953-1
			380	2	500mcm - #4	1	#2 - #14	6	5	LD3953-2
			380	3	500mcm - #4	1	#2 - #14	6	5	LD3953-3
CU			350	1	2/0 - #14	2	#4 - #14	6	5	LD3955-1
			350	2	2/0 - #14	2	#4 - #14	6	5	LD3955-2
			350	3	2/0 - #14	2	#4 - #14	6	5	LD3955-3
AL			380	1	500mcm - #4	1	#2 - #14	6	6	LD4551-1
			380	2	500mcm - #4	1	#2 - #14	6	6	LD4551-2
			380	3	500mcm - #4	1	#2 - #14	6	6	LD4551-3
AL			335	1	400mcm - #6	1	#2 - #14	8	6	LD4560-1
			335	2	400mcm - #6	1	#2 - #14	8	6	LD4560-2
			335	3	400mcm - #6	1	#2 - #14	8	6	LD4560-3
AL			380	1	500mcm - #4	1	#2 - #14	12	7	LD5552-1
			380	2	500mcm - #4	1	#2 - #14	12	7	LD5552-2
			380	3	500mcm - #4	1	#2 - #14	12	7	LD5552-3
AL			380	1	500mcm - #4	1	2/0 - #14	6	7	LD5579-1
			380	2	500mcm - #4	1	2/0 - #14	6	7	LD5579-2
			380	3	500mcm - #4	1	2/0 - #14	6	7	LD5579-3
AL			760	1	500mcm - #4	2	2/0 - #14	8	7	LD5586-1
			760	2	500mcm - #4	2	2/0 - #14	8	7	LD5586-2
			760	3	500mcm - #4	2	2/0 - #14	8	7	LD5586-3
AL			665	1	500mcm - #4	1	2/0 - #14	4	7	LD5587-1
				350mcm - #6	1	2/0 - #14	4	7	LD5587-1	
			665	2	500mcm - #4	1	2/0 - #14	4	7	LD5587-2
				350mcm - #6	1	2/0 - #14	4	7	LD5587-2	
665	3	500mcm - #4	1	2/0 - #14	4	7	LD5587-3			
		350mcm - #6	1	2/0 - #14	4	7	LD5587-3			

POWR-BLOKS™

Distribution/Splicer Blocks and Covers

Distribution Block Selection Guide

Mat'l	Connector Configuration		Amp Rating per Pole	Number of Poles	Line		Load		Figure	Littelfuse Catalog Number
	Line	Load			Wire Range	Openings per Pole	Wire Range	Openings per Pole		
AL			760	1	500mcm-#4	2	#4 - #14	12	7	LD5592-1
			760	2	500mcm-#4	2	#4 - #14	12	7	LD5592-2
			760	3	500mcm-#4	2	#4 - #14	12	7	LD5592-3
AL			380	1	500mcm-#4	1	#2 - #14	8	7	LD5594-1
			380	2	500mcm-#4	1	#2 - #14	8	7	LD5594-2
			380	3	500mcm-#4	1	#2 - #14	8	7	LD5594-3
CU			760	1	500mcm-#4	2	2/0 - #14	8	7	LD5986-1
			760	2	500mcm-#4	2	2/0 - #14	8	7	LD5986-2
			760	3	500mcm-#4	2	2/0 - #14	8	7	LD5986-3
CU			760	1	500mcm-#4	2	#2 - #14	12	7	LD5992-1
			760	2	500mcm-#4	2	#2 - #14	12	7	LD5992-2
			760	3	500mcm-#4	2	#2 - #14	12	7	LD5992-3
AL			175	1	2/0 - #14	1	#4 - #14	4	4	LD2570-1DIN
			175	2	2/0 - #14	1	#4 - #14	4	4	LD2570-2DIN
			175	3	2/0 - #14	1	#4 - #14	4	4	LD2570-3DIN
			175	Adder	2/0 - #14	1	#4 - #14	4	4	LD2570-ADIN
AL			175	1	2/0 - #14	1	#4 - #14	6	4	LD2580-1DIN
			175	2	2/0 - #14	1	#4 - #14	6	4	LD2580-2DIN
			175	3	2/0 - #14	1	#4 - #14	6	4	LD2580-3DIN
			175	Adder	2/0 - #14	1	#4 - #14	6	4	LD2580-ADIN
CU			175	1	2/0 - #14	1	#4 - #14	4	4	LD2970-1DIN
			175	2	2/0 - #14	1	#4 - #14	4	4	LD2970-2DIN
			175	3	2/0 - #14	1	#4 - #14	4	4	LD2970-3DIN
			175	Adder	2/0 - #14	1	#4 - #14	4	4	LD2970-ADIN

Blocks and Holders

POWR-BLOKS™

Distribution/Splicer Blocks and Covers

Splicer Block Selection Guide

Connector Configuration			Amp Rating per Pole	Number of Poles	Line		Load		Figure	Littelfuse Catalog Number
Mat'l	Line	Load			Wire Range	Openings per Pole	Wire Range	Openings per Pole		
AL			310	2	350mcm-#6	1	350mcm-#6	1	1	LS0303-2
			310	3	350mcm-#6	1	350mcm-#6	1	1	LS0303-3
AL			115	1	#2 - #14	1	#2 - #14	1	2	LS1300-1
			115	2	#2 - #14	1	#2 - #14	1	2	LS1300-2
			115	3	#2 - #14	1	#2 - #14	1	2	LS1300-3
			115	4	#2 - #14	1	#2 - #14	1	2	LS1300-4
CU			150	1	1/0 - #18	1	1/0 - #18	1	3	LS2121-1
			150	2	1/0 - #18	1	1/0 - #18	1	3	LS2121-2
			150	3	1/0 - #18	1	1/0 - #18	1	3	LS2121-3
AL			115	1	#2 - #14	1	#2 - #14	1	3	LS2552-1
			115	2	#2 - #14	1	#2 - #14	1	3	LS2552-2
			115	3	#2 - #14	1	#2 - #14	1	3	LS2552-3
AL			175	1	2/0 - #14	1	2/0 - #14	1	3	LS2572-1
			175	2	2/0 - #14	1	2/0 - #14	1	3	LS2572-2
			175	3	2/0 - #14	1	2/0 - #14	1	3	LS2572-3
AL			255	1	250mcm-#6	1	250mcm-#6	1	5	LS3123-1
			255	2	250mcm-#6	1	250mcm-#6	1	5	LS3123-2
			255	3	250mcm-#6	1	250mcm-#6	1	5	LS3123-3
CU			255	1	250mcm-#6	1	250mcm-#6	1	5	LS3124-1
			255	2	250mcm-#6	1	250mcm-#6	1	5	LS3124-2
			255	3	250mcm-#6	1	250mcm-#6	1	5	LS3124-3
AL			310	1	350mcm-#6	1	350mcm-#6	1	5	LS3126-1
			310	2	350mcm-#6	1	350mcm-#6	1	5	LS3126-2
			310	3	350mcm-#6	1	350mcm-#6	1	5	LS3126-3
AL			420	1	600mcm-#4	1	600mcm-#4	1	6	LS4557-1
			420	2	600mcm-#4	1	600mcm-#4	1	6	LS4557-2
			420	3	600mcm-#4	1	600mcm-#4	1	6	LS4557-3
AL			620	1	350mcm-#4	2	350mcm-#4	2	7	LS5129-1
			620	2	350mcm-#4	2	350mcm-#4	2	7	LS5129-2
			620	3	350mcm-#4	2	350mcm-#4	2	7	LS5129-3
AL			760	1	500mcm-#4	2	500mcm-#4	2	7	LS5301-1
			760	2	500mcm-#4	2	500mcm-#4	2	7	LS5301-2
			760	3	500mcm-#4	2	500mcm-#4	2	7	LS5301-3
AL			175	1	2/0 - #14	1	2/0 - #14	1	4	LS2572-1DIN
			175	2	2/0 - #14	1	2/0 - #14	1	4	LS2572-2DIN
			175	3	2/0 - #14	1	2/0 - #14	1	4	LS2572-3DIN
			175	A	2/0 - #14	1	2/0 - #14	1	4	LS2572-ADIN
CU			175	1	2/0 - #14	1	2/0 - #14	1	4	LS2972-1DIN
			175	2	2/0 - #14	1	2/0 - #14	1	4	LS2972-2DIN
			175	3	2/0 - #14	1	2/0 - #14	1	4	LS2972-3DIN
			175	A	2/0 - #14	1	2/0 - #14	1	4	LS2972-ADIN

POWR-BLOKS™

Distribution/Splicer Blocks and Covers

LX0XXX

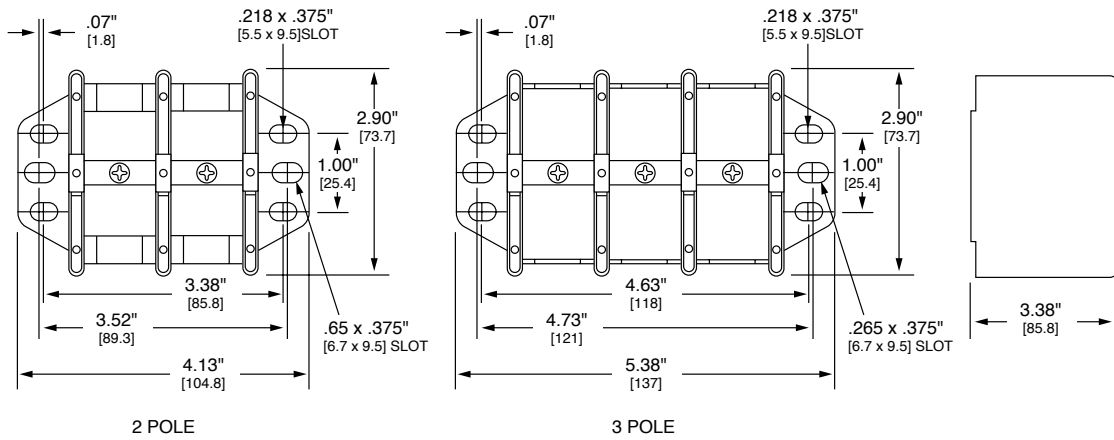


Figure 1

LX1XXX

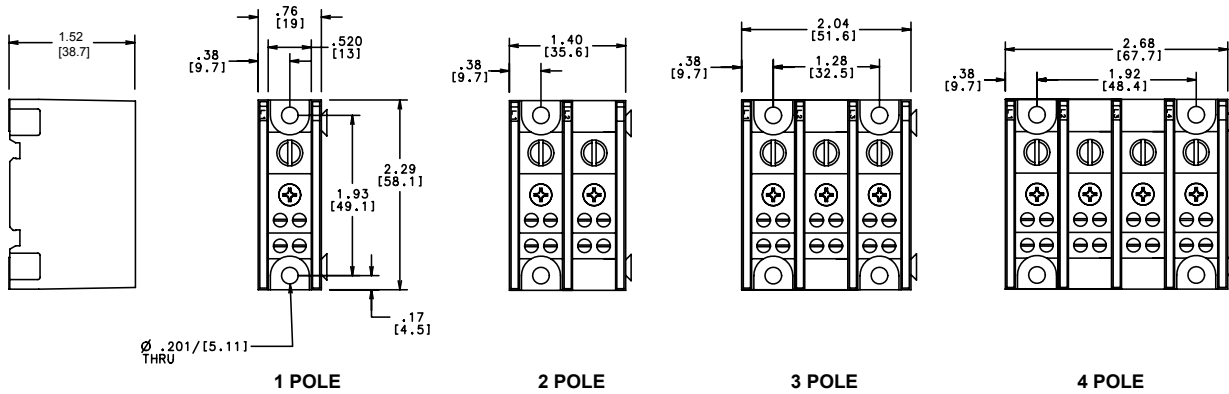


Figure 2

LX2XXX

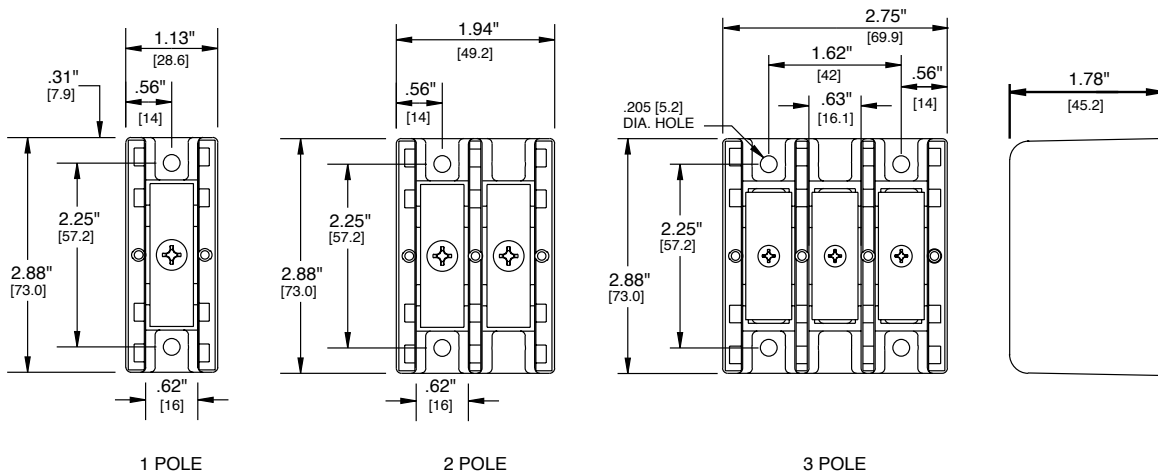


Figure 3

Blocks and Holders

POWR-BLOKS™

Distribution/Splicer Blocks and Covers

LX2XXX-XDIN

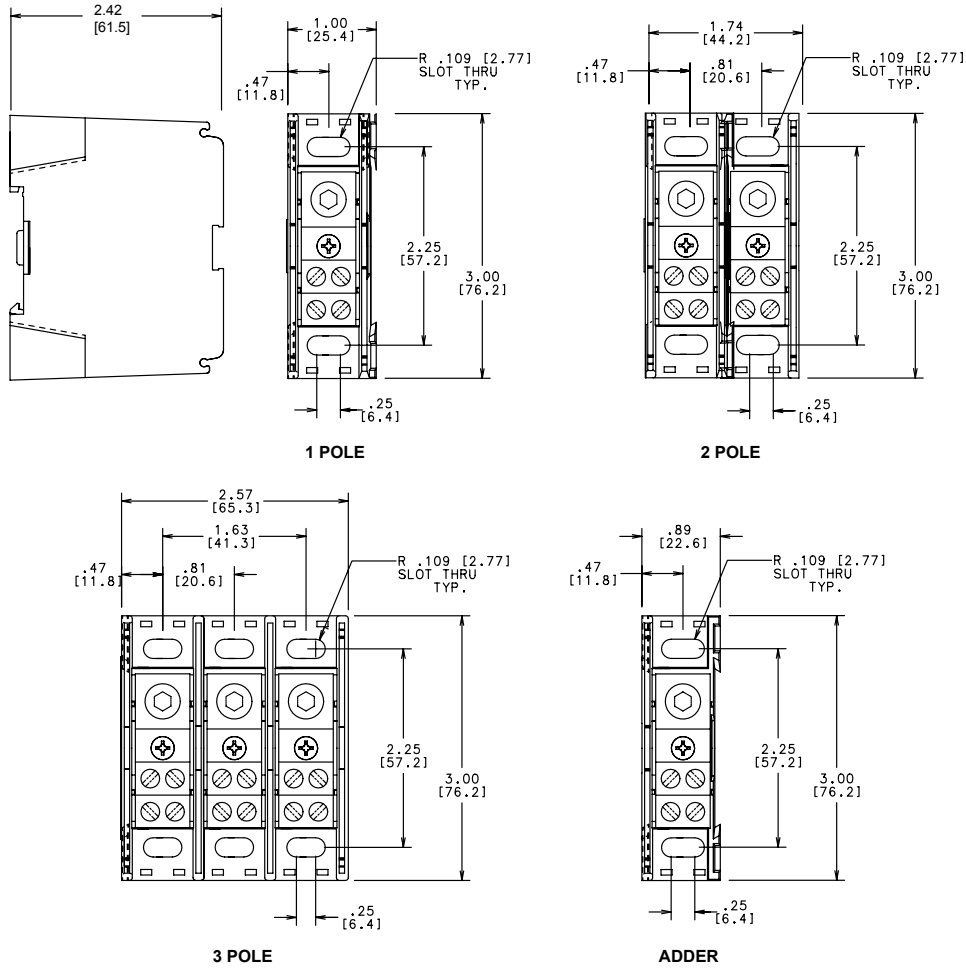


Figure 4

LX3XXX

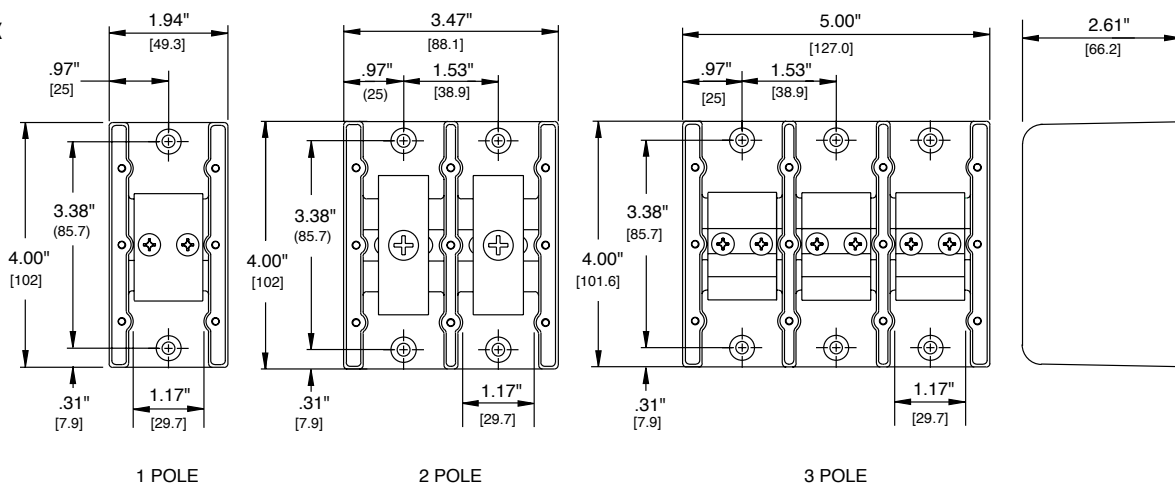


Figure 5

POWR-BLOKS™

Distribution/Splicer Blocks and Covers

LX4XXX

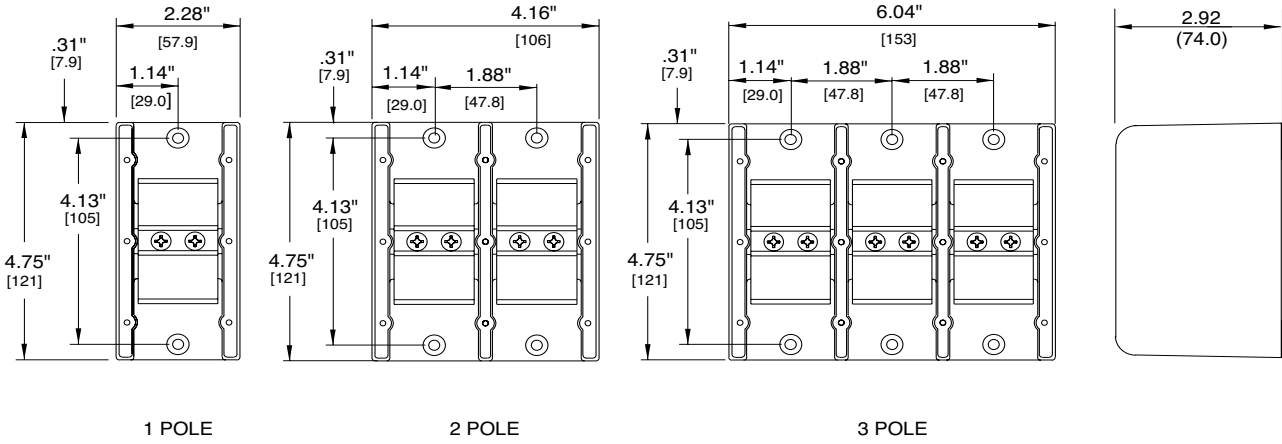


Figure 6

LX5XXX

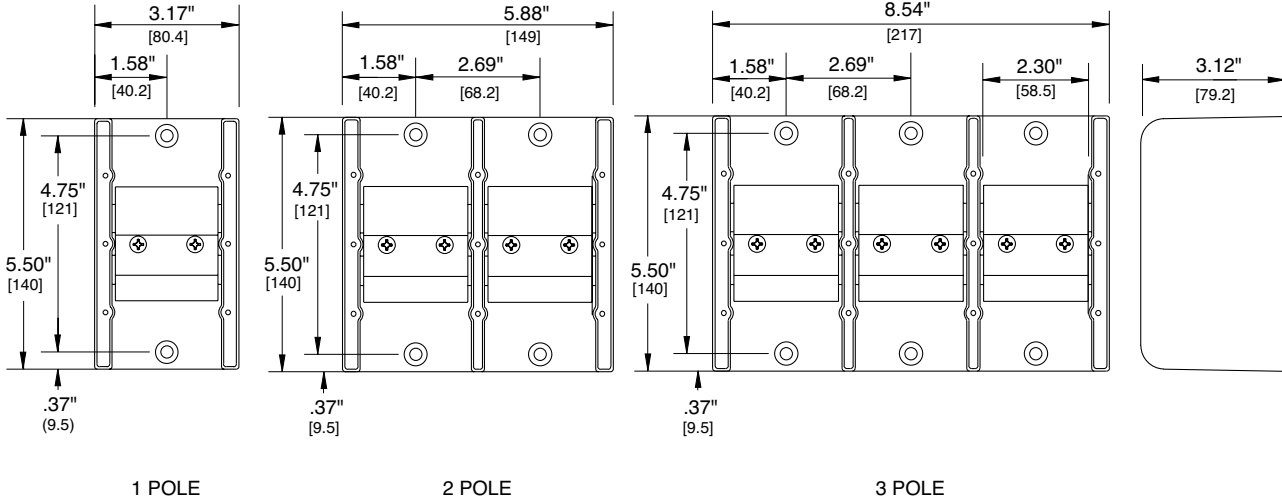


Figure 7

X-ON Electronics

Largest Supplier of Electrical and Electronic Components

Click to view similar products for [Barrier Terminal Blocks](#) category:

Click to view products by [Littelfuse](#) manufacturer:

Other Similar products are found below :

[CTA-0103](#) [6PCR-02-008](#) [6PCR-05-008](#) [6PCR-08-008](#) [6PCR-21-006](#) [6PCV-06-008](#) [6PCV-10-009](#) [6PCV-15-008](#) [6STR-06-006](#) [6STR-08-006](#) [6STR-12-008](#) [6STR-14-008](#) [6STR-16-008](#) [6STR-17-008](#) [6STR-21-008](#) [6STR-25-008](#) [6STR-27-008](#) [6STV-03-006](#) [6STV-03-008](#) [6STV-04-006](#) [6STV-10-006](#) [6WWR-03](#) [6WWV-11-008](#) [6WWV-12-008](#) [6WWV-16-008](#) [7-1546701-0](#) [72212603](#) [72503-C](#) [73203](#) [76007](#) [7606-602LF](#) [77010-50](#) [796985-3](#) [796988-4](#) [7C1N08](#) [8-1437402-5](#) [8-1437402-7](#) [8-1546158-0](#) [870505](#) [870903](#) [8PCR-06-006](#) [8PCV-02-008](#) [8PCV-04-008](#) [8PCV-05-008](#) [8PCV-09-006](#) [8PCV-15-006](#) [8PCV-16-006](#) [8PCV-17-006](#) [8QCR-03-008](#) [8STV-04-006](#)