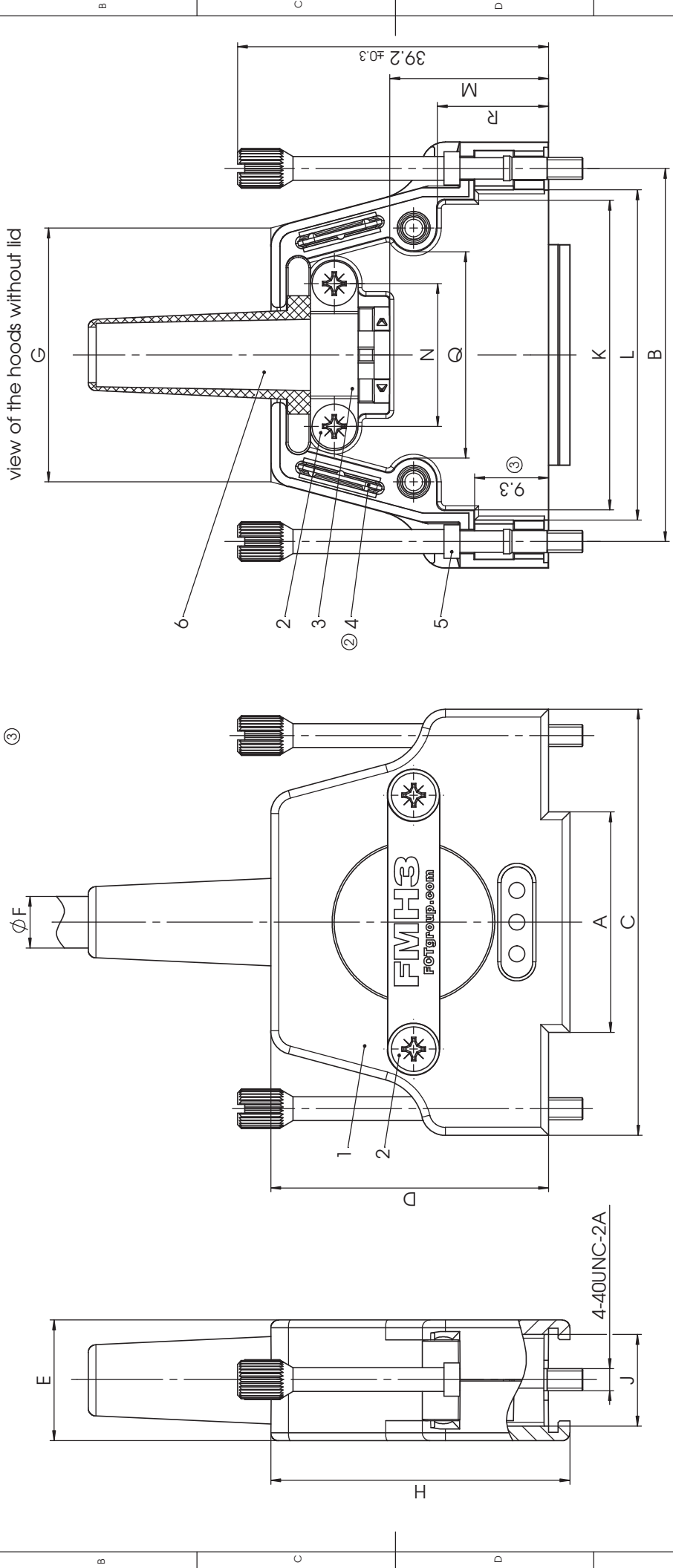


| Order-No. | Shell Size / for No. of Contacts | A    | B    | C    | D  | E    | $\phi F1$<br>min - max | $\phi F2$<br>Rubber bushing | max 1 | max 2 | G    | H    | J    | K    | L    | M    | N  | Q    | R    |
|-----------|----------------------------------|------|------|------|----|------|------------------------|-----------------------------|-------|-------|------|------|------|------|------|------|----|------|------|
| FMH1R     | 1 / 9                            | 10   | 25   | 31.7 | 30 | 15   | 5 - 8                  | FKT1-2                      | 6.5   | 6.5   | 19.7 | 32.7 | 11.4 | 17   | 19.6 | 14.2 | 12 | -    | 13   |
| FMH2R     | 2 / 15                           | 16.1 | 33.3 | 40   | 32 | 15   | 5 - 8.5                | FKT1-2                      | 6.5   | 6.5   | 21.8 | 34.7 | 11.4 | 25.5 | 27.8 | 16   | 12 | 14   | 13.1 |
| FMH3R     | 3 / 25                           | 27.8 | 47   | 53.7 | 35 | 15   | 9 - 11                 | FKT3-4                      | 9     | 9     | 32   | 37.7 | 11.4 | 39   | 41.6 | 20   | 18 | 26.1 | 14   |
| FMH4R     | 4 / 37                           | 44.4 | 63.5 | 70.2 | 41 | 15   | 8.5 - 11               | FKT3-4                      | 9     | 9     | 50   | 43.7 | 11.4 | 55.6 | 58   | 26   | 18 | 45   | 19   |
| FMH5R     | 5 / 50                           | 42   | 61.1 | 67.8 | 41 | 17.7 | 10 - 12.5              | FKT5                        | 11.5  | 11.5  | 48   | 43.7 | 14.3 | 53.4 | 55.7 | 26   | 18 | 42.6 | 19   |



| No. | St. | Part                | Type Description / Material |
|-----|-----|---------------------|-----------------------------|
| 6   | 1   | Rubber bushing      | Elastomer                   |
| 5   | 2   | Knurled thumb screw | FRS1/5 4-40 / Brass         |
| 4   | 1   | Plate insert        | Plastic                     |
| 3   | 1   | Cable clamp         | Steel                       |
| 2   | 4   | Screw               | Case hardened steel         |
| 1   | 1   | Hood                | FMH1-5 / Zinc die-cast      |

| Measurement without tolerance acc. to ISO 2768-m |                    | SCALE | TITLE |
|--|--------------------|-------|-------|
| NAME / DATE                                      | Anke Meyer-Richter | 2:1   |       |
| DRAWN  | Beate Willek       |       |       |
| CHECKED  | 04/03/2013         |       |       |

| REV. | DATE       | CH-NO. | ORIGINAL DIN A3-DRAWING AS A FILE |
|------|------------|--------|-----------------------------------|
| 3    | 20-02-2013 | 23399  |                                   |
| 2    | 04-12-2012 | 23335  |                                   |
| 1    |            |        |                                   |

| REV. | DATE       | CH-NO. | ORIGINAL DIN A3-DRAWING AS A FILE |
|------|------------|--------|-----------------------------------|
| 3    | 20-02-2013 | 23399  |                                   |
| 2    | 04-12-2012 | 23335  |                                   |
| 1    |            |        |                                   |

| REV. | DWG. NO. | REPLACEMENT FOR: |
|------|----------|------------------|
| 3    | FMH1-5R  | FMH1-5R ACAD     |

max. torque are 40 Ncm  
Part-No. 6 not mounted

## X-ON Electronics

Largest Supplier of Electrical and Electronic Components

*Click to view similar products for [fct electronics manufacturer](#):*

Other Similar products are found below :

[F2W2SC-1002](#) [FMK3-K201](#) [FT2W2SC-K121](#) [K761](#) [24P104C24P1-006](#) [SDB15P159S-060](#) [SHD15P15S-012](#) [SHD15P15S-036](#) [FU27W2S7-K121](#) [2761](#) [ICD040GVP163D-03](#) [ICD040GVP163D-25](#) [10056427-1050011LF](#) [155298-002](#) [155286-001](#) [172704-0016](#) [173112-0413](#) [173113-0152](#) [173109-0036](#) [111-0098-994](#) [173107-0568](#) [FM24W7P-K120](#) [FM9W4P-K120](#) [FWDR15S](#) [RB09P09P-006](#) [FLW0915S7](#) [FT2W2PC-K120](#) [25P203C25P2-003](#) [K1003](#) [10112041-2020HLF](#) [173112-0077](#) [173112-0074](#) [173114-0092](#) [10046971-019LF](#) [10093084-2010LF](#) [FWDR09S1](#) [SHD26P26S-012](#) [FWDR15P](#) [74977-101001LF](#) [FM25W3PA-K120](#) [173112-0073](#) [151-2811-010](#) [91910-21169LF](#) [SHD15P15S-060](#) [FKC3GNME](#) [FKT5](#) [CT50-78P7](#) [HM2R89PA8100N9LF](#) [FM27W2SA-K121](#) [73231-1321](#)