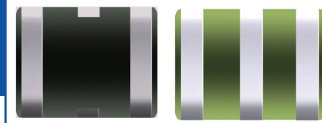


2.5X2.0mm INDUSTRIAL GRADE BUILT-IN CAPACITANCE CERAMIC RESONATOR



2.5 x 2.0 x 1.2mm

AWSCR-CW

RoHS/RoHS II compliant
Pb in ceramic, exemption (7c-I)

Moisture Sensitivity Level (MSL) – This product is not Moisture Sensitive - MSL = 1

➤ **FEATURES:**

- Low resonant impedance
- Built-in load capacitors
- IR reflow capable

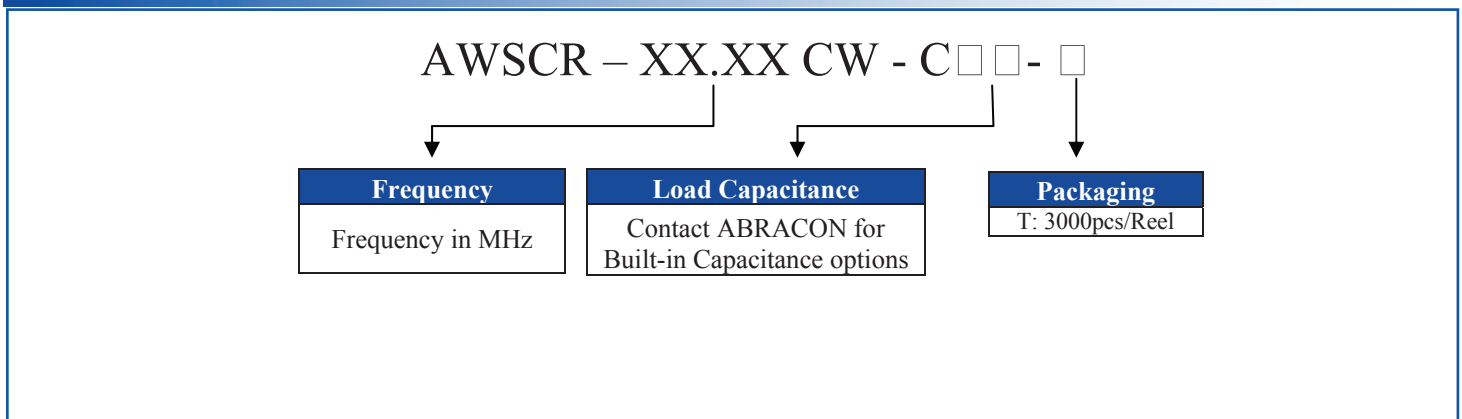
➤ **APPLICATIONS:**

- Remote controls, Microprocessor clocks, Mobile phones, DVD & CD-Roms, Electric appliances
- Consumer electronics

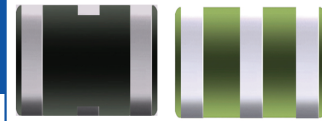
➤ **STANDARD SPECIFICATIONS:**

| Parameters | Minimum | Typical | Maximum | Units | Notes |
|--------------------------------------|------------------|---------|----------|-------|-----------------------|
| Frequency Range | 20.00 | | 60.00 | MHz | |
| Resonant Impedance (Ro) | | | 60 | Ω | 20.00 MHz – 25.99 MHz |
| | | | 50 | | 26.00 MHz – 35.00 MHz |
| | | | 50 | | 35.01 MHz – 60.00 MHz |
| Built-in Load Capacitance (C1=C2) | 10 – 20% | 10 | 10 + 20% | pF | 20.00 MHz – 25.99 MHz |
| | 5 – 20% | 5 | 5 + 20% | | 26.00 MHz – 35.00 MHz |
| | 5 – 20% | 5 | 5 + 20% | | 35.01 MHz – 60.00 MHz |
| Frequency Tolerance @25 °C | -0.5 | | 0.5 | % | |
| Frequency Stability @ -25°C to +85°C | -0.2 | | 0.2 | % | |
| Withstanding Voltage | | 50 | | V | DC , 1 min |
| Rating Voltage | (1) D.C. Voltage | | 6 | V | |
| | (2) A.C. Voltage | | 15 | Vp-p. | |
| Insulation Resistance | 100 | | | MΩ | 10V, 1min |
| Operation Temperature | -25 | | 85 | °C | |
| Storage Temperature | -55 | | 85 | °C | |
| Aging Rate (Fosc) (10 years) | -0.2 | | 0.2 | % | From Initial Value |

➤ **OPTIONS AND PART IDENTIFICATION:**



2.5X2.0mm INDUSTRIAL GRADE BUILT-IN CAPACITANCE CERAMIC RESONATOR



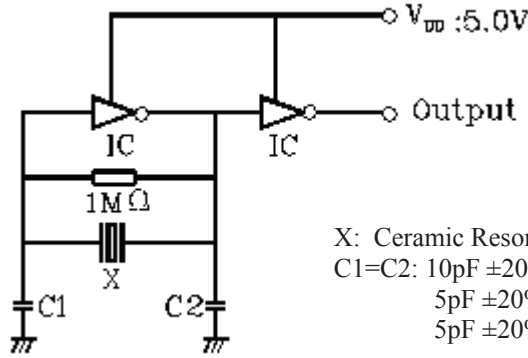
2.5 x 2.0 x 1.2mm

AWSCR-CW

RoHS/RoHS II compliant
Pb in ceramic, exemption (7c-I)

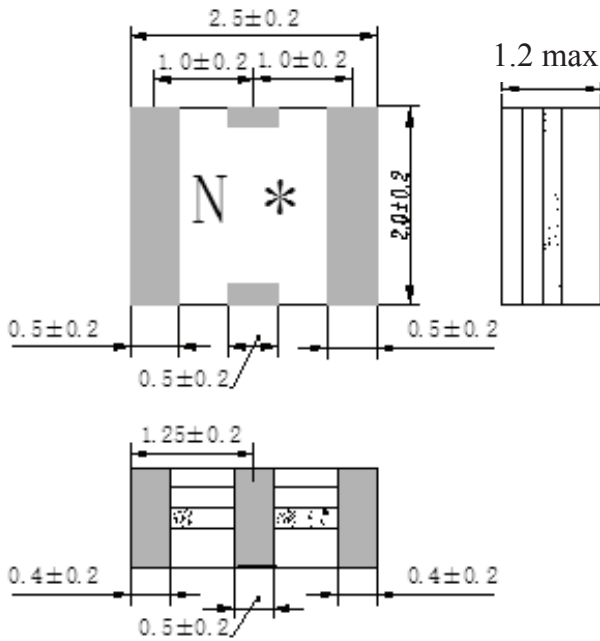
TEST CIRCUIT:

Parts shall be measured under a condition (Temp.: 20±15°C, Humidity: 65±20% R.H.) unless the standard condition (Temp: 25±3°C, Humidity: 65±10% R.H.) is regulated to measure



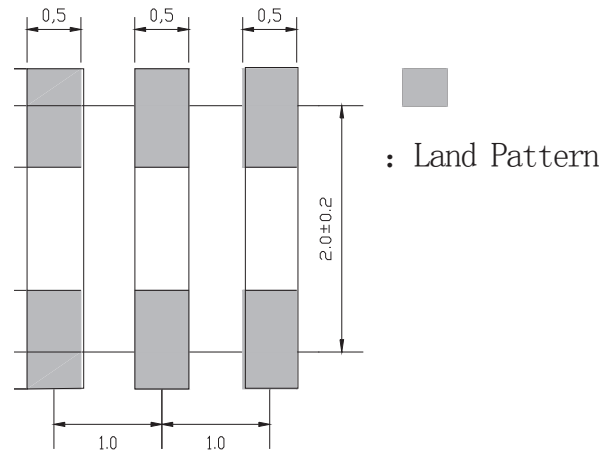
X: Ceramic Resonator
 C1=C2: 10pF ±20% (20.00MHz~25.99MHz)
 5pF ±20% (26.00MHz~35.00MHz)
 5pF ±20% (35.01MHz~60.00MHz)

OUTLINE DIMENSION:



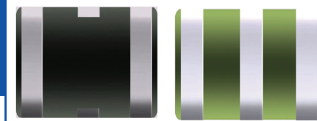
N: Frequency Code
 *:EIAJ Monthly Code

Recommended Land Pattern



Dimension: mm

2.5X2.0mm INDUSTRIAL GRADE BUILT-IN CAPACITANCE CERAMIC RESONATOR

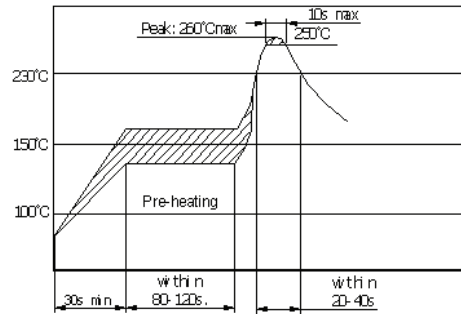


2.5 x 2.0 x 1.2mm

AWSCR-CW

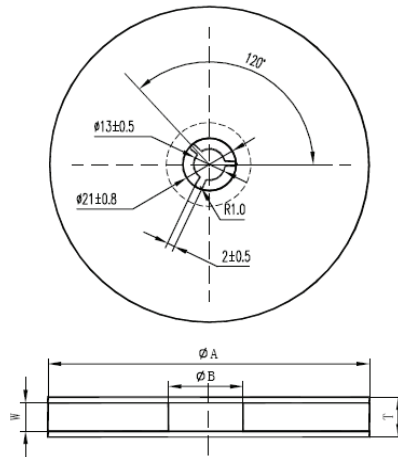
RoHS/RoHS II compliant
Pb in ceramic, exemption (7c-I)

SUGGESTED REFLOW PROFILE

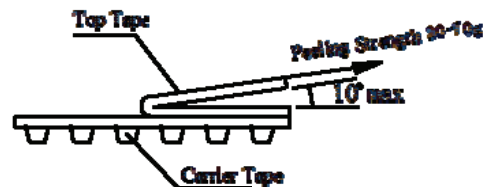
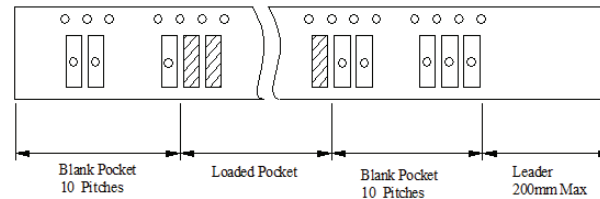


TAPE & REEL:

T: tape and reel (3,000pcs/reel)



| ϕA | ϕB | W | T | Carrier tape size |
|-------------|----------|---------|----------|-------------------|
| 180 \pm 3 | 60 min. | 8.4 min | 12.4 max | 8 |



Note: upon opening the original packaging, it is recommended that the product be used within 1 year. If the product will not be used within 1 year, it is recommended that the product be re-sealed in airtight packaging according to MSL 1 requirements to maintain solderability.

Dimension: mm

CAUTION:

- (1) Do not apply excess mechanical stress to the component body or terminations. Do not attempt to re-form or bend the components as this will cause damage to the component.
- (2) This component is not hermetically sealed. Do not clean or wash the component.
- (3) Reflow Soldering: Do not use strong acidity flux, such as flux with chlorine content of greater than 0.2wt% during Reflow Soldering.
- (4) Do not expose the component to open flame.
- (5) This specification applies to the functionality of the component as a single unit.
- (6) Storage Conditions: If the product is to be stored for a period greater than Six Months after the Delivery Date, it is recommended that customers confirm the solderability and characteristics for the product prior to use.
- (7) This product is not recommended for use in the following applications: Automotive, Medical, Military, Safety, or any other high-reliability, life dependant applications. Contact Abracon Corporation prior to using this product when in doubt.

ATTENTION: Abracon Corporation's products are COTS – Commercial-Off-The-Shelf products; suitable for Commercial, Industrial and, where designated, Automotive Applications. Abracon's products are not specifically designed for Military, Aviation, Aerospace, Life-dependant Medical applications or any application requiring high reliability where component failure could result in loss of life and/or property. For applications requiring high reliability and/or presenting an extreme operating environment, written consent and authorization from Abracon Corporation is required. Please contact Abracon Corporation for more information.

ABRACON IS
ISO9001:2008
CERTIFIED



Visit www.abracon.com for Terms & Conditions of Sale **Revised: 08.08.14**
30332 Esperanza, Rancho Santa Margarita, California 92688
tel 949-546-8000 | fax 949-546-8001 | www.abracon.com

X-ON Electronics

Largest Supplier of Electrical and Electronic Components

Click to view similar products for [Resonators](#) category:

Click to view products by [ABRACON](#) manufacturer:

Other Similar products are found below :

[B39431R820H210](#) [CSAC2.00MGCM-TC](#) [ECS-HFR-40.00-B-TR](#) [CSTLS4M00G53Z-A0](#) [ZTB455E](#) [ECS-CR2-16.00-A-TR](#) [ECS-HFR-20.00-B-TR](#) [ECS-CR2-20.00-A-TR](#) [RO3164E-3](#) [ASR418S2-T](#) [CSTNE10M0G520000R0](#) [CSTLS8M00G53093-A0](#) [CSTNE12M0G52A000R0](#) [CSTLS18M4X54-A0](#) [CSTLS16M9X53Z-B0](#) [CSTLS24M0X51-A0](#) [CSTLS25M0X51-B0](#) [CSTLS18M0X51-B0](#) [CSTLS4M00G53093-A0](#) [CSTLS18M4X53-A0](#) [CSTNE16M0V510000R0](#) [CSTLS30M0X53-B0](#) [CSTLS33M8X53-B0](#) [CSTLS16M9X53-A0](#) [CSTLS6M40G56-B0](#) [CSTLS6M25G56-A0](#) [CSTNE14M7V510000R0](#) [CSTLS18M4X53-B0](#) [CSTLS33M0X51-B0](#) [CSTLS5M50G56-B0](#) [7B008000I01](#) [7D038400I01](#) [TAXM24M2ILDBET2T](#) [TAXM26M2IHDBET2T](#) [146-32.768-12.5-20-20/A](#) [3225-24.00-12-10-10/A](#) [7B009843M01](#) [CF4016M00009T8188042](#) [S32400001B0730D1JB](#) [X252016MLB4SI](#) [Q24FA20H00389](#) [CSTLS16M0X54-B0](#) [CSTLS4M19G56-B0](#) [9AC04194152080D2JB](#) [CST3.58MGW](#) [CSTCR4M91G55B-R0](#) [CSTLS3M68G56-B0](#) [S2100327072090](#) [FC-12M32.768KHZ9PF20PPM](#) [ASR315S2](#)