

Features:

- High segment intensity
- Wide viewing angle
- Range of colours
- Grey face colour
- White segment colour

Available options:

- Alternative face and segment colour
- Alternative font
- Long terminal pins
- Alternative emitting colour
- Low current version

Font design

Product not shown
actual size



◆ Also available from **Farnell**

Electro / Optical Characteristics - $I_F = 20 \text{ mA}$ $T_a = 25^\circ \text{ C}$

| Part Number Common Cathode | Part Number Common Anode | Emitting Colour | Wavelength | Forward Voltage V_F | | Luminous Intensity I_V | |
|-------------------------------|-----------------------------|-----------------|--------------|-----------------------|------|----------------------------|---------|
| | | | | typical | max | min | typical |
| FN1-0311L00GW | FN1-0312L00GW | GaAlAs Red | 660 Peak | 1.85 | 2.00 | - | 12 |
| FN1-0311300GW | FN1-0312300GW | HE Red | 640 Peak | 2.05 | 2.50 | - | 3 |
| FN1-0311Y05300GW | FN1-0312Y05300GW | Yellow | 591 Peak | 2.05 | 2.40 | - | 18 |
| FN1-0311200GW | FN1-0312200GW | Green | 568 Peak | 2.10 | 2.50 | - | 5 |
| FN1-0311B2300GW ◆ | FN1-0312B2300GW ◆ | Blue | 470 Dominant | 3.20 | 3.70 | - | 12 |
| FN1-0311B2200GW ◆ | FN1-0312B2200GW ◆ | Blue | 460 Dominant | 3.20 | 3.70 | - | 12 |
| Units | | | nm | V | | mcd / seg. (digit average) | |

Maximum Ratings $T_a = 25^\circ \text{ C}$ - Derate above 25° C

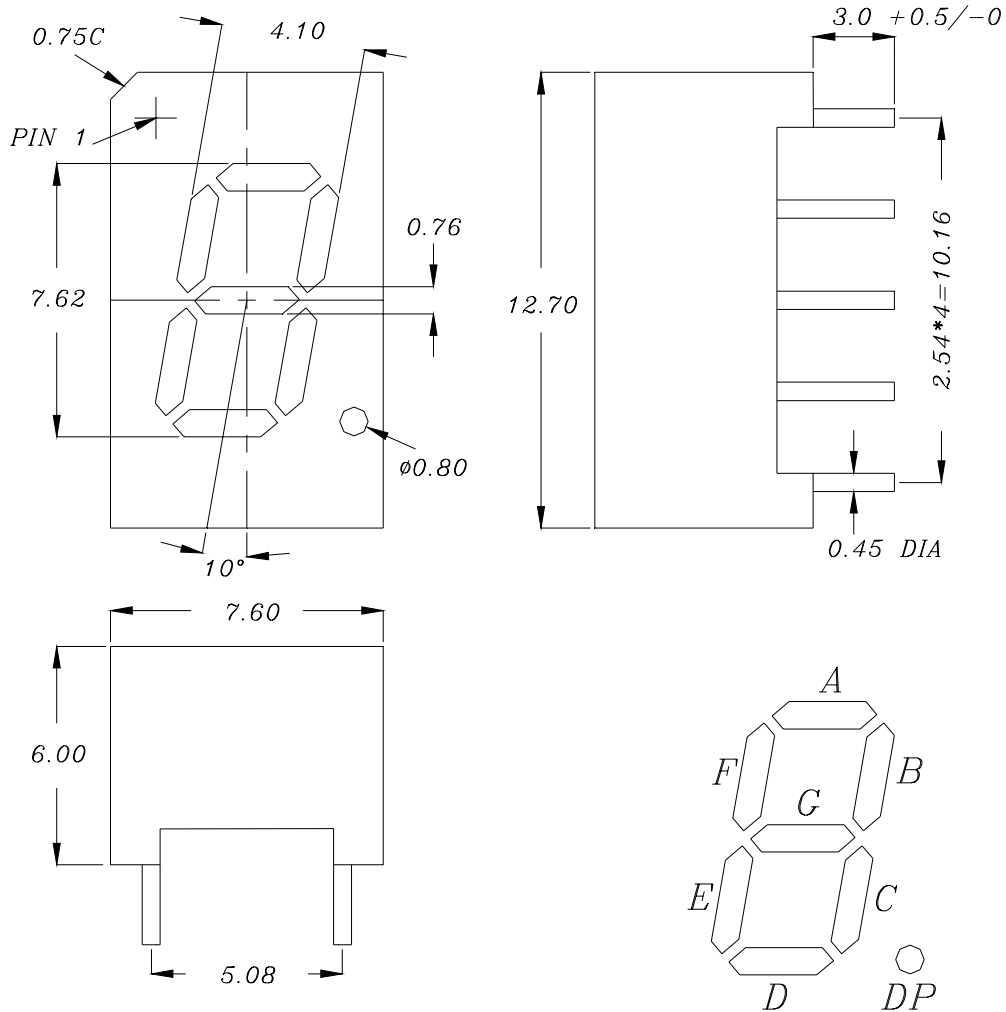
| Characteristic | Condition | Symbol | Rating | Units |
|----------------------------|----------------------------------|-----------|--------------|--------------------|
| Pulse Forward Current | 0.1 duty cycle @ 1KHz | I_{FP} | 100 | mA |
| DC Forward Current | | I_F | 25 | mA |
| Reverse Voltage | $I_R = 10 \mu\text{A}$ | V_R | 5 | V |
| Operating Temperature | | T_{opr} | - 25 to + 80 | $^\circ \text{ C}$ |
| Storage Temperature | | T_{stg} | - 30 to + 85 | $^\circ \text{ C}$ |
| Lead soldering temperature | 1.6 mm from body - max 3 seconds | | 260 | $^\circ \text{ C}$ |

Note

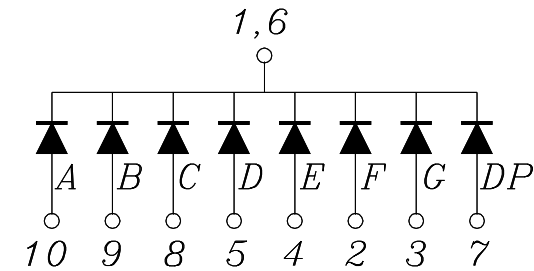
Industry standard procedures regarding static must be observed when handling product produced with blue die material.

It is the responsibility of the customer to verify the suitability of the product for the application.

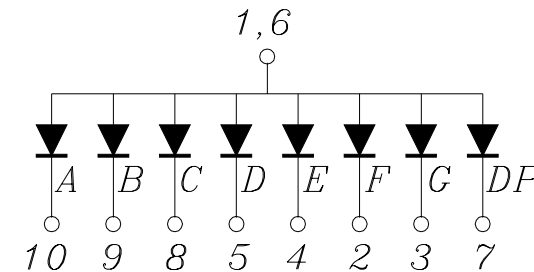
Package Outline



Common Cathode



Common Anode



Tolerance ± 0.25 mm unless stated

X-ON Electronics

Largest Supplier of Electrical and Electronic Components

Click to view similar products for [FORGE manufacturer](#):

Other Similar products are found below :

[FN1-1002W4SM00BW](#) [FN1-0802B220SGW](#) [FND-5882W4SM00BW35](#) [FND-5881W4SM00BW35](#) [FN1-0801W4SM0SBW](#) [FEM-0801W4SM0BGWT1](#) [FN1-1001W4SM00BW](#) [FN1-0312B2300GW](#) [FN1-0562B230SGW](#) [FN1-0392B230JGW](#) [FN1-0801B230SGW](#) [FN1-2301W4SM00BW](#) [FND-5572W4SM00BW35](#) [FEM-0801B350BGWT1](#) [FEM-1801B350BGWT1](#) [FEM-0801G0430BGWT1](#) [FEM-0561R340BGWT1](#) [FEM-0561G0430BGWT1](#) [FN1-0561B230SGW](#) [FNL-U501B22WCSL](#) [FNL-U300B23WCSL](#) [FNL-U300B22CDSL](#) [FNL-U300B22WCSL](#) [FN1-0311B2300GW](#) [FNL-U500B22CDSL](#)