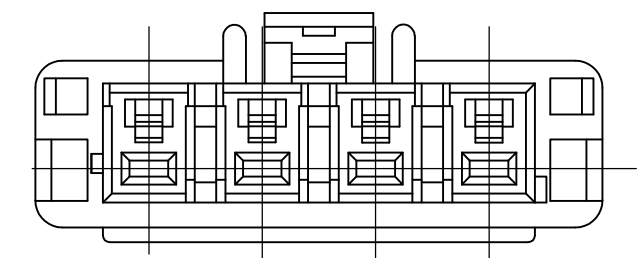
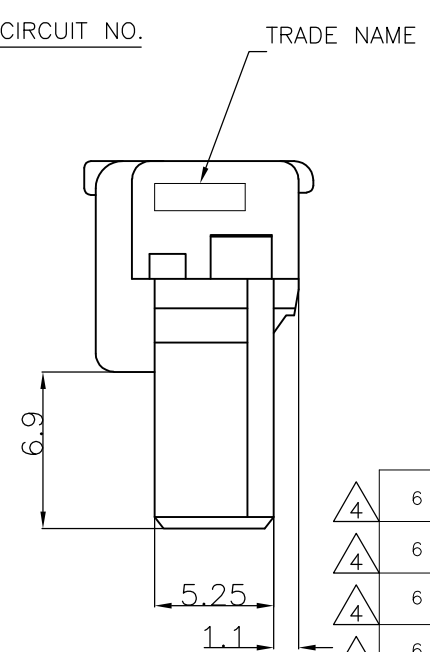
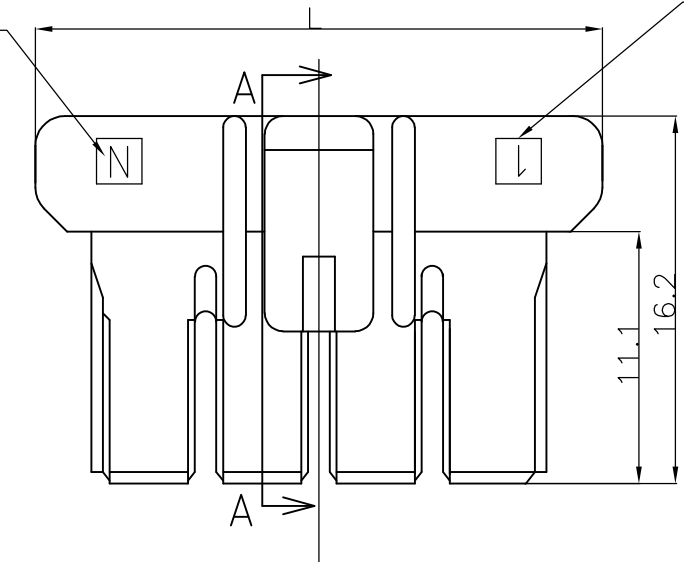
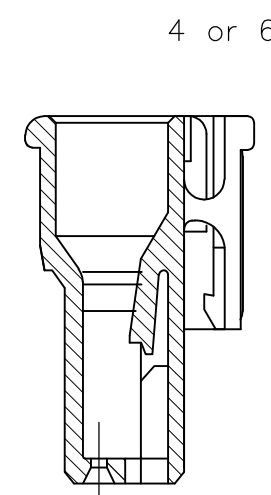
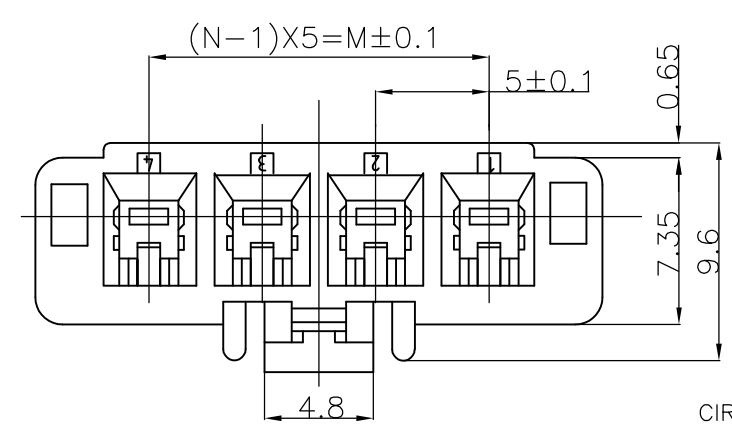


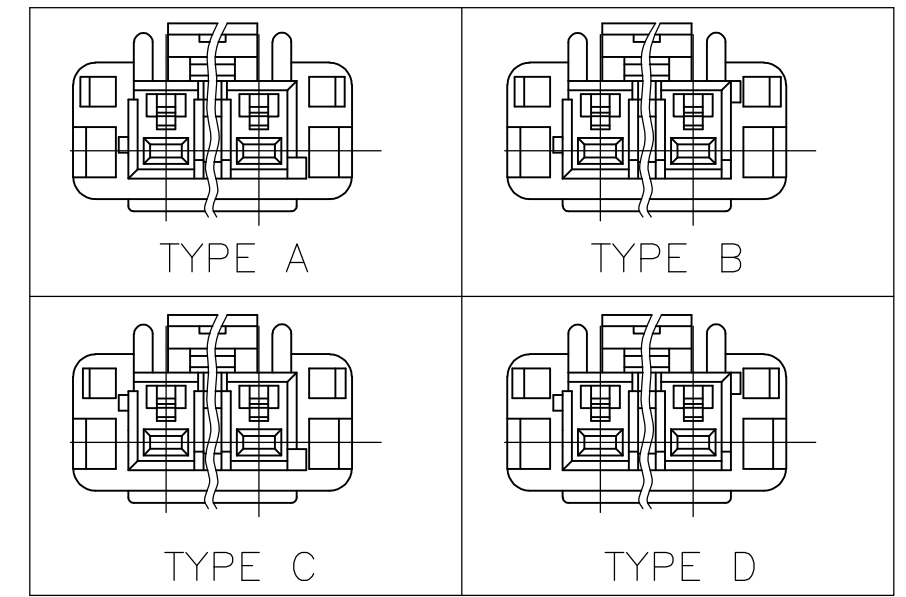
THIS DRAWING IS UNPUBLISHED. RELEASED FOR PUBLICATION
 © COPYRIGHT - By - ALL RIGHTS RESERVED.

REVISIONS				
P	LTR	DESCRIPTION	DATE	APVD
	D2	REVISED PER ECR-16-007444	30MAY2016	NK SC



SECT A-A

THE TYPE OF KEYING



HOSING	6 / 6 NYLON GRASS FILLED/ NYLON 6
NAME	MATERIAL

4	6	25	35	1376397-1	3-1376385-4	TYPE D	YELLOW	6Pos	3-1376391-4
4	6	25	35	1376397-1	2-1376385-3	TYPE C	BLUE	6Pos	2-1376391-3
4	6	25	35	1376397-1	1-1376385-2	TYPE B	RED	6Pos	1-1376391-2
4	6	25	35	1376397-1	1376385-1	TYPE A	NATURAL	6Pos	1376391-1
3	4	15	25	1376396-1	1-1376384-5	TYPE B	RED	4Pos	1-1376390-5
3	4	15	25	1376396-1	1-1376384-6	TYPE A	NATURAL	4Pos	1376390-5
4	4	15	25	1376396-1	3-1376384-4	TYPE D	YELLOW	4Pos	3-1376390-4
4	4	15	25	1376396-1	2-1376384-3	TYPE C	BLUE	4Pos	2-1376390-3
4	4	15	25	1376396-1	1-1376384-2	TYPE B	RED	4Pos	1-1376390-2
4	4	15	25	1376396-1	1376384-1	TYPE A	NATURAL	4Pos	1376390-1
	N	M	L	APPLICABLE PLATE. P/N	MATING CONN. P/N	THE TYPE OF KEYING	Color	Pos	PART NO.

1 MATING CONN. P/N
 HEADER ASS'Y :SEE TABLE
 REC CONTACT ;1376347-1,1376348-1

2 PARTS COMPLY WITH GLOW WIRE
 REQUIREMENT FOR PARTS OF NON-METALLIC
 MATERIAL SUPPORTING A CURRENT-CARRYING
 CONNECTION DETAILED IN IEC 60335-1,
 SECTION 30 (GWT) .

- 3 NYLON 6, GWT, V-2.
- 4 NYLON 66, GWT, V-0.

THIS DRAWING IS A CONTROLLED DOCUMENT.

DWN	A.OISHI	31AUG00
CHK	Y.KASHIWA	28AUG'00
APVD	Y.KASHIWA	28AUG'00
PRODUCT SPEC	108-5699	
APPLICATION SPEC	104-5292	
WEIGHT	A3 00779	
CUSTOMER DRAWING		

STE TE Connectivity

5.0 POWER KEY CONNECTOR
 4P PLUG HOUSING

SIZE	CAGE CODE	DRAWING NO	RESTRICTED TO
A3	00779	C-1376390	-
SCALE	SHEET	REV	
3:1	1 OF 1	D2	

X-ON Electronics

Largest Supplier of Electrical and Electronic Components

Click to view similar products for [Automotive Connectors](#) category:

Click to view products by [TE Connectivity](#) manufacturer:

Other Similar products are found below :

[003-018-000](#) [600858](#) [60403001](#) [60993906-B](#) [60993913-B](#) [629515004020001](#) [M902-2131](#) [M902-2161](#) [M902-2344](#) [72.330.1035.1](#)
[73.353.4028.0](#) [F118010](#) [F119300-B](#) [F132210](#) [F132210-B](#) [F166900](#) [F180100](#) [F258300](#) [F258300-B](#) [F294300-B](#) [F339100](#) [F339700](#) [F358300-](#)
[B](#) [F374110](#) [F407400](#) [F412210](#) [F427600](#) [F444110](#) [F487000](#) [F495100-B](#) [F500900-B](#) [F509500B-B](#) [770444-1](#) [776880-1](#) [827153-1](#) [881735-1](#)
[8N1515-32-24P](#) [9-1326727-8](#) [9-1326729-8](#) [925467-1](#) [925474-1](#) [928905-1](#) [936398-2](#) [964562-1](#) [964562-4](#) [964731-2](#) [965051-1](#) [968782-1](#)
[GT17SA-8DS-HU](#) [GT17VS-10DP-5.2CF](#)