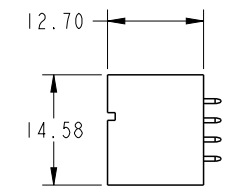
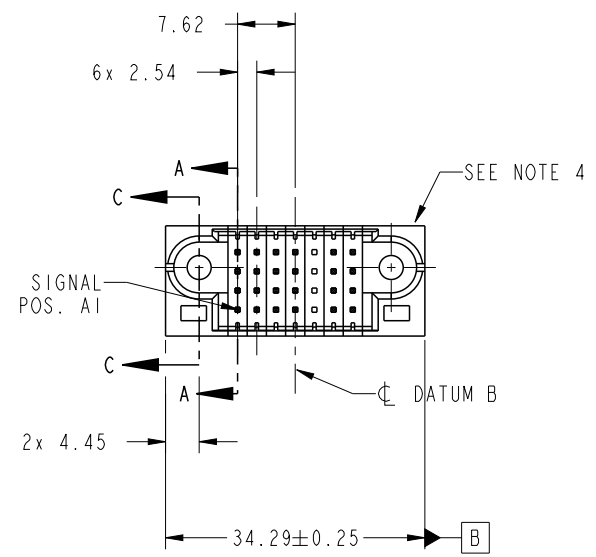




Copyright FCI.

PRODUCT NO. 51952-270-- NOTE ③	ROWS D C B A	SIGNAL						
		E1	1	2	3	4	5	6



CODE	DIM "M" MATING LENGTH	CONTACT TYPE
M	[6.86]	SIGNAL
X	OMITTED	

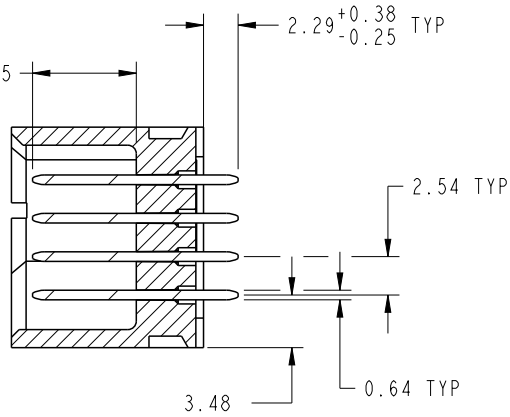
spec ref	See Notes			dr	Ruan MT	2013/12/23	projection 	MM ←→	size	A4	scale	1:1
tolerance std	TOLERANCES UNLESS OTHERWISE SPECIFIED			eng	Luo Weller	2014/01/07			ecn no	-		
See Notes				chr	-	-			rel level	Released		
surface ✓	linear	0.X	±0.50	FCI www.fci.com	title	28S		dwg no	51952-270		rev	A
		0.XX	±0.25			VERTICAL SOLDEER HEADER						
		0.XXX	±0.10			cat. no.	&model_name					
angular	0°	±2°										

PrdE File - REV C - 2009-06-09

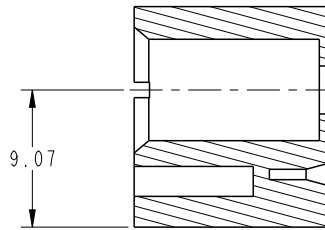
PRODUCT NUMBER

51952-270--
NOTE 3

DIM "M" ±0.25



SECTION A-A
SCALE 2:1



SECTION C-C
SCALE 2:1

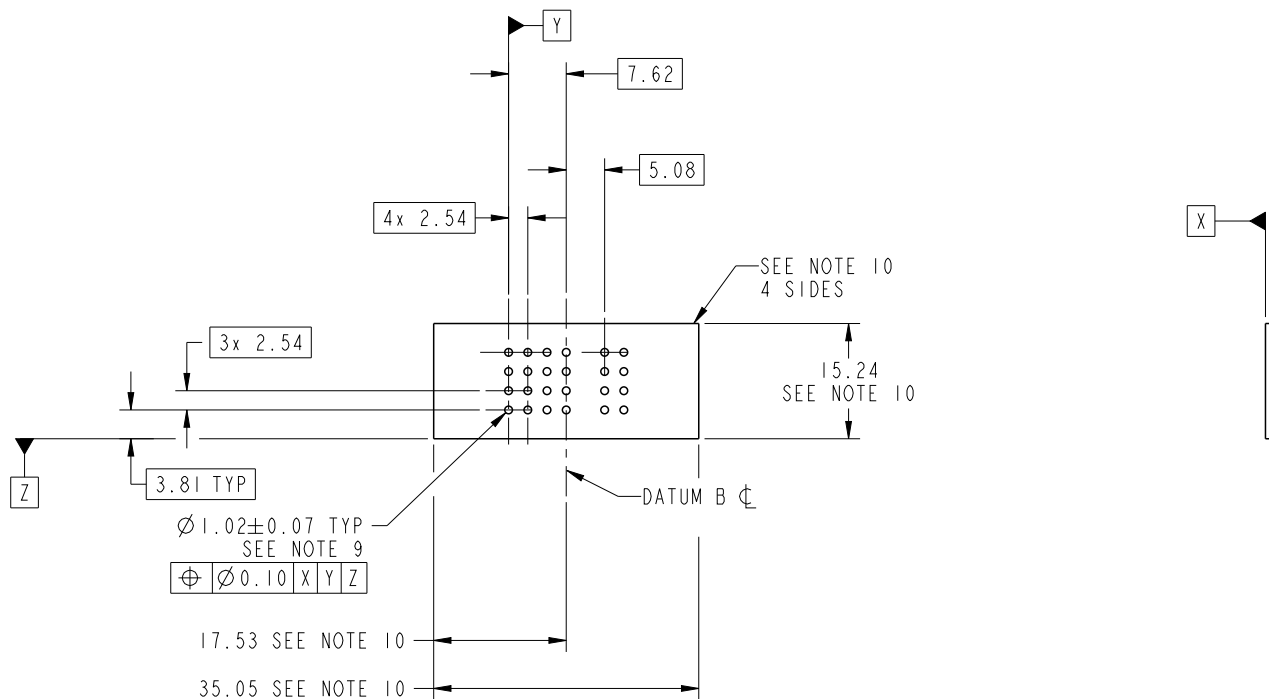
dr	Ruan MT	2013/12/23	projection 	MM 	size	A4	scale	1:1
eng	Luo Weller	2014/01/07			ecn no	-		
chr	-	-			rel level	Released		
appr	Pei-Ming Zheng	2014/01/07	product family	PwrBlade				
	title	28S VERTICAL SOLDEER HEADER		dwg no	51952-270		rev	A
www.fci.com	cat. no.	&model_name	Product - Customer Drw		sheet 2 of 4			



Copyright FCI.

PRODUCT NUMBER

51952-270__
NOTE 3



RECOMMENDED PCB LAYOUT

dr	Ruan MT	2013/12/23	projection 	MM 	size	A4	scale	1:1
eng	Luo Weller	2014/01/07			ecn no	-		
chr	-	-			rel level	Released		
appr	Pei-Ming Zheng	2014/01/07	product family	PwrBlade				
	title	28S VERTICAL SOLDEER HEADER		dwg no	51952-270		rev	A
www.fci.com	cat. no.	&model_name	Product - Customer Drw		sheet 3 of 4			

PRODUCT NUMBER

51952-270__
NOTE 3

NOTES:

1. DIMENSIONS AND TOLERANCES ARE IN ACCORDANCE WITH ASME Y14.5M, 1994 UNLESS OTHERWISE SPECIFIED.

CONNECTOR NOTES:

- ② HOUSING MATERIAL: UL 94 V-0 GLASS FILLED HIGH-TEMP THERMOPLASTIC
POWER CONTACT MATERIAL: COPPER ALLOY
SIGNAL PIN MATERIAL: COPPER ALLOY
- 3. SEE ITEM 1 & 2 IN PRINT 10064183 FOR PLATING SPEC OF 51952-270 AND 51952-270LF RESPECTIVELY.

④ MANUFACTURER'S NAME, DATE CODE AND OPTIONAL P/N TO APPEAR ON THIS SURFACE. THE MARK CAN BE OMITTED IF THERE IS NOT ENOUGH SPACE ON THIS SURFACE.

5. PRODUCT SPECIFICATION GS-12-149.
APPLICATION SPECIFICATION BUS-20-067.

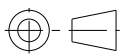
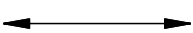

6. PACKAGED IN TRAYS.

PCB NOTES:

- 7. ALL HOLE DIAMETERS ARE FINISHED HOLE SIZE.
- 8. MOUNTING HOLES, WHERE APPLICABLE, ARE UNPLATED.

⑨ $\varnothing 1.151 \pm 0.025$ DRILLED HOLES PLATED WITH 0.008 MIN SnPb OR Sn OVER .001 [0.03] TO 0.08 Cu PLATING TO ACHIEVE $\varnothing 1.02 \pm 0.07$ HOLE.

⑩ CONNECTOR KEEP-OUT ZONE.

dr	Ruan MT	2013/12/23	projection 	MM 	size	A4	scale	1:1
eng	Luo Weller	2014/01/07			ecn no	-		
chr	-	-			product family	PwrBlade	rel level	Released
appr	Pei-Ming Zheng	2014/01/07			title	28S VERTICAL SOLDEER HEADER		dwg no 51952-270 rev A
www.fci.com		cat. no.	&model_name	Product - Customer Drw		sheet 4 of 4		



Copyright FCI.

X-ON Electronics

Largest Supplier of Electrical and Electronic Components

Click to view similar products for [Headers & Wire Housings](#) category:

Click to view products by [FCT Electronics](#) manufacturer:

Other Similar products are found below :

[95000-104TRLF](#) [10135584-644402LF](#) [DF62W-EP2022PCA](#) [95000-106TRLF](#) [DF62W-2022SCA](#) [DF62W-EP2022PC](#) [2203348](#) [DF62W-2022SC](#) [1084018](#) [1029039](#) [1084017](#) [802-10-012-10-002000](#) [1112640](#) [1112639](#) [891-007-9SS-BST1T](#) [000-34000](#) [0008550134](#) [0009482033](#) [0009507031](#) [57102-F02-18ULF](#) [57102-S06-03LF](#) [57202-S52-04LF](#) [PCN6-15S-2.5E](#) [0039019024](#) [58102-G61-06LF](#) [582553-1](#) [0009485154](#) [0009508121](#) [0022285053](#) [0050291907](#) [018731A](#) [LY20-4P-DT1-P1E-BR](#) [02.125.8002.8](#) [60101931](#) [60598-1 \(Cut Strip\)](#) [M1625-3R/100](#) [61062-3](#) [61082-181009](#) [CSU011177004](#) [636-1427](#) [638009-1](#) [641938-9](#) [641991-4](#) [644168-1](#) [644827-2](#) [647662-1](#) [65039-019ELF](#) [65692-001LF](#) [65781-018](#) [65781-047](#)