




## Product information EM12M4FIX Au

Industrial Connecting Solutions:Archive - Industrial Connectors:Circular Connectors E-series M12 / M12 push-pull (Archive):with screw locking:Appliance connector for front panel - front panel mounting:EM12M4FIX Au

<http://e-catalog.hirschmann.com/link/57078-24228-62529-24256-24257-24276-38182/en/conf/ui/state>

Name	EM12M4FIX Au
	
	Appliance connector, with wire ends, M16 x 1.5 front mounting thread, screw- / M12 push-pull snap locking, O-ring included
<b>Delivery informations</b>	
Availability	no longer available
<b>Product description</b>	
Description	Appliance connector, with wire ends, M16 x 1.5 front mounting thread, screw- / M12 push-pull snap locking, O-ring included
Type	EM12M4FIX Au
Order No.	934 449-001
Type of contact	male
Number of contacts	4
Cable material	PVC
Cable length	0.2 m
Conductor size	0.34 mm <sup>2</sup>
Standard	IEC 61076-2-101 (Ed. 1)/ IEC 60947-5-2
Housing Color	metallic
<b>Technical data</b>	
Pin dimensions	1 mm
Wire stranding	7 x 0.25 mm
Rated voltage	AC/DC 250 V
Rated current	4 A
<b>Material</b>	
Contact material	Cu Zn
Contact surface material	Au
Contact bearer material	PA
Housing material	Cu Zn/Ni
O-Ring	Viton
<b>Environmental conditions</b>	
Protection class (IEC 60529)	IP 67
Pollution severity	3
Temperature range	-25 °C to +90 °C
<b>Inflammability class</b>	
Contact bearer	94 V-2
<b>Approvals</b>	
UL	UL pending
<b>Packing unit</b>	
Packaging unit	100 pieces
<b>Scope of delivery and accessories</b>	
Accessories to order separately	fastening nut ELST M M16, order no. 735 413-002



# HIRSCHMANN

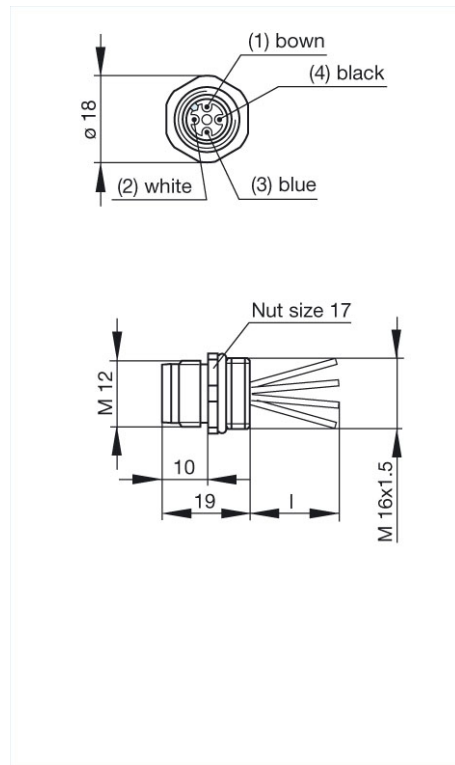
A BELDEN BRAND

Industrial Connecting Solutions:Archive - Industrial Connectors:Circular Connectors E-series M12 / M12 push-pull (Archive):with screw locking:Appliance connector for front panel - front panel mounting:EM12M4FIX Au

<http://e-catalog.hirschmann.com/link/57078-24228-62529-24256-24257-24276-38182/en/conf/uistate>

Picture

Drawing



#### Belden Deutschland GmbH

Im Gewerbepark 2  
58579 Schalksmühle  
Germany  
Phone: +49 7127/14-1806  
E-Mail: [icos-sales@belden.com](mailto:icos-sales@belden.com)

The information published in the websites has been compiled as carefully as possible. It is subject to alteration without notice in technical as well as in price-related/commercial respect. The complete information and data were available on user documentation. Mandatory information can only be obtained by a concrete query.

## X-ON Electronics

Largest Supplier of Electrical and Electronic Components

*Click to view similar products for [hirschmann](#) manufacturer:*

Other Similar products are found below :

[931298001 GSP 211 PG11](#) [934828001 BRSCIS 4D/9](#) [AK2B2540I SW](#) [BSB20KRT](#) [BUELA300KSW](#) [BUELA30KBL](#) [BUELA30KGE](#)  
[930011200 MAB 6](#) [AK2BSW](#) [G 30 KW 3 M](#) [BNC-AL0.64](#) [BUELA300KBL](#) [BUELA300KRT](#) [BUELA30KGN](#) [BUELA30KRT](#) [934066788](#)  
[934061103](#) [934059104](#) [972425002](#) [943301-001](#) [934061704](#) [STAK2](#) [AK2B2540I GN](#) [PRUEF1SW](#) [SPIDER-PL-20-05T1999999TZ9HHHH](#)  
[BAT867-RUSW99AU999AT199L999ZHX](#) [930136106](#) [930317804](#) [934066105](#) [934072100](#) [934076103](#) [934086104](#) [934086188](#) [973929000](#)  
[934157101](#) [930014517 MAS 30](#) [934077106](#) [934077105](#) [934064104](#) [932794001](#) [GECKO 4TX](#) [972309101](#) [934100707](#) [975695700](#)  
[975455709](#) [975455701](#) [973528101](#) [MESAP 43650](#) [KLEPS1600SW](#) [932140100 STAK 3 N SCHWARZ](#)