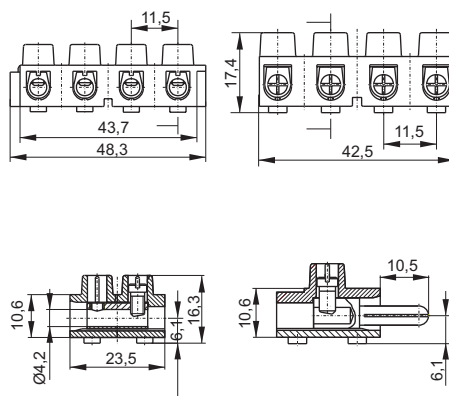


TERMINAL BLOCKS

4-line terminal block GP2,5 4-line terminal block WP2,5



| TYPE | GP2,5 | WP2,5 | GP+WP | GP (8 screws) |
|---|--|--|--|---|
| Catalogue number | 12-610 | 12-620 | 12-630 | 12-612 |
| Colour | white-2 ○ black-3 ● green-5 ● blue-6 ● red-7 ● | white-2 ○ black-3 ● green-5 ● blue-6 ● red-7 ● | white-2 ○ black-3 ● green-5 ● blue-6 ● red-7 ● | white-2 ○ black-3 ● |
| Standard | EN 60998-2-1 EN 60335-1 p.30.1 p.30.2 | EN 60998-2-1 EN 60335-1 p.30.1 p.30.2 | EN 60998-2-1 EN 60335-1 p.30.1 p.30.2 | EN 60998-2-1 EN 60335-1 p.30.1 p.30.2 |
| Nominal cross-section | 2,5mm ² | 2,5mm ² | 2,5mm ² | 2,5mm ² |
| Nominal connectivity: wire/cord | 0,5...2,5mm ² | 0,5...2,5mm ² | 0,5...2,5mm ² | 0,5...2,5mm ² |
| Number of simultaneously connected conductors | 2 | 2 | 2 | 2 |
| Nominal voltage of insulation | 450V | 450V | 450V | 450V |
| Nominal continuous current | 24A | 24A | 24A | 24A |
| Terminal torque | 0,8Nm | 0,8Nm | 0,8Nm | 0,8Nm |
| Stripping length | 7mm | 7mm | 7mm | 7mm |
| Insulating material | polyamide with glass fibre | polyamide with glass fibre | polyamide with glass fibre | polyamide with glass fibre |
| Ambient temperature | -25...+150°C | -25...+150°C | -25...+150°C | -25...+150°C |
| Weight | 19g | 22g | 41g | 20g |

If you are connecting cord use H or HI type sleeve terminals

Equipment and accessories

| EQUIPMENT | PAGE | NAME |
|-----------------|---------|-------|
| Cable terminals | 208-209 | H, HI |

X-ON Electronics

Largest Supplier of Electrical and Electronic Components

Click to view similar products for [Terminal Blocks - Unspecified](#) category:

Click to view products by [POKOJ](#) manufacturer:

Other Similar products are found below :

[RST-20P](#) [TB200-15L1L2QC7](#) [11368](#) [TB100-08BSL10J4](#) [5606874](#) [LZW-B4.2 A12-4160](#) [LZW-B4.6 A12-4660](#) [FCR7900](#) [FCR79001](#)
[88486403](#) [ESKW 1/5 ST E3](#) [88486708](#) [ESKW 1/5 KU](#) [88545276](#) [ESKL 0E PA ST TRA](#) [88838208](#) [ESKW 1/2 KU](#) [88838304](#) [ESKW 1/2 ST](#)
[264-373](#) [LZW-B4.3 A12-4260](#) [HDFK 25 0707743](#) [HDFKV 50 0708522](#) [E.4203](#) [TSCB4-02P-15-01AH](#) [TSCB4-01P-15-01AH](#) [TSCB4-03P-](#)
[15-01AH](#) [294-4002](#) [E.4204](#) [5604707](#) [SLK3/2/D1-D2](#) [88167524](#) [231-127](#) [262-142](#) [264-112](#) [294-4003](#) [FCR7901](#) [FCR79011](#) [CMDDB4/4/BG](#)
[HH-REC](#) [NSE3-WH](#) [ETBF60020H2FLZ](#) [GP+WP A12-6302](#) [4721-P4](#) [4721-P8](#) [2727608](#) [SLK3/3/N-E-L](#) [88167527](#) [294-5012](#)