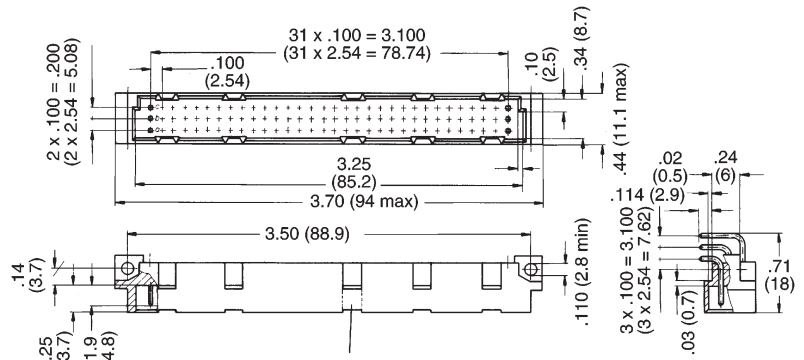
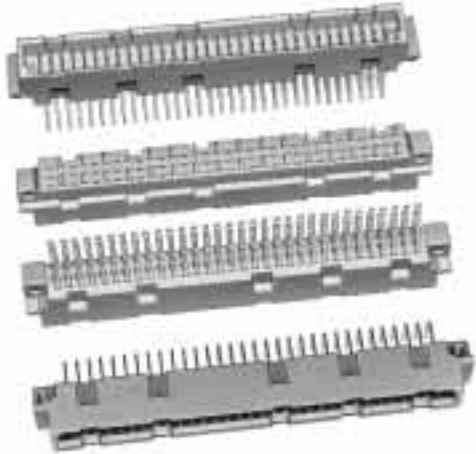
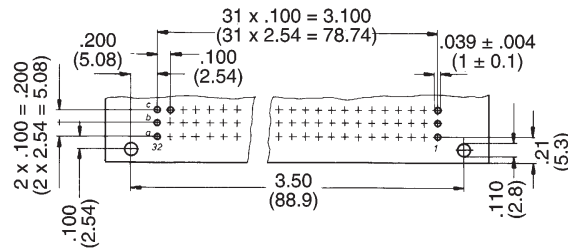


**Type C —
Series 100**

**32, 64 and 96 Contact Male
Connectors — Three Row**



Printed Circuit Layout

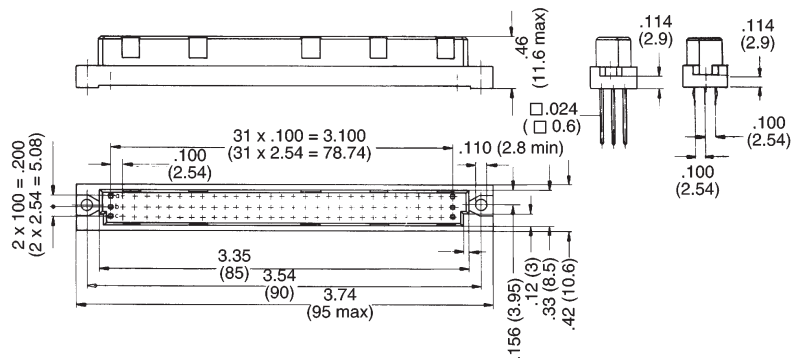


Part Numbers

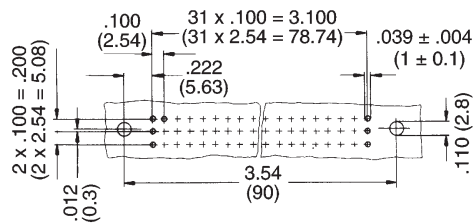
No. of Contacts	Contact Arrangement	Performance Level	Termination Methods				
32	Row a + c All Even Numbers	2	100-932-033	—	—	—	—
		3	100-932-053	—	—	—	—
64	Row a + c	2	100-964-033	100-964-133	—	—	—
		3	100-964-053	100-964-153	—	—	—
96	Fully Equipped	2	100-096-033	100-096-133	100-096-131	100-096-031	100-096-134
		3	100-096-053	100-096-153	100-096-151	100-096-051	100-096-154

**Type C —
Series 100**

**32, 64 and 96 Contact
Female Connectors —
Three Row**



Printed Circuit Layout - Straight Tail Version



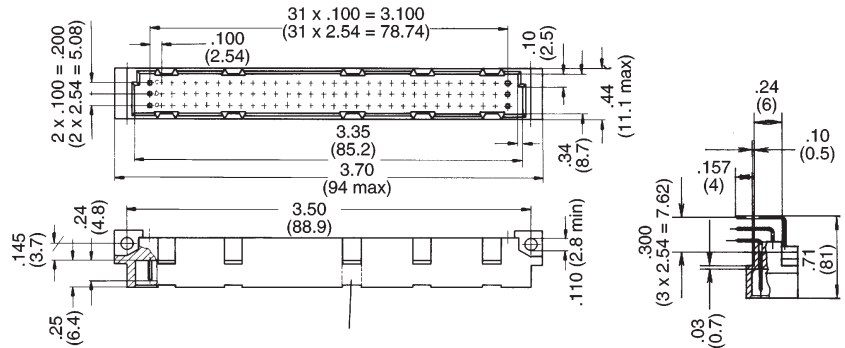
Part Numbers

No. of Contacts	Contact Arrangement	Performance Level	Termination Methods						
32	Row a + c	2	100-932-431*	100-932-432	—	—	100-932-434	100-932-533	—
	All Even Numbers	3	100-932-451	100-932-452	—	—	100-932-454	—	—
64	Row a + c	2	100-964-431	100-964-432	100-964-433	100-964-439	100-964-434	100-964-533	—
		3	100-964-451	100-964-452	100-964-453	100-964-459	100-964-454	—	—
96	Fully Equipped	2	100-096-431	100-096-432	100-096-433	100-096-439	100-096-434	100-096-533	100-096-633*
		3	100-096-451	100-096-452	100-096-453	100-096-459	100-096-454	100-096-553*	100-096-653*

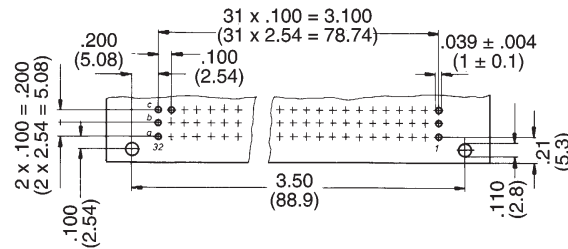
* Contact Factory For Availability ** Printed Circuit Layout On Page 63

**Type C —
Series 100**

**Press Fit
96 Contact Male Connectors
Three Row***



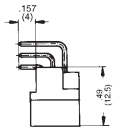
Printed Circuit Layout



Press-Fit Technical Specifications

Compliant Pin	
P.C.B. Thickness	.06 - .13 (1.6 - 3.2 mm)
Finished Hole Size	.037 - .043 (0.94 - 1.09 mm)
Drill Size	.045 ± .0004 (1.15 ^{±0.01} mm)
Copper	100μ" 300μ" (25-76μm)
Tin-Lead	30μ" (6μm min)

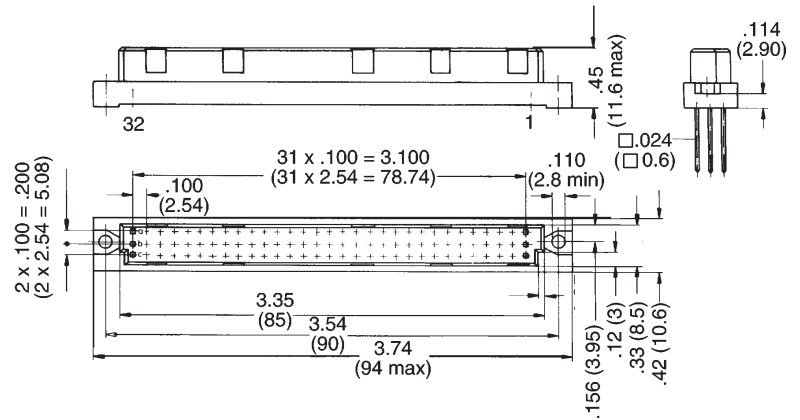
Part Numbers

No. of Contacts	Contact Arrangement	Performance Level	Press-Fit	Press-Fit Insertion Die
				
96	Fully Equipped	2	100-096-232*	200-022-020
		3	100-096-252*	

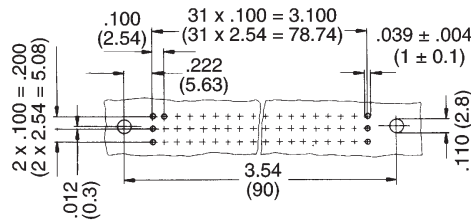
* Contact Factory for Availability

**Type C —
Series 100**

**Press Fit
64 and 96 Contact Female
Connectors — Three Row**



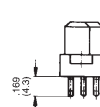
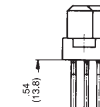
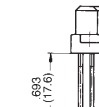
Printed Circuit Layout



Press-Fit Technical Specifications

Compliant Pin	
P.C.B. Thickness	.06 - .13 (1.6 - 3.2 mm)
Finished Hole Size	.037 - .043 (0.94 - 1.09 mm)
Drill Size	.045 ± .0004 (1.15 ^{±0.01} mm)
Copper	100μ" 300μ" (25-76μm)
Tin-Lead	30μ" (6μm min)

Part Numbers

No. of Contacts	Contact Arrangement	Performance Level	Press-Fit			Press-Fit Insertion Die
						
64	Row a + c	2	100-964-932	100-964-931*	—	200-022-074
		3	100-964-952	100-964-951*	—	
96	Fully Equipped	2	100-096-932	100-096-931	100-096-939	
		3	100-096-952	100-096-951	100-096-959	

* Contact Factory for Availability

X-ON Electronics

Largest Supplier of Electrical and Electronic Components

Click to view similar products for [FFC & FPC Connectors](#) category:

Click to view products by [Pancon](#) manufacturer:

Other Similar products are found below :

[HFW11R-1STE1H1LF](#) [FH29B-100S-0.2SHW\(99\)](#) [FA5S008HP1](#) [FH29B-120S-0.2SHW\(99\)](#) [FH29B-80S-0.2SHW\(99\)](#) [FHS-16](#) [FPH-2022G](#)
[52610-1075](#) [52610-1275](#) [52610-1934](#) [XF3M\(1\)-1415-1B-R100](#) [501864-3091-TR225](#) [0525594033](#) [086210010340800](#) [086222026001800](#)
[52271-2869-CUT-TAPE](#) [62674-201121DLF](#) [62684-36210E9ALF](#) [52610-1675](#) [52746-1671-TR250](#) [10051922-2810EHLF](#) [6-520415-9](#)
[BD021-09A-A1-0350-0200-0550-LD](#) [SFV6R-1STE9HLF](#) [XF3M-2915-1B-R100](#) [1658549-1](#) [62674-221121ALF](#) [46214008010800](#)
[046298003000883](#) [151660622](#) [842-816-2630-035](#) [AYF530665TA](#) [AYF351525](#) [046296011930846+](#) [AYF352325A](#) [046254020000800+](#)
[FH19C-13S-0.5SH\(99\)](#) [FH39J-51S-0.3SHW\(99\)](#) [AYF355125A](#) [AYF530365TA](#) [FH29B-44S-0.2SHW\(99\)](#) [SFW5R-2STAE9LF](#) [AYF351125A](#)
[AYF350725A](#) [62684-502100AHLF](#) [FH39-61S-0.3SHW\(99\)](#) [AYF414035A](#) [10064555-172520HLF](#) [AYF212335A](#) [504754-2500](#)