



**MICROCHIP**

---

**MCP3911  
ADC Evaluation Board  
for 16-Bit MCUs  
User's Guide**

---

**Note the following details of the code protection feature on Microchip devices:**

- Microchip products meet the specification contained in their particular Microchip Data Sheet.
- Microchip believes that its family of products is one of the most secure families of its kind on the market today, when used in the intended manner and under normal conditions.
- There are dishonest and possibly illegal methods used to breach the code protection feature. All of these methods, to our knowledge, require using the Microchip products in a manner outside the operating specifications contained in Microchip's Data Sheets. Most likely, the person doing so is engaged in theft of intellectual property.
- Microchip is willing to work with the customer who is concerned about the integrity of their code.
- Neither Microchip nor any other semiconductor manufacturer can guarantee the security of their code. Code protection does not mean that we are guaranteeing the product as "unbreakable."

Code protection is constantly evolving. We at Microchip are committed to continuously improving the code protection features of our products. Attempts to break Microchip's code protection feature may be a violation of the Digital Millennium Copyright Act. If such acts allow unauthorized access to your software or other copyrighted work, you may have a right to sue for relief under that Act.

---

Information contained in this publication regarding device applications and the like is provided only for your convenience and may be superseded by updates. It is your responsibility to ensure that your application meets with your specifications. MICROCHIP MAKES NO REPRESENTATIONS OR WARRANTIES OF ANY KIND WHETHER EXPRESS OR IMPLIED, WRITTEN OR ORAL, STATUTORY OR OTHERWISE, RELATED TO THE INFORMATION, INCLUDING BUT NOT LIMITED TO ITS CONDITION, QUALITY, PERFORMANCE, MERCHANTABILITY OR FITNESS FOR PURPOSE. Microchip disclaims all liability arising from this information and its use. Use of Microchip devices in life support and/or safety applications is entirely at the buyer's risk, and the buyer agrees to defend, indemnify and hold harmless Microchip from any and all damages, claims, suits, or expenses resulting from such use. No licenses are conveyed, implicitly or otherwise, under any Microchip intellectual property rights.

**Trademarks**

The Microchip name and logo, the Microchip logo, dsPIC, KEELOQ, KEELOQ logo, MPLAB, PIC, PICmicro, PICSTART, PIC<sup>32</sup> logo, rPIC and UNI/O are registered trademarks of Microchip Technology Incorporated in the U.S.A. and other countries.

FilterLab, Hampshire, HI-TECH C, Linear Active Thermistor, MXDEV, MXLAB, SEEVAL and The Embedded Control Solutions Company are registered trademarks of Microchip Technology Incorporated in the U.S.A.

Analog-for-the-Digital Age, Application Maestro, chipKIT, chipKIT logo, CodeGuard, dsPICDEM, dsPICDEM.net, dsPICworks, dsSPEAK, ECAN, ECONOMONITOR, FanSense, HI-TIDE, In-Circuit Serial Programming, ICSP, Mindi, MiWi, MPASM, MPLAB Certified logo, MPLIB, MPLINK, mTouch, Omniscient Code Generation, PICC, PICC-18, PICDEM, PICDEM.net, PICkit, PICtail, REAL ICE, rLAB, Select Mode, Total Endurance, TSHARC, UniWinDriver, WiperLock and ZENA are trademarks of Microchip Technology Incorporated in the U.S.A. and other countries.

SQTP is a service mark of Microchip Technology Incorporated in the U.S.A.

All other trademarks mentioned herein are property of their respective companies.

© 2012, Microchip Technology Incorporated, Printed in the U.S.A., All Rights Reserved.

 Printed on recycled paper.

ISBN: 978-1-62076-120-5

**QUALITY MANAGEMENT SYSTEM  
CERTIFIED BY DNV  
= ISO/TS 16949 =**

*Microchip received ISO/TS-16949:2009 certification for its worldwide headquarters, design and wafer fabrication facilities in Chandler and Tempe, Arizona; Gresham, Oregon and design centers in California and India. The Company's quality system processes and procedures are for its PIC<sup>®</sup> MCUs and dsPIC<sup>®</sup> DSCs, KEELOQ<sup>®</sup> code hopping devices, Serial EEPROMs, microperipherals, nonvolatile memory and analog products. In addition, Microchip's quality system for the design and manufacture of development systems is ISO 9001:2000 certified.*



# MCP3911 ADC EVALUATION BOARD FOR 16-BIT MCUs USER'S GUIDE

## Table of Contents

<b>Preface</b> .....	<b>5</b>
Introduction.....	5
Document Layout .....	5
Conventions Used in this Guide .....	6
Recommended Reading.....	7
The Microchip Web Site .....	7
Customer Support .....	7
Document Revision History .....	7
<b>Chapter 1. Hardware Description</b>	
1.1 Overview .....	9
1.2 PIM Module/MCP3911 Connection and Peripheral Usage Overview .....	11
1.3 Analog Input Structure .....	13
1.4 Universal Serial Bus (USB) .....	13
<b>Chapter 2. Evaluation Board PC Software</b>	
2.1 Overview .....	15
<b>Appendix A. Schematics and Layouts</b>	
A.1 Introduction .....	17
A.2 Schematic - ADC and Power .....	18
A.3 Schematic - Microcontroller (MCU) .....	19
A.4 Schematic - PIM Module .....	20
A.5 Schematic - LCD and UART .....	21
A.6 Board - Top Trace and Top Silk .....	22
A.7 Board - bottom Trace and bottom Silk .....	22
A.8 Board - LAYER #2 GND .....	23
A.9 Board - LAYER #3 VDD .....	23
A.10 Board - Top SILK and PADS .....	24
A.11 Board - Bottom SILK and PADS .....	24
<b>Appendix B. Bill of Materials (BOM)</b> .....	<b>25</b>
<b>Worldwide Sales and Service</b> .....	<b>28</b>

# MCP3911 ADC Evaluation Board for 16-Bit MCUs User's Guide

---

---

NOTES:



# MCP3911 ADC EVALUATION BOARD FOR 16-BIT MCUs USER'S GUIDE

## Preface

### NOTICE TO CUSTOMERS

All documentation becomes dated, and this manual is no exception. Microchip tools and documentation are constantly evolving to meet customer needs, so some actual dialogs and/or tool descriptions may differ from those in this document. Please refer to our web site ([www.microchip.com](http://www.microchip.com)) to obtain the latest documentation available.

Documents are identified with a “DS” number. This number is located on the bottom of each page, in front of the page number. The numbering convention for the DS number is “DSXXXXA”, where “XXXX” is the document number and “A” is the revision level of the document.

For the most up-to-date information on development tools, see the MPLAB® IDE online help. Select the Help menu, and then Topics to open a list of available online help files.

## INTRODUCTION

This chapter contains general information that will be useful to know before using the MCP3911 ADC Evaluation Board for 16-Bit MCUs. Items discussed in this chapter include:

- Document Layout
- Conventions Used in this Guide
- Recommended Reading
- The Microchip Web Site
- Customer Support
- Document Revision History

## DOCUMENT LAYOUT

This document describes how to use the MCP3911 ADC Evaluation Board for 16-Bit MCUs as a development tool to emulate and debug firmware on a target board. The manual layout is as follows:

- **Chapter 1. “Hardware Description”** – Provides important information about the MCP3911 ADC Evaluation Board for 16-Bit MCUs hardware.
- **Chapter 2. “Firmware”** – Describes the MCP3911 ADC Evaluation Board for 16-Bit MCUs firmware.
- **Chapter 2. “Evaluation Board PC Software”** – Provides information about the evaluation board software.
- **Appendix A. “Schematics and Layouts”** – Shows the schematic and board layouts for the MCP3911 ADC Evaluation Board for 16-Bit MCUs.
- **Appendix B. “Bill of Materials (BOM)”** – Lists the parts used to build the MCP3911 ADC Evaluation Board for 16-Bit MCUs.

# MCP3911 ADC Evaluation Board for 16-Bit MCUs User's Guide

## CONVENTIONS USED IN THIS GUIDE

This manual uses the following documentation conventions:

### DOCUMENTATION CONVENTIONS

Description	Represents	Examples
<b>Arial font:</b>		
Italic characters	Referenced books	<i>MPLAB<sup>®</sup> IDE User's Guide</i>
	Emphasized text	...is the <i>only</i> compiler...
Initial caps	A window	the Output window
	A dialog	the Settings dialog
	A menu selection	select Enable Programmer
Quotes	A field name in a window or dialog	"Save project before build"
Underlined, italic text with right angle bracket	A menu path	<u><i>File&gt;Save</i></u>
Bold characters	A dialog button	Click <b>OK</b>
	A tab	Click the <b>Power</b> tab
N'Rnnnn	A number in verilog format, where N is the total number of digits, R is the radix and n is a digit.	4'b0010, 2'hF1
Text in angle brackets < >	A key on the keyboard	Press <Enter>, <F1>
<b>Courier New font:</b>		
Plain Courier New	Sample source code	#define START
	Filenames	autoexec.bat
	File paths	c:\mcc18\h
	Keywords	_asm, _endasm, static
	Command-line options	-Opa+, -Opa-
	Bit values	0, 1
	Constants	0xFF, 'A'
Italic Courier New	A variable argument	<i>file.o</i> , where <i>file</i> can be any valid filename
Square brackets [ ]	Optional arguments	mcc18 [options] <i>file</i> [options]
Curly brackets and pipe character: {   }	Choice of mutually exclusive arguments; an OR selection	errorlevel {0 1}
Ellipses...	Replaces repeated text	var_name [, var_name...]
	Represents code supplied by user	void main (void) { ... }

## RECOMMENDED READING

This user's guide describes how to use MCP3911 ADC Evaluation Board for 16-Bit MCUs. Another useful document is listed below. The following Microchip document is available and recommended as a supplemental reference resource:

- **MCP3911 Data Sheet - “3.3V Two Channel Analog Front End” (DS22286)**

## THE MICROCHIP WEB SITE

Microchip provides online support via our web site at [www.microchip.com](http://www.microchip.com). This web site is used as a means to make files and information easily available to customers. Accessible by using your favorite Internet browser, the web site contains the following information:

- **Product Support** – Data sheets and errata, application notes and sample programs, design resources, user's guides and hardware support documents, latest software releases and archived software
- **General Technical Support** – Frequently Asked Questions (FAQs), technical support requests, online discussion groups, Microchip consultant program member listing
- **Business of Microchip** – Product selector and ordering guides, latest Microchip press releases, listing of seminars and events, listings of Microchip sales offices, distributors and factory representatives

## CUSTOMER SUPPORT

Users of Microchip products can receive assistance through several channels:

- Distributor or Representative
- Local Sales Office
- Field Application Engineer (FAE)
- Technical Support

Customers should contact their distributor, representative or field application engineer (FAE) for support. Local sales offices are also available to help customers. A listing of sales offices and locations is included in the back of this document.

Technical support is available through the web site at: <http://support.microchip.com>.

## DOCUMENT REVISION HISTORY

### Revision A (March 2012)

- Initial release of this document.

# MCP3911 ADC Evaluation Board for 16-Bit MCUs User's Guide

---

---

NOTES:





# MCP3911 ADC EVALUATION BOARD FOR 16-BIT MCUs USER'S GUIDE

---

---

## Chapter 1. Hardware Description

---

---

### 1.1 OVERVIEW

The MCP3911 ADC Evaluation Board for 16-Bit MCUs system provides the opportunity to evaluate the performance of the MCP3911 dual-channel ADC. It also provides a development platform for 16-bit PIC<sup>®</sup>-based applications, using existing 100-pin PIC microcontroller Plug-in Module (PIM) systems that are compatible with the Explorer 16 and other high pin count PIC<sup>®</sup>-based demo boards. The system comes with a programmed PIC24FJ256GA110 PIM module that communicates with the Energy Management Utility software for data exchange and ADC setup.

#### 1.1.1 Feature Highlights

- Dual ADC MCP3911 output display using serial communication to the PC software interface
- Simultaneous 55 ksps at OSR32 address loop ALL or 95 dB SINAD at OSR512 performance on MCP3911
- System and ADC performance analysis through graphical PC tools showing noise histogram, frequency domain (FFT), time domain scope plot, and statistical numerical analysis
- Robust hardware design with analog grounding and analog/digital separation, allowing low noise evaluation of MCP3911 devices; includes separate power supplies and power planes on a 4-layer board.
- PICtail™ Plus connectors for Explorer 16 daughter board compatibility

# MCP3911 ADC Evaluation Board for 16-Bit MCUs User's Guide

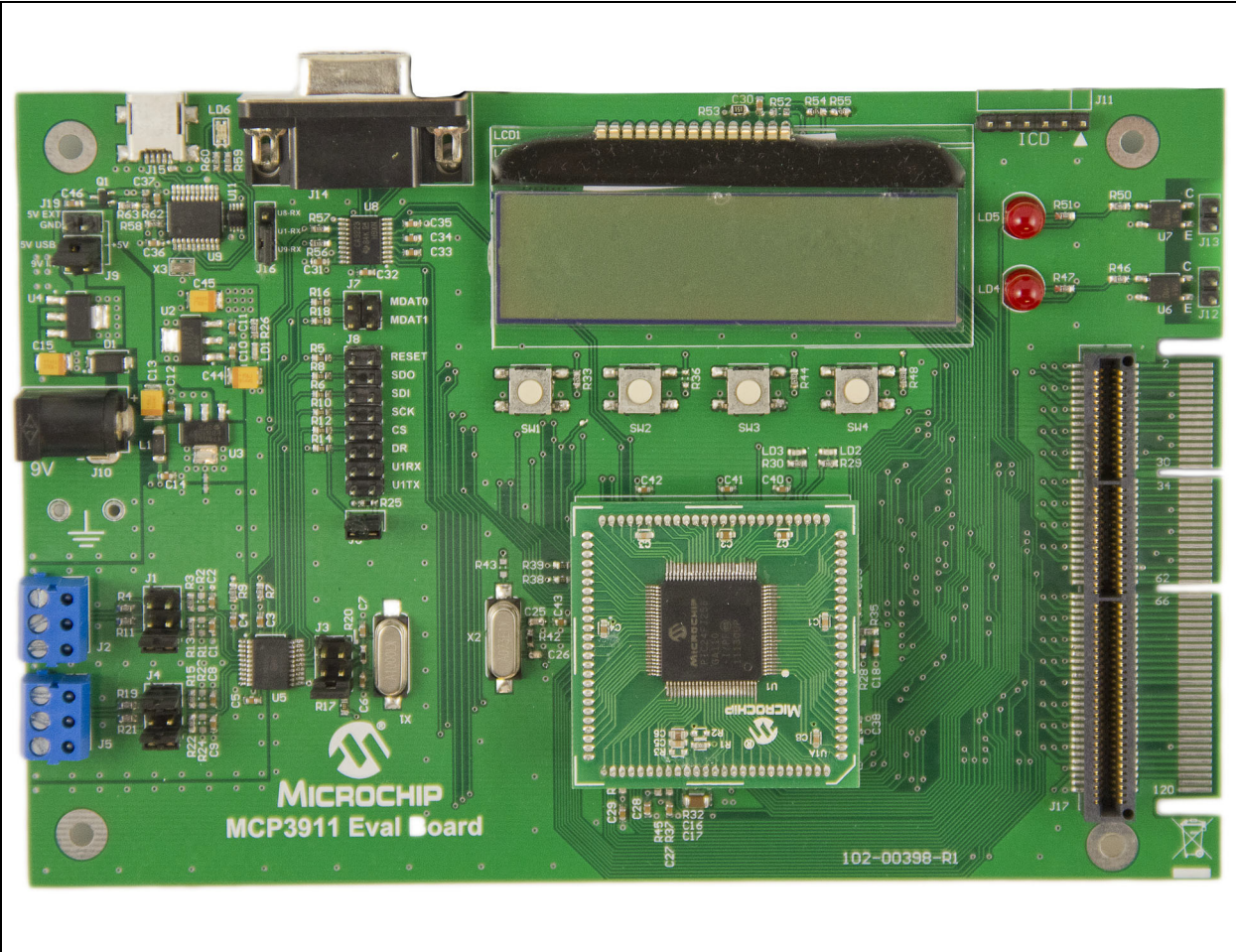
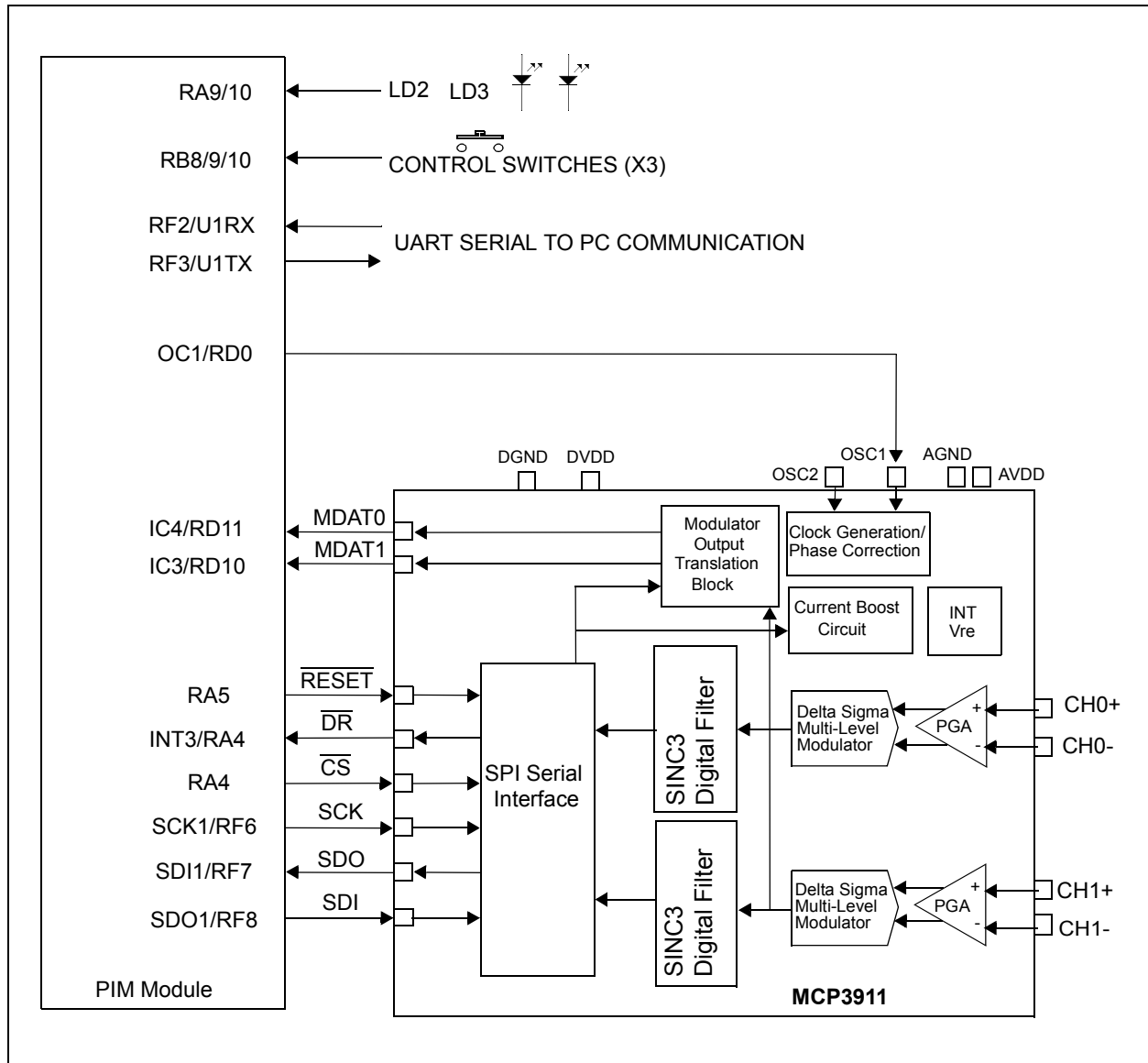


FIGURE 1-1: MCP3911 Evaluation Board.

## 1.2 PIM MODULE/MCP3911 CONNECTION AND PERIPHERAL USAGE OVERVIEW

The MCP3911 ADC Evaluation Board for 16-Bit MCUs contains a 100-pin PIM socket compatible with Microchip's PIM modules. The system comes with one PIM module, the PIC24FJ128GA110.



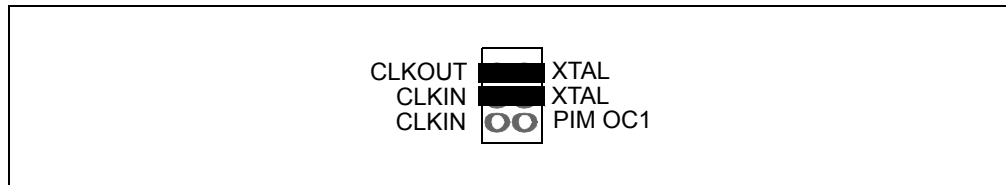
**FIGURE 1-2:** Digital Connection Overview PIM/MCP3911 Connections.

Ports A, B, and D are used for signals such as push buttons, output LEDs,  $\overline{CS}$  and MCLR (for MCP3911 data mode setting). Output Capture 1 is used for clock generation in the MCP3911. Serial communication is achieved through the MSSP module 1.

The MCP3911 device is an ADC with a second order modulator and a third order sinc filter, plus a first order sinc filter used for higher OSR's values. This Delta-Sigma A/D converter has an adjustable oversampling ratio. The CLKIN pin of the MCP3911 is the oversampling clock (MCLK) input. The MCP3911 ADC Evaluation Board for 16-Bit MCUs offers two different options for the MCP3911 master clock (MCLK).

## 1.2.1 Using the Crystal X1

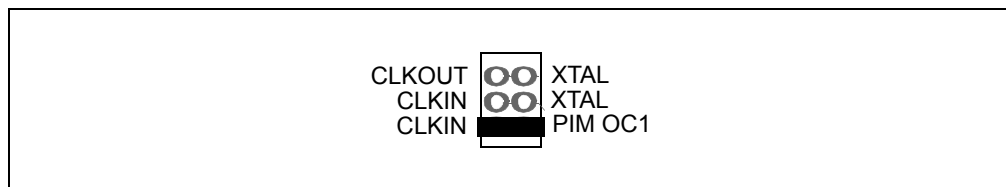
The MCP3911 ADC Evaluation Board for 16-Bit MCUs is populated with a 3.58 MHz crystal, used as a clock source, by placing jumpers in the following position on the MCP3911 Digital I/O header block:



**FIGURE 1-3:** ADC Clock Selection Jumpers - External Crystal.

## 1.2.2 Driving the Clock with the PIM Module

The PIC<sup>®</sup> MCU can be used to generate the CLKIN (MCLK) signal for the MCP3911, setting the ADC sample rate through the use of the output compare module OC1. To use this feature, make the following jumper change to the MCP3911 Digital I/O header block:



**FIGURE 1-4:** ADC Clock Selection Jumpers - Clock from MCU.

The frequency of the OC1 output is based on the PR1 bits settings in the firmware.

## 1.3 ANALOG INPUT STRUCTURE

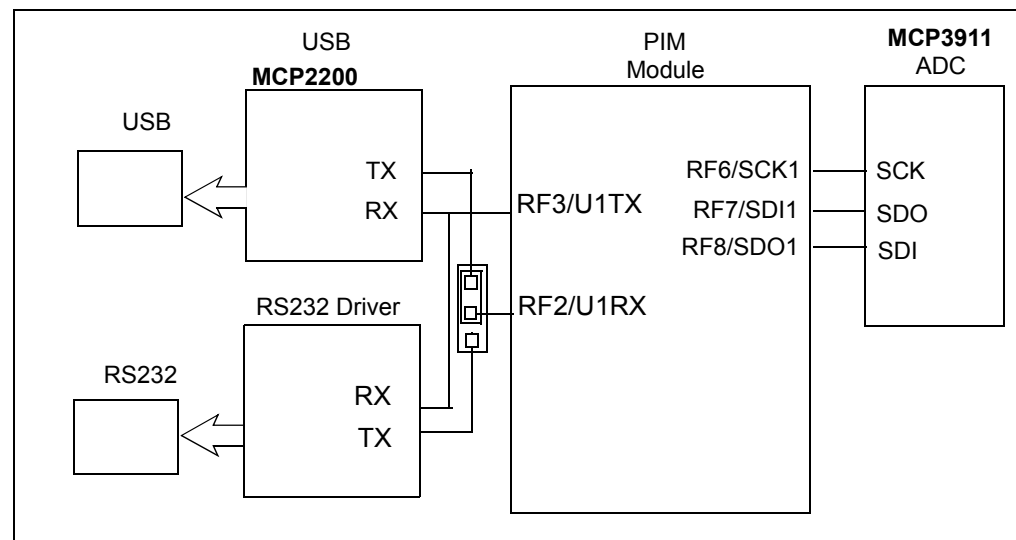
Two differential input paths allow external signal sources to be easily connected to the MCP3911 input. Screw-terminal connectors J2 and J5 are 3-pin connectors that act as both screw-type and clip-on post connectors.

**Note:** To use a screw-terminal connector as a post connector, pull up the blue plastic top to access the posts.

The connectors J2 and J5 can be used to force either channel from a differential to single-ended configuration. R4 and R11 (on CH0), and R19 and R21 (on CH1) act as locations for burden resistor connectors for any current transformer inputs.

## 1.4 UNIVERSAL SERIAL BUS (USB)

The MCP3911 ADC Evaluation Board for 16-Bit MCUs also contains a USB connection for connecting the evaluation board to a PC. On the board, there is an MCP2200 USB to UART converter that creates a virtual COMM port on the PC. The MCP3911 ADC Evaluation Board for 16-Bit MCUs also features a RS232 connector, just in case it is required. The RS232 line driver is connected to the same UART pins of the MCU. For this reason, a 3-pin jumper (J16) is present on the evaluation board to select which serial communication will be used: USB or RS232. The following figure summarizes the connections between the ADC, MCU, USB to serial converter and the RS232 line driver.



**FIGURE 1-5:** USB Block Diagram.

The MCP2200 is powered from the USB with 5V. The Q1 transistor (see [Appendix A.](#)) is used to disconnect the board from the PC when it is powered down to avoid power consumption.

Since the PIC24F runs at 3.3V, a level shifter was used to modify the signal level to 5V as required by the MCP2200; this is done with U11 (see [Appendix A.](#)).

The 7.3728 MHz value of the crystal is required to achieve the correct baud rate values for higher speed. This design uses a baud rate of 920.6 kbaud and for this baud rate, the register value is 3 (decimal).

# MCP3911 ADC Evaluation Board for 16-Bit MCUs User's Guide

---

---

NOTES:



# MCP3911 ADC EVALUATION BOARD FOR 16-BIT MCUs USER'S GUIDE

---

---

## Chapter 2. Evaluation Board PC Software

---

---

### 2.1 OVERVIEW

This evaluation board uses the Energy Management Utility software for evaluation of the MCP3911 via a USB connection to the board. A download link for this software can be found on the evaluation board's web page. For instructions on the use of this software, refer to the software's supporting documentation included within the application install package.

# MCP3911 ADC Evaluation Board for 16-Bit MCUs User's Guide

---

---

NOTES:





# MCP3911 ADC EVALUATION BOARD FOR 16-BIT MCUs USER'S GUIDE

---

---

## Appendix A. Schematics and Layouts

---

---

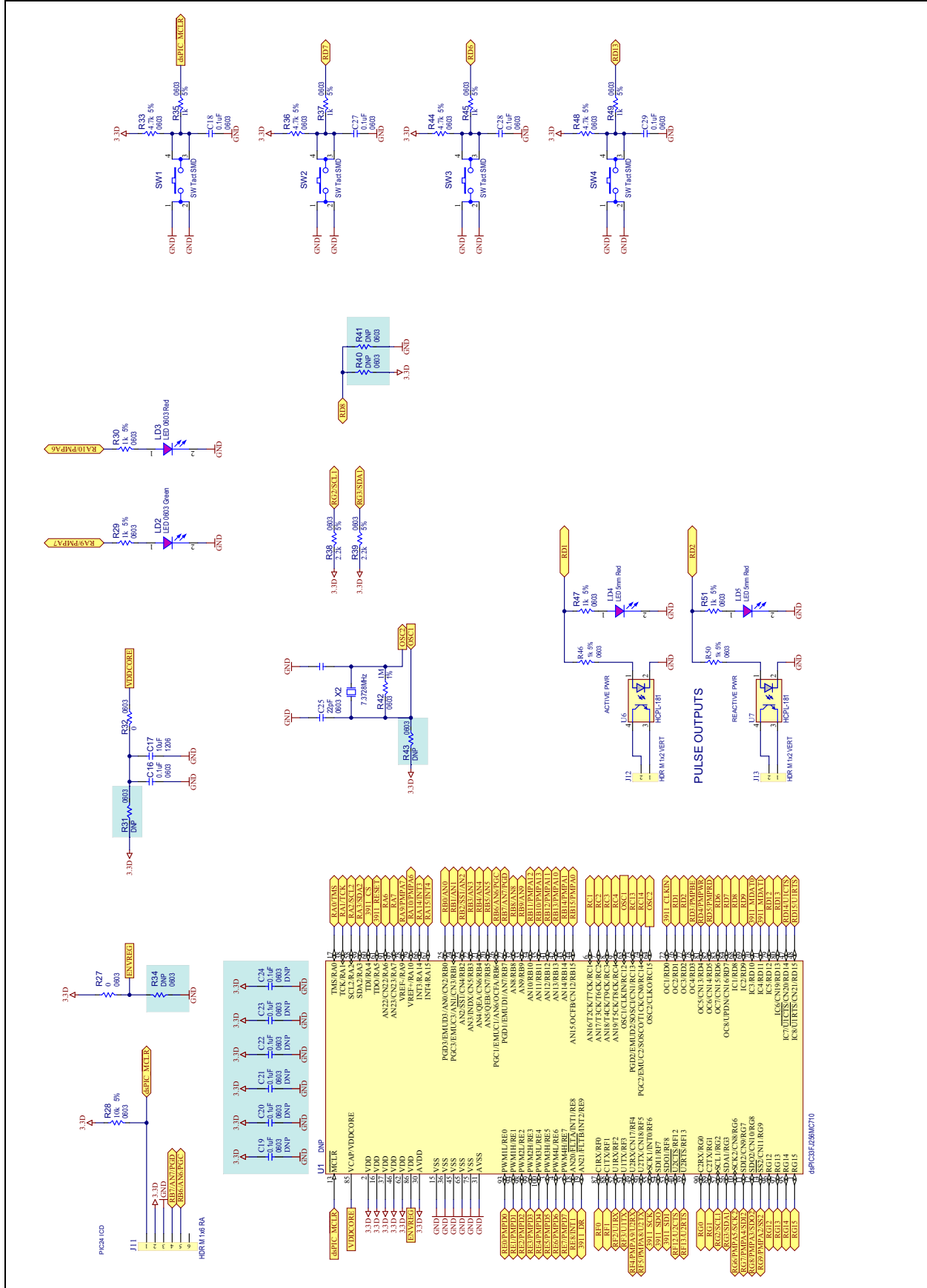
### A.1 INTRODUCTION

This appendix contains the following schematics of the MCP3911 ADC Evaluation Board for 16-Bit MCUs:

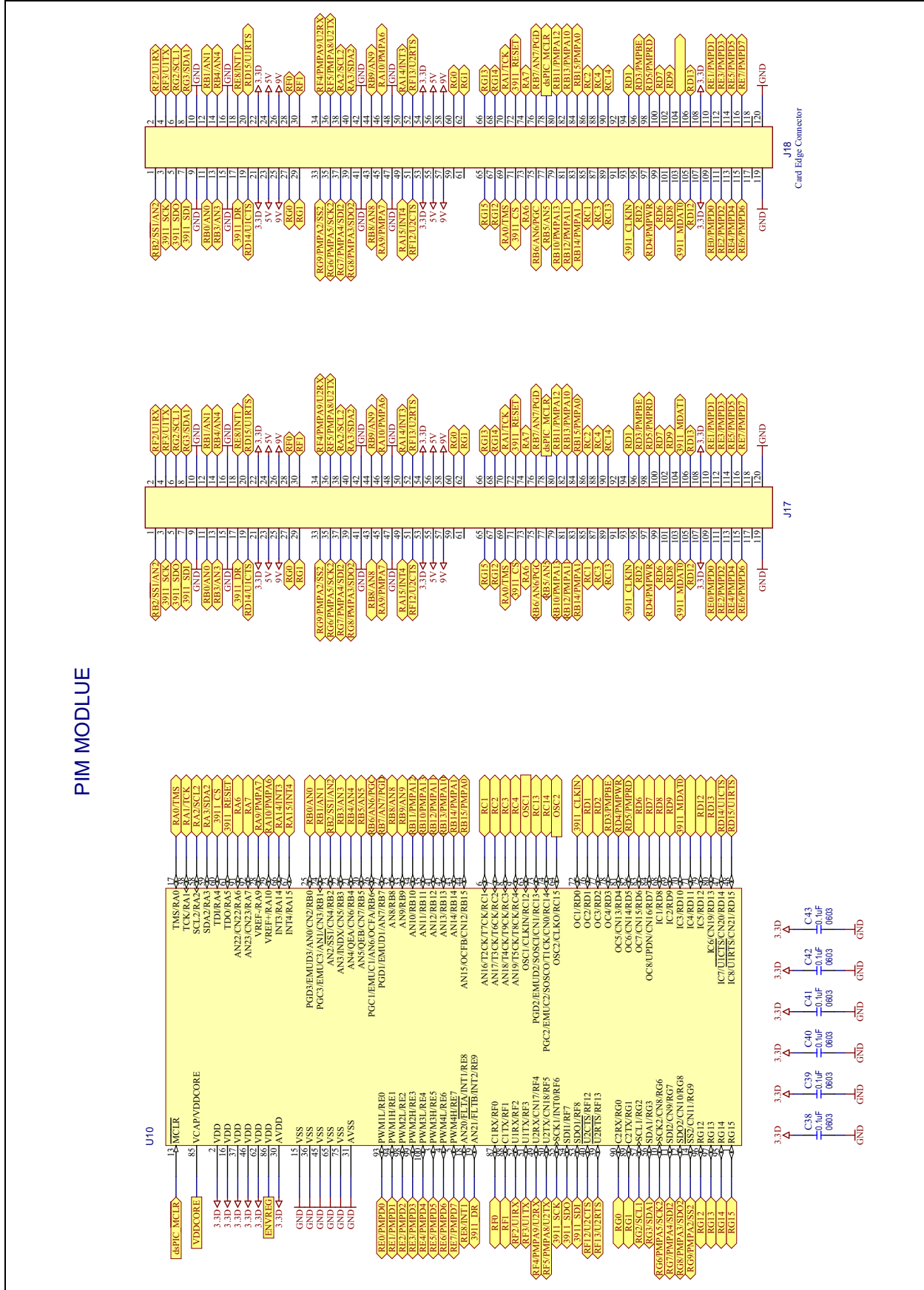
- Schematic - ADC and Power
- Schematic - Microcontroller (MCU)
- Schematic - PIM Module
- Schematic - LCD and UART
- Board - Top Trace and Top Silk
- Board - Bottom Trace and Bottom Silk
- Board - Layer #2 GND
- Board - Layer #3  $V_{DD}$
- Board - Top Silk and Pads
- Board - Bottom Silk and Pads



## A.3 SCHEMATIC - MICROCONTROLLER (MCU)

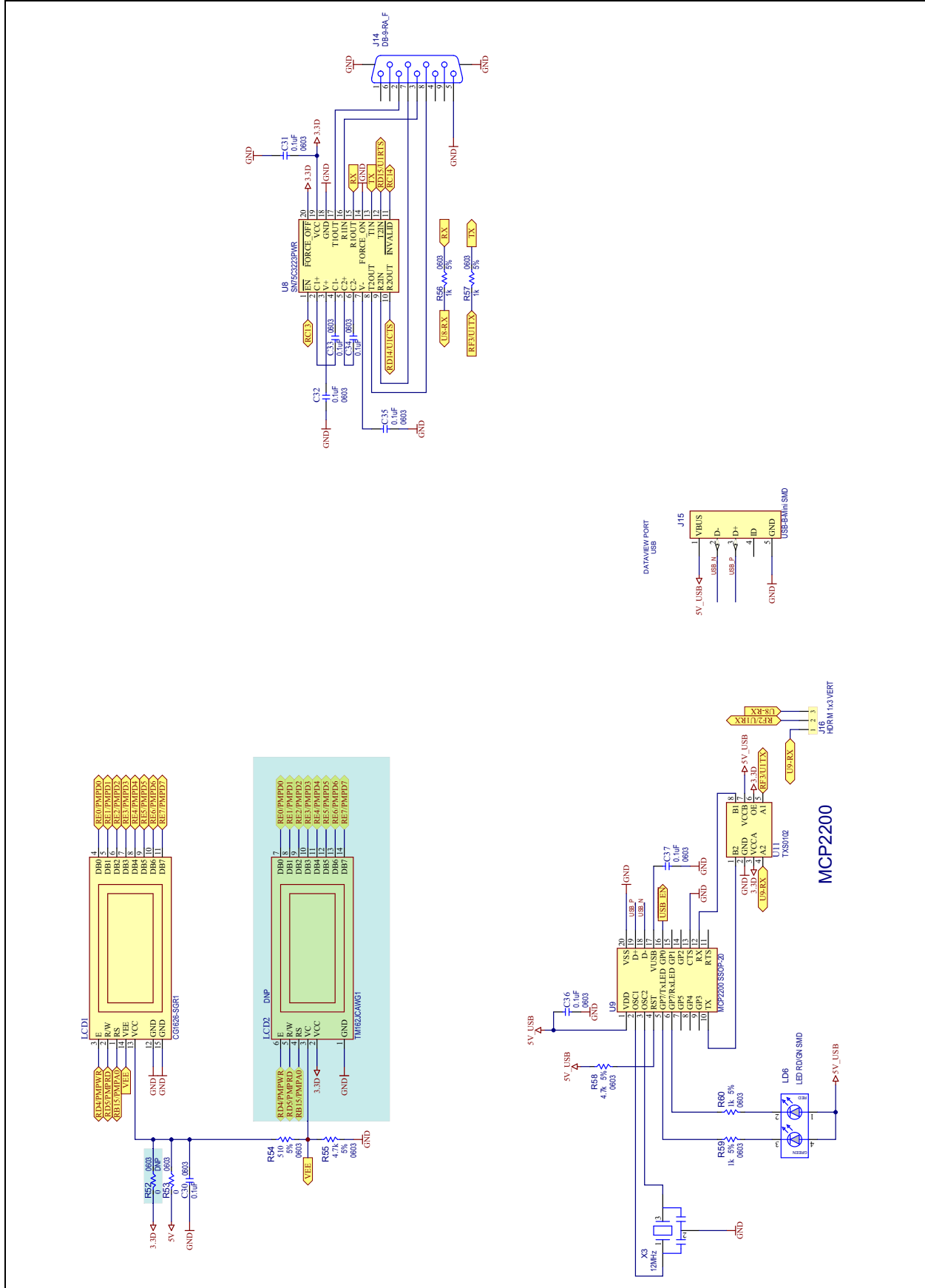


## A.4 SCHEMATIC - PIM MODULE



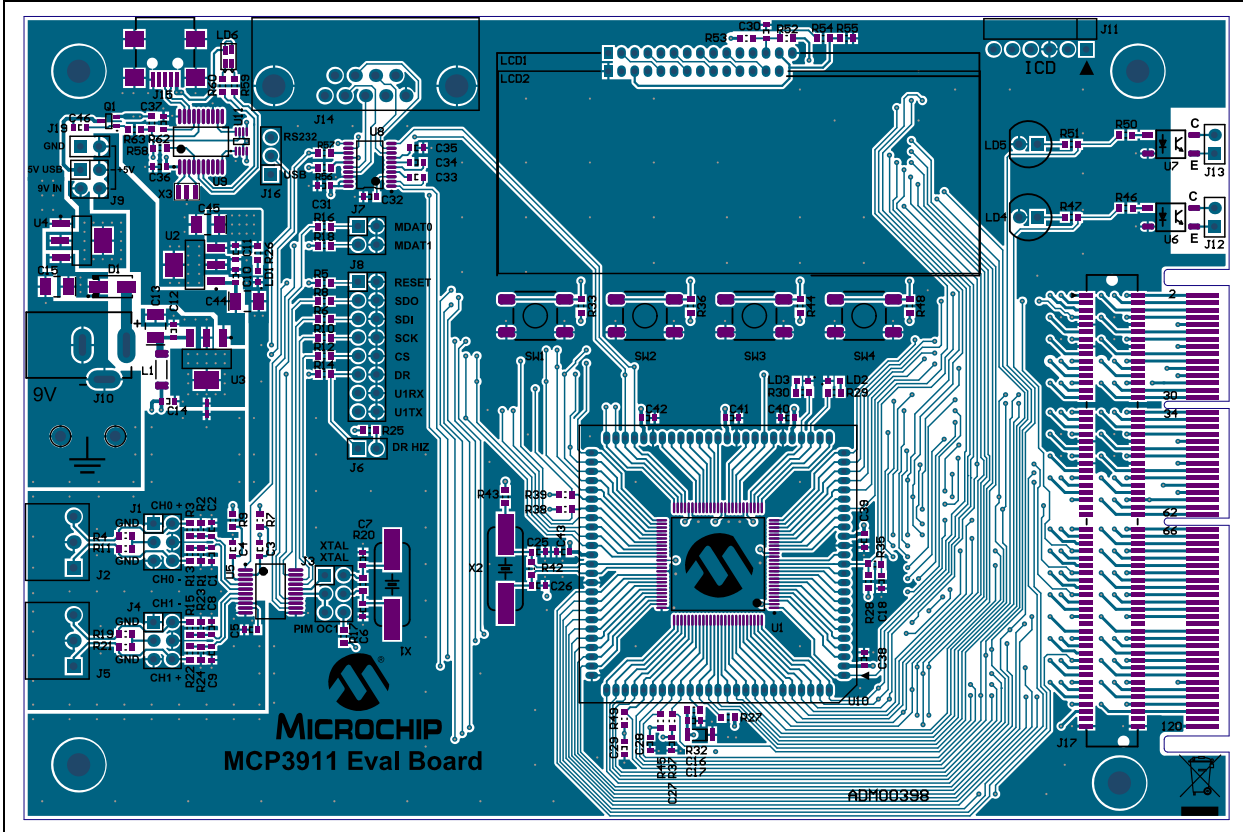
PIM MODLUE

## A.5 SCHEMATIC - LCD AND UART

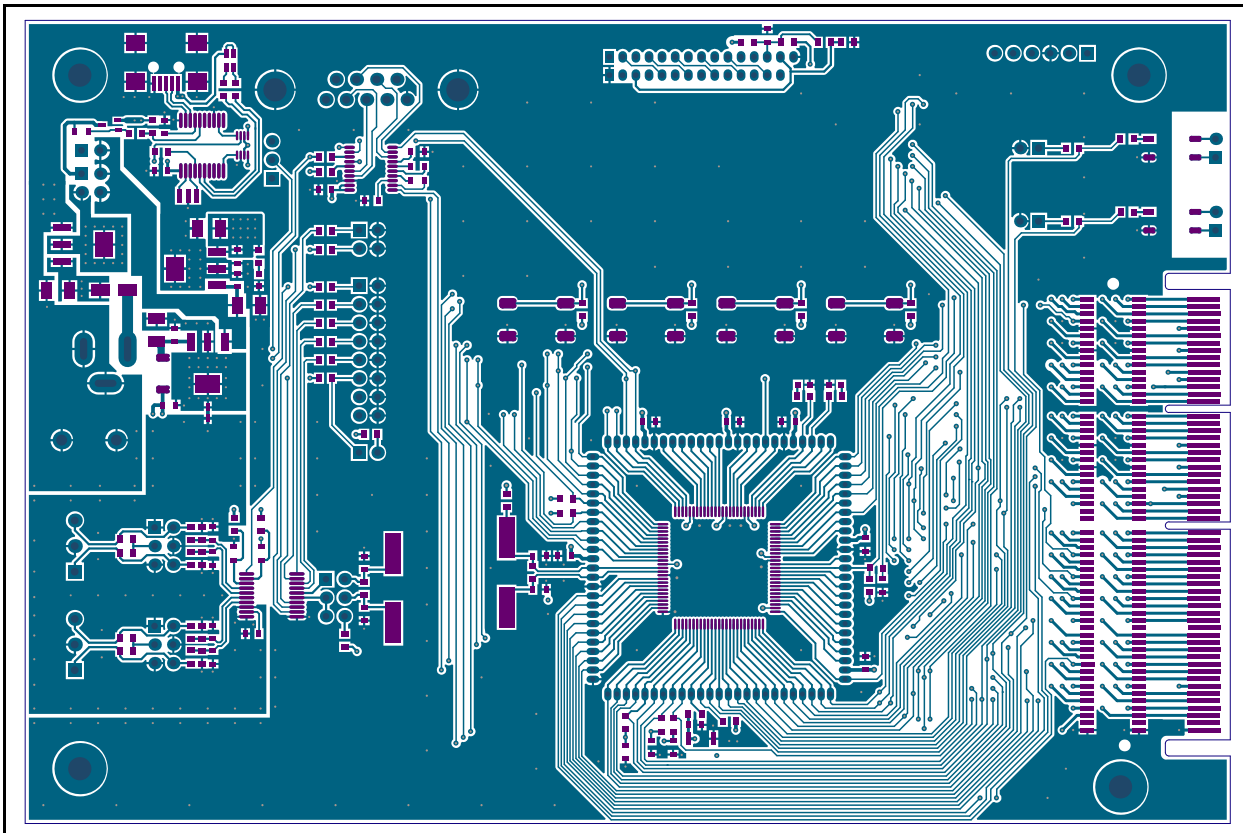


# MCP3911 ADC Evaluation Board for 16-Bit MCUs User's Guide

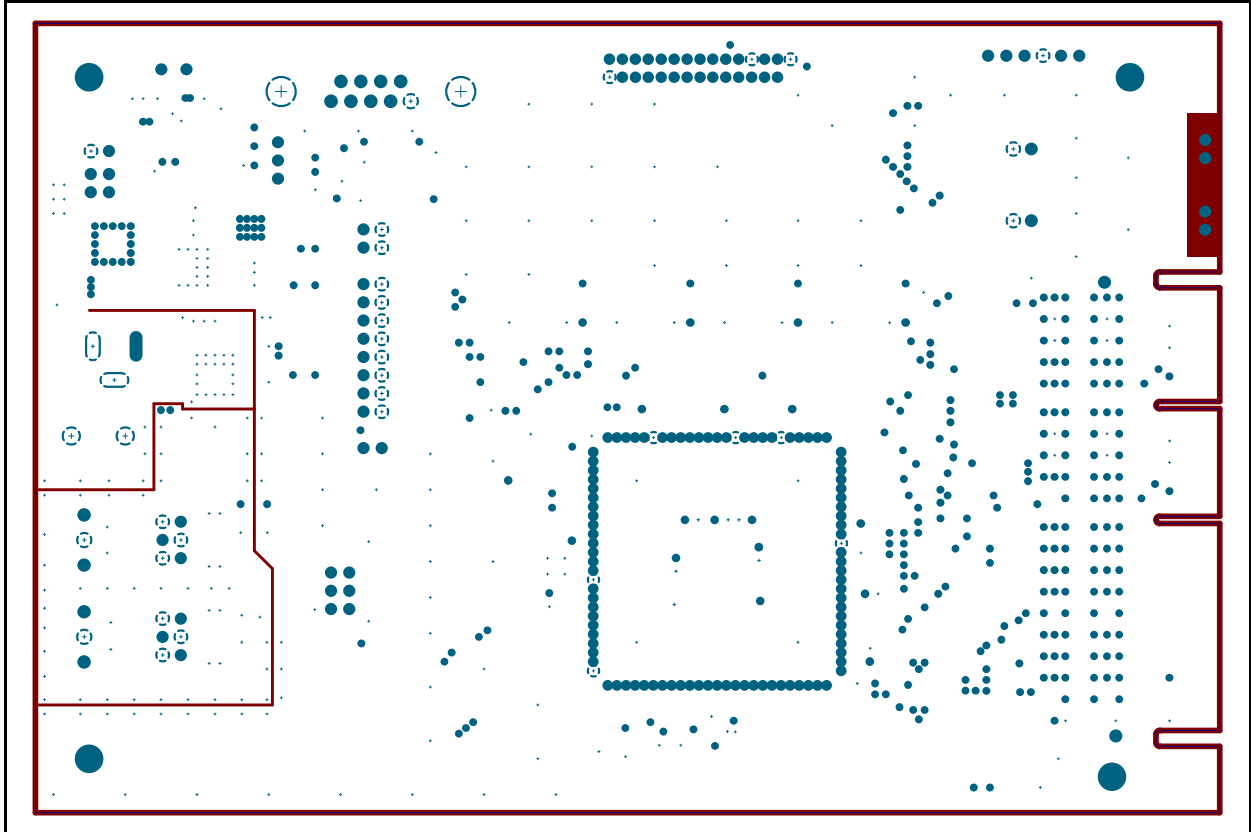
## A.6 BOARD - TOP TRACE AND TOP SILK



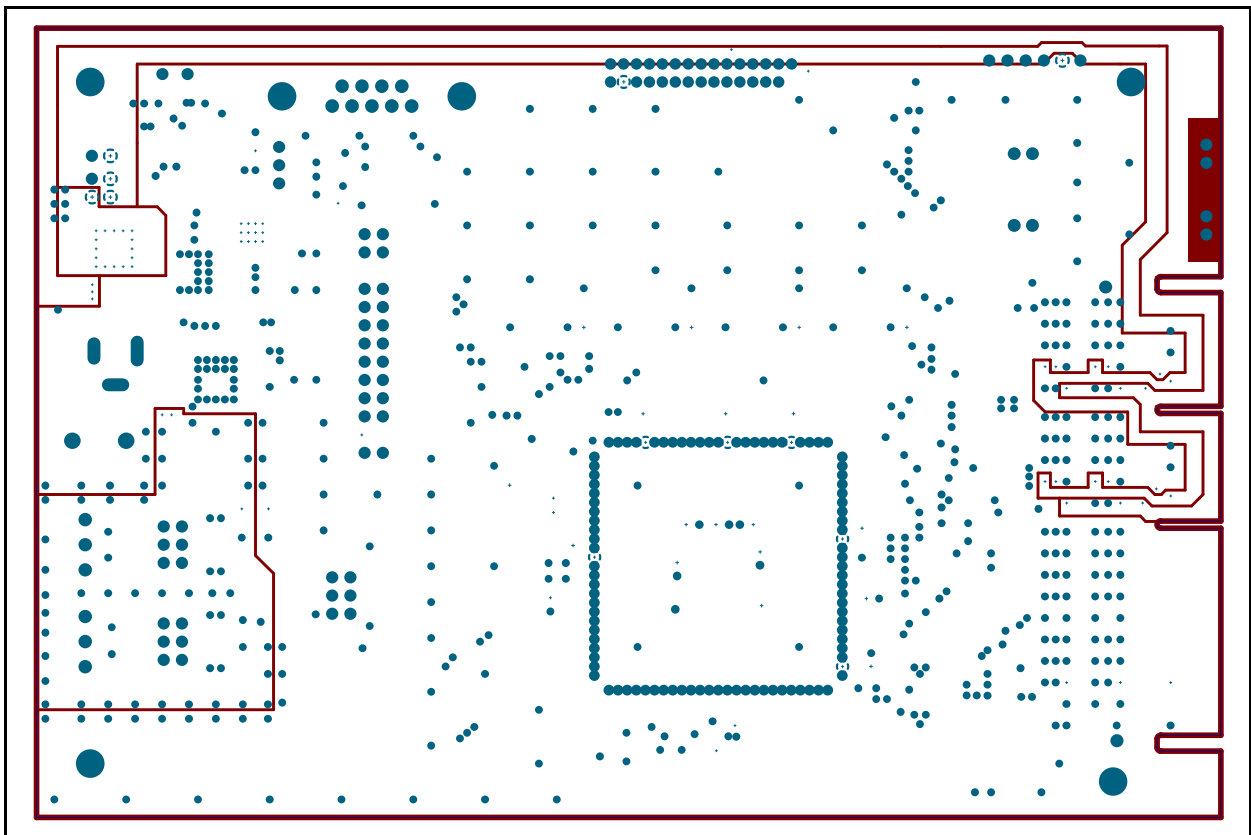
## A.7 BOARD - BOTTOM TRACE AND BOTTOM SILK



## A.8 BOARD - LAYER #2 GND

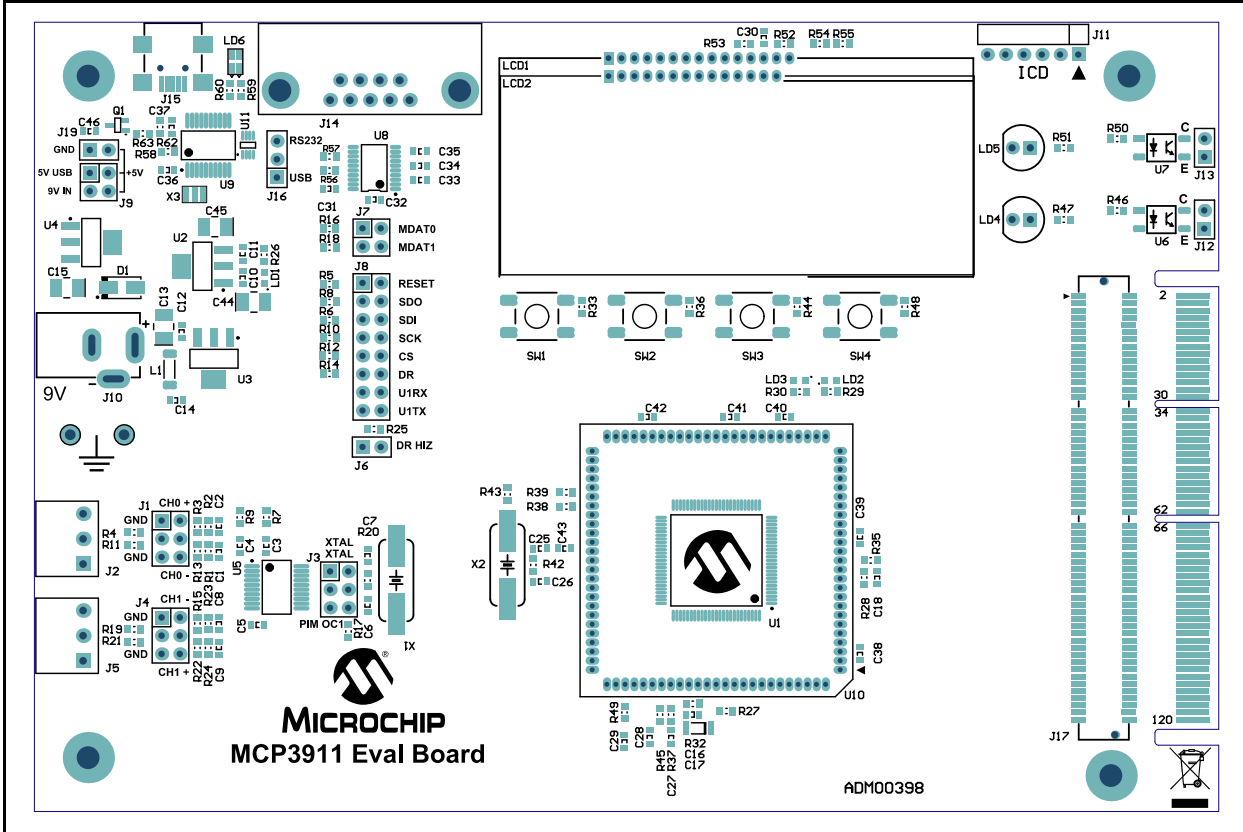


## A.9 BOARD - LAYER #3 VDD

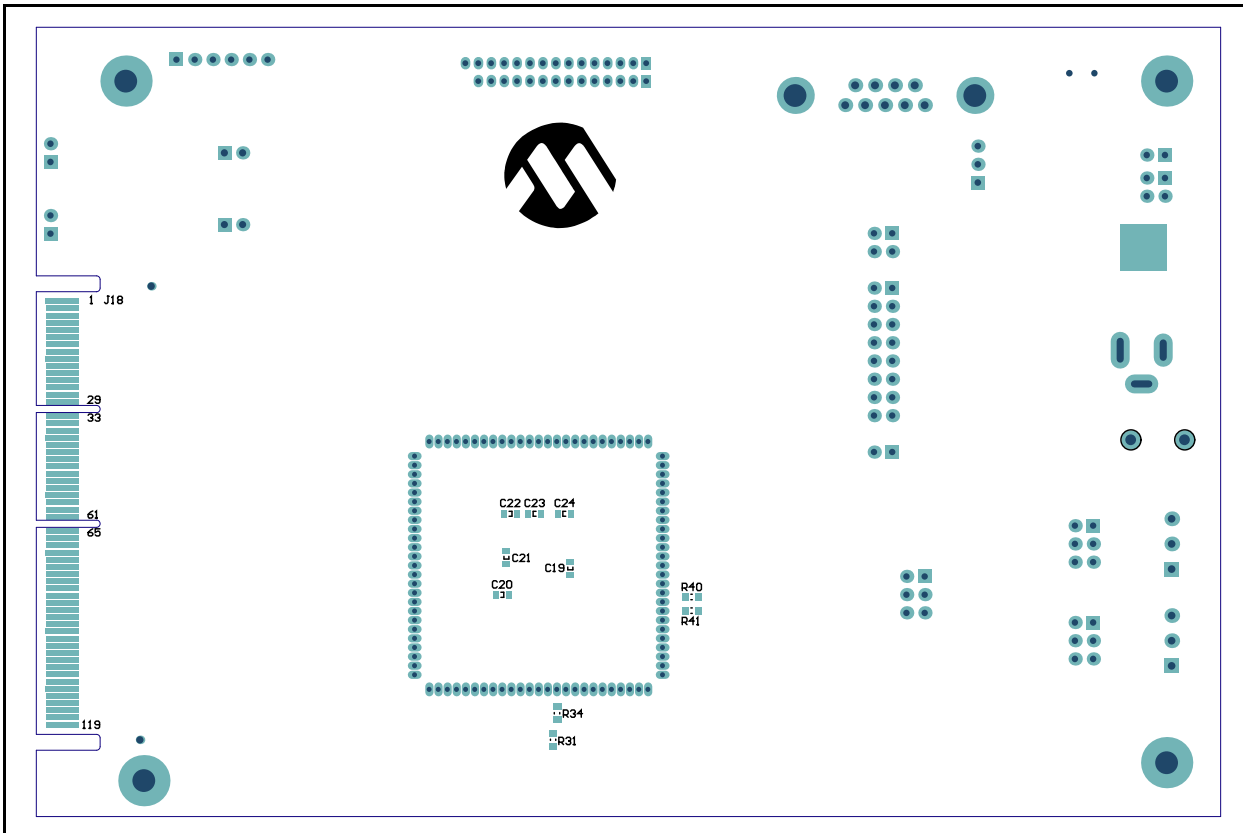


# MCP3911 ADC Evaluation Board for 16-Bit MCUs User's Guide

## A.10 BOARD - TOP SILK AND PADS



## A.11 BOARD - BOTTOM SILK AND PADS







# MCP3911 ADC EVALUATION BOARD FOR 16-BIT MCUs USER'S GUIDE

## Appendix B. Bill of Materials (BOM)

**TABLE B-1: BILL OF MATERIALS (BOM)**

Qty	Reference	Description	Manufacturer	Part Number
6	Jumper	Conn. Jumper Shorting .100" Gold	Sullins Connector Solutions	SPC02SVGN-RC
1	L1	Ferrite 300 mA 150 Ohm 1806 SMD	Laird Technologies	LI1806C151R-10
1	LCD1	LCD 16 X 2 Chip on glass reflective	Fema Electronics	CG1626-SGR1
1	LCD2	<b>DO NOT POPULATE</b> - LCD 16 X 2 FTN Reflective No. Blwt. Cog 3V	Tianma Microelectronics	TM162JCAWG1
2	LD1, LD2	LED Smartled Green 570 nm 0603	OSRAM Opto Semiconductors	LG L29K-G2J1-24-Z
1	LD3	LED Smartled 630 nm Red 0603 SMD	OSRAM Opto Semiconductors	LS L29K-G1J2-1-0-2-R18-Z
2	LD4, LD5	LED SS 5 mm 640 nm Red Diff.	Kingbright Corp.	WP7113LSRD
1	LD6	LED 2 X 1.2 mm Red/Green Wtr. Clr. SMD	Kingbright Corp.	APHBM2012SURKCGKC
1	Q1	MOSFET P-Ch G-S 12V SC-70-3	Vishay Siliconix	SI1307EDL-T1-GE3
10	R1, R2, R23, R24, R40, R41, R43, R52, R31, R34	<b>DO NOT POPULATE</b> - Res. 0603 SMD		
2	R20, R42	Res. 1M Ohm 1/10W 1% 0603 SMD	Panasonic - ECG	ERJ-3EKF1004V
2	R27, R32	Res. 0 Ohm 1/10W 0603 SMD	Panasonic - ECG	ERJ-3GEY0R00V
2	R28, R62	Res. 10k Ohm 1/10W 5% 0603 SMD	Panasonic - ECG	ERJ-3GEYJ103V
25	R3, R4, R11, R13, R15, R19, R21, R22, R25, R26, R29, R30, R35, R37, R45, R46, R47, R49, R50, R51, R56, R57, R59, R60, R63	Res. 1k Ohm 1/10W 5% 0603 SMD	Panasonic - ECG	ERJ-3GEYJ102V
5	R33, R36, R44, R48, R58	Res. 4.7k Ohm 1/10W 5% 0603 SMD	Panasonic - ECG	ERJ-3GEYJ472V
2	R38, R39	Res. 2.2k Ohm 1/10W 5% 0603 SMD	Panasonic - ECG	ERJ-3GEYJ222V
1	R53	Res. 56 Ohm 1/10W 5% 0603 SMD	Panasonic - ECG	ERJ-3GEYJ560V Digi-Key P56GCT-ND
1	R54	Res. 510 Ohm 1/10W 5% 0603 SMD	Panasonic - ECG	ERJ-3GEYJ511V Digi-Key P510GCT-ND
9	R5, R6, R8, R10, R12, R14, R16, R17, R18	Res. 100 Ohm 1/10W 5% 0603 SMD	Panasonic - ECG	ERJ-3GEYJ101V
4	R7, R9, R31, R34	Res. 10 Ohm 1/10W 5% 0603 SMD	Panasonic - ECG	ERJ-3GEYJ100V

**Note 1:** The components listed in this Bill of Materials are representative of the PCB assembly. The released BOM used in manufacturing uses all RoHS-compliant components.

# MCP3911 ADC Evaluation Board for 16-Bit MCUs User's Guide

**TABLE B-1: BILL OF MATERIALS (BOM) (CONTINUED)**

Qty	Reference	Description	Manufacturer	Part Number
4	SW1, SW2, SW3, SW4	Switch Tact. 6 mm 160 GF H = 4.3 mm	Omron Electronics	B3S-1000P
1	U1	<b>DO NOT POPULATE</b> - IC dsPIC <sup>®</sup> MCU/DSP 256K 100 TQFP	Microchip	dsPIC33FJ256MC710-I/PF
4	U10	25 X 1 Header 1.27 mm pitch (100-pin socket)	Samtec, Inc.	MTMS-125-01-G-S-230
1	U11	IC Volt-Level Translator US-8	Texas Instruments	TXS0102DCUR
1	U2	IC LDO Reg. 500 mA 3.3V SOT-223-3	Microchip	MCP1825S-3302E/DB
1	U3	IC Reg. LDO 150 mA 3.3V SOT-223-3	Microchip	MCP1754ST-3302E/DB
1	U4	IC Reg. LDO 800 mA 5V SOT-223	National Semiconductor	LM1117MPX-5.0/NOPB
1	U5	3.3V Two-Channel Analog Front End SSOP-20	Microchip	MCP3911A0T-I/SS
2	U6, U7	Photocoupler Trans. Out 4-Minipak	Avago Technologies	HCPL-181-00CE
1	U8	IC Line Driver/Receiver RS232 20-TSSOP	Texas Instruments	SN75C3223PWR
1	U9	IC USB to UART 20 SSOP	Microchip	MCP2200-I/SS
1	X1	Crystal 10.000 MHz 18 pF SMD	Abrakon Corporation	ABLS-10.000MHZ-B4-T
1	X2	Crystal 7.3728 MHz 18 pF SMD	Abrakon Corporation	ABLS-7.3728MHZ-B4-T
1	X3	Cer. Resonator 12.0 MHz SMD	Murata Electronics	CSTCE12M0G55-R0

**Note 1:** The components listed in this Bill of Materials are representative of the PCB assembly. The released BOM used in manufacturing uses all RoHS-compliant components.

# Bill of Materials (BOM)

---

---

NOTES:



# MICROCHIP

## Worldwide Sales and Service

### AMERICAS

**Corporate Office**  
2355 West Chandler Blvd.  
Chandler, AZ 85224-6199  
Tel: 480-792-7200  
Fax: 480-792-7277  
Technical Support:  
<http://www.microchip.com/support>  
Web Address:  
[www.microchip.com](http://www.microchip.com)

**Atlanta**  
Duluth, GA  
Tel: 678-957-9614  
Fax: 678-957-1455

**Boston**  
Westborough, MA  
Tel: 774-760-0087  
Fax: 774-760-0088

**Chicago**  
Itasca, IL  
Tel: 630-285-0071  
Fax: 630-285-0075

**Cleveland**  
Independence, OH  
Tel: 216-447-0464  
Fax: 216-447-0643

**Dallas**  
Addison, TX  
Tel: 972-818-7423  
Fax: 972-818-2924

**Detroit**  
Farmington Hills, MI  
Tel: 248-538-2250  
Fax: 248-538-2260

**Indianapolis**  
Noblesville, IN  
Tel: 317-773-8323  
Fax: 317-773-5453

**Los Angeles**  
Mission Viejo, CA  
Tel: 949-462-9523  
Fax: 949-462-9608

**Santa Clara**  
Santa Clara, CA  
Tel: 408-961-6444  
Fax: 408-961-6445

**Toronto**  
Mississauga, Ontario,  
Canada  
Tel: 905-673-0699  
Fax: 905-673-6509

### ASIA/PACIFIC

**Asia Pacific Office**  
Suites 3707-14, 37th Floor  
Tower 6, The Gateway  
Harbour City, Kowloon  
Hong Kong  
Tel: 852-2401-1200  
Fax: 852-2401-3431

**Australia - Sydney**  
Tel: 61-2-9868-6733  
Fax: 61-2-9868-6755

**China - Beijing**  
Tel: 86-10-8569-7000  
Fax: 86-10-8528-2104

**China - Chengdu**  
Tel: 86-28-8665-5511  
Fax: 86-28-8665-7889

**China - Chongqing**  
Tel: 86-23-8980-9588  
Fax: 86-23-8980-9500

**China - Hangzhou**  
Tel: 86-571-2819-3187  
Fax: 86-571-2819-3189

**China - Hong Kong SAR**  
Tel: 852-2401-1200  
Fax: 852-2401-3431

**China - Nanjing**  
Tel: 86-25-8473-2460  
Fax: 86-25-8473-2470

**China - Qingdao**  
Tel: 86-532-8502-7355  
Fax: 86-532-8502-7205

**China - Shanghai**  
Tel: 86-21-5407-5533  
Fax: 86-21-5407-5066

**China - Shenyang**  
Tel: 86-24-2334-2829  
Fax: 86-24-2334-2393

**China - Shenzhen**  
Tel: 86-755-8203-2660  
Fax: 86-755-8203-1760

**China - Wuhan**  
Tel: 86-27-5980-5300  
Fax: 86-27-5980-5118

**China - Xian**  
Tel: 86-29-8833-7252  
Fax: 86-29-8833-7256

**China - Xiamen**  
Tel: 86-592-2388138  
Fax: 86-592-2388130

**China - Zhuhai**  
Tel: 86-756-3210040  
Fax: 86-756-3210049

### ASIA/PACIFIC

**India - Bangalore**  
Tel: 91-80-3090-4444  
Fax: 91-80-3090-4123

**India - New Delhi**  
Tel: 91-11-4160-8631  
Fax: 91-11-4160-8632

**India - Pune**  
Tel: 91-20-2566-1512  
Fax: 91-20-2566-1513

**Japan - Osaka**  
Tel: 81-66-152-7160  
Fax: 81-66-152-9310

**Japan - Yokohama**  
Tel: 81-45-471-6166  
Fax: 81-45-471-6122

**Korea - Daegu**  
Tel: 82-53-744-4301  
Fax: 82-53-744-4302

**Korea - Seoul**  
Tel: 82-2-554-7200  
Fax: 82-2-558-5932 or  
82-2-558-5934

**Malaysia - Kuala Lumpur**  
Tel: 60-3-6201-9857  
Fax: 60-3-6201-9859

**Malaysia - Penang**  
Tel: 60-4-227-8870  
Fax: 60-4-227-4068

**Philippines - Manila**  
Tel: 63-2-634-9065  
Fax: 63-2-634-9069

**Singapore**  
Tel: 65-6334-8870  
Fax: 65-6334-8850

**Taiwan - Hsin Chu**  
Tel: 886-3-5778-366  
Fax: 886-3-5770-955

**Taiwan - Kaohsiung**  
Tel: 886-7-536-4818  
Fax: 886-7-330-9305

**Taiwan - Taipei**  
Tel: 886-2-2500-6610  
Fax: 886-2-2508-0102

**Thailand - Bangkok**  
Tel: 66-2-694-1351  
Fax: 66-2-694-1350

### EUROPE

**Austria - Wels**  
Tel: 43-7242-2244-39  
Fax: 43-7242-2244-393

**Denmark - Copenhagen**  
Tel: 45-4450-2828  
Fax: 45-4485-2829

**France - Paris**  
Tel: 33-1-69-53-63-20  
Fax: 33-1-69-30-90-79

**Germany - Munich**  
Tel: 49-89-627-144-0  
Fax: 49-89-627-144-44

**Italy - Milan**  
Tel: 39-0331-742611  
Fax: 39-0331-466781

**Netherlands - Drunen**  
Tel: 31-416-690399  
Fax: 31-416-690340

**Spain - Madrid**  
Tel: 34-91-708-08-90  
Fax: 34-91-708-08-91

**UK - Wokingham**  
Tel: 44-118-921-5869  
Fax: 44-118-921-5820

11/29/11

## X-ON Electronics

Largest Supplier of Electrical and Electronic Components

*Click to view similar products for [Data Conversion IC Development Tools](#) category:*

*Click to view products by [Microchip](#) manufacturer:*

Other Similar products are found below :

[EV-AD5443/46/53SDZ](#) [EVAL-AD5063EBZ](#) [EVAL-AD5064EBZ](#) [EVAL-AD5361EBZ](#) [EVAL-AD5363EBZ](#) [EVAL-AD5373EBZ](#) [EVAL-AD5422LFEBZ](#) [EVAL-AD5629RSDZ](#) [EVAL-AD5755-1SDZ](#) [EVAL-AD5821AEBZ](#) [EVAL-AD7175-8SDZ](#) [EVAL-AD7262EDZ](#) [EVAL-AD7265EDZ](#) [EVAL-AD7366SDZ](#) [EVAL-AD7634EDZ](#) [EVAL-AD7641EDZ](#) [EVAL-AD7655EDZ](#) [EVAL-AD7674EDZ](#) [EVAL-AD7705EBZ](#) [EVAL-AD7718EBZ](#) [EVAL-AD7719EBZ](#) [EVAL-AD7730LEBZ](#) [EVAL-AD774142EBZ](#) [EVAL-AD7767-1EDZ](#) [EVAL-AD7873EBZ](#) [EVAL-AD7877EBZ](#) [EVAL-AD7995EBZ](#) [AD9114-DPG2-EBZ](#) [AD9122-M5372-EBZ](#) [AD9125-M5372-EBZ](#) [AD9148-EBZ](#) [AD9211-200EBZ](#) [AD9211-300EBZ](#) [AD9219-65EBZ](#) [AD9228-65EBZ](#) [AD9230-170EBZ](#) [AD9251-20EBZ](#) [AD9251-65EBZ](#) [AD9255-105EBZ](#) [AD9255-125EBZ](#) [AD9284-250EBZ](#) [AD9286-500EBZ](#) [AD9613-170EBZ](#) [AD9627-125EBZ](#) [AD9629-20EBZ](#) [AD9709-EBZ](#) [AD9716-DPG2-EBZ](#) [AD9737A-EBZ](#) [AD9739A-EBZ](#) [AD9740ACP-PCBZ](#)