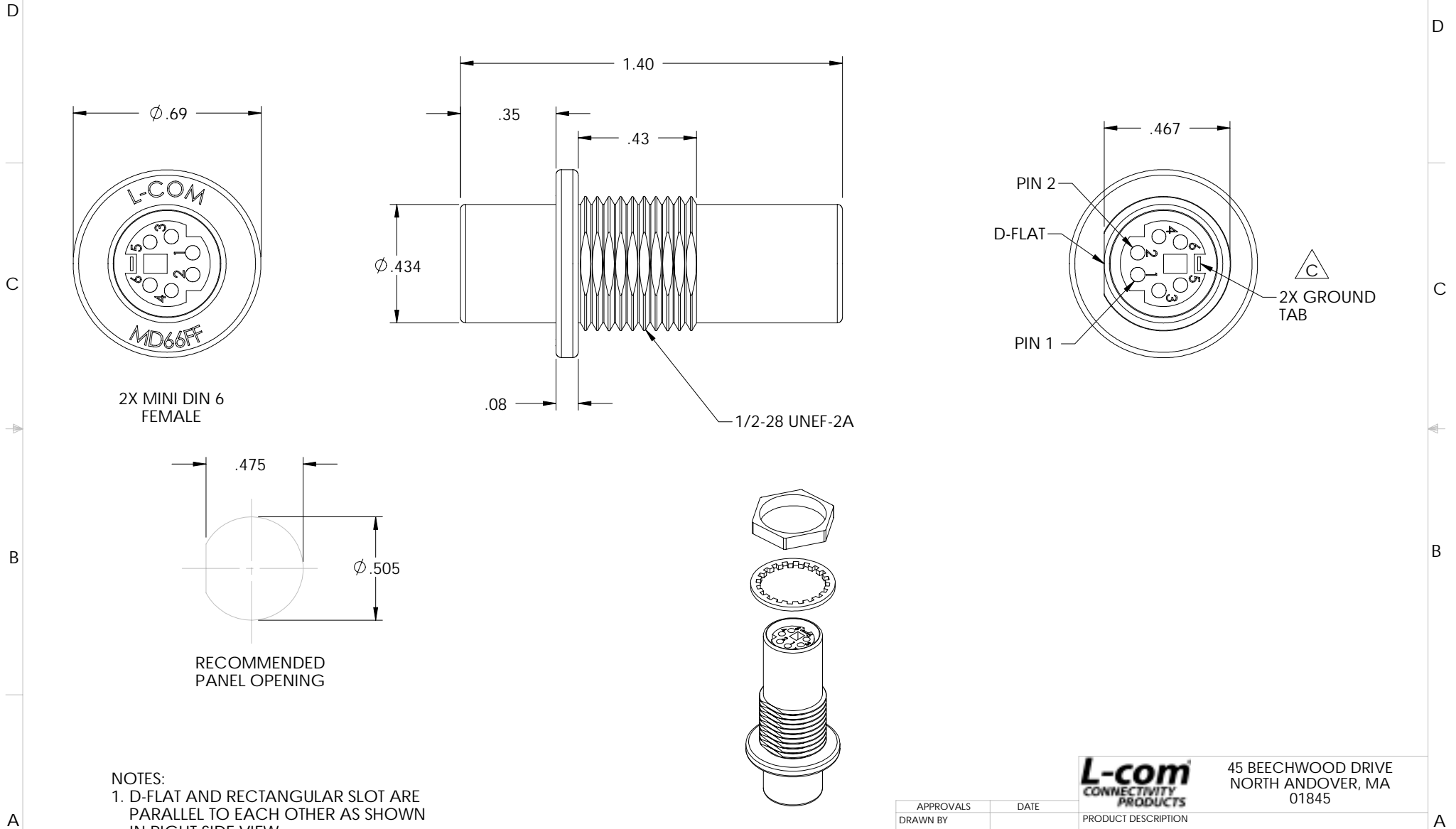


THE INFORMATION CONTAINED IN THIS DRAWING IS THE SOLE PROPERTY OF L-COM, INC. ANY REPRODUCTION IN PART OR WHOLE WITHOUT THE WRITTEN PERMISSION OF L-COM, INC. IS PROHIBITED.

REVISIONS			
REV	DESCRIPTION	DATE	APPROVED
.	RELEASED TO PRODUCTION	6/7/00	R.CARRICK
.	ROTATED LOGO ON CONNECTOR ECN #0769	11/01/00	R.CARRICK
C	ADDED GROUND TABS. SEE ECN # 1030	11/15/01	R. CARRICK



2X MINI DIN 6 FEMALE

RECOMMENDED PANEL OPENING

NOTES:

1. D-FLAT AND RECTANGULAR SLOT ARE PARALLEL TO EACH OTHER AS SHOWN IN RIGHT SIDE VIEW.
2. PINS ARE WIRED STRAIGHT THROUGH.
3. FINISH: NICKEL PLATED BRIGHT.
4. INTERNAL TOOTH LOCK WASHER AND HEX NUT INCLUDED.

UNLESS OTHERWISE SPECIFIED, DIMENSIONS ARE IN INCHES. TOLERANCES ARE:  
 .X  $\pm .1$   
 .XX  $\pm .05$   
 .XXX  $\pm .005$   
 CABLE LENGTH TOLERANCE  
 <300"  $\pm 5\%$  >300"  $\pm 2\%$

APPROVALS	DATE
DRAWN BY RON CARRICK	5/31/00
CHECKED BY DFP	6/6/2000
APPROVED BY RON CARRICK	6/7/2000

**L-com**  
CONNECTIVITY PRODUCTS  
 45 BEECHWOOD DRIVE  
 NORTH ANDOVER, MA  
 01845

PRODUCT DESCRIPTION  
**MINI DIN ADAPTORS**

DRAWING TITLE  
**OUTLINE DRAWING**

SIZE <b>A</b>	FSCM NO. <b>43321</b>	DWG. NO. <b>MD66FF-OD1</b>	REV. <b>C</b>
SCALE: 1:1		CAD FILE: MD66FF-OD1.SLDDRW	SHEET 1 OF 1

CONFIGURATION DETAILS OF UNDIMENSIONED FEATURES MAY VARY

## X-ON Electronics

Largest Supplier of Electrical and Electronic Components

*Click to view similar products for [l-com manufacturer](#):*

Other Similar products are found below :

[FOA-550A](#) [SDRA15AG](#) [UMC-201](#) [CSMN50MF-5](#) [CSMNB15MF-15](#) [TRD815RA2BL-5](#) [CA3N050](#) [CA3A-90DA-1M](#) [U3A00003-03M](#)  
[CTLF3VGAMM-20](#) [HDCAMM-3](#) [U3A00014-03M](#) [ECF-SK-25](#) [CSMT15MF-10](#) [CSMT15MM-15](#) [CSMT15MM-25](#) [CSPL15MF-50](#)  
[CSPL25MF-25](#) [CSPL9MF-10](#) [CSPL9MF-5](#) [CSPL25MF-5](#) [CSPL25MF-2.5](#) [AL-IPEPS](#) [NB201611-10F-1](#) [TDG1026KC5-MNL](#) [NB121005-](#)  
[10F](#) [TRD855SRA6DBL-05M](#) [TRD855SRA6DBL-10M](#) [TRD855SRA7DBL-1M](#) [TRD855SRA7DBL-10M](#) [PR175SCDLCQ24](#) [TRG508-T4T-](#)  
[3M](#) [TRA5261-15F](#) [TRA5261S-1F](#) [TRA6261-1F](#) [TRA6261-10F](#) [USBBFT](#) [DGB25M](#) [CASATAL-18](#) [CSM25MM-10](#) [CSM37MF-10](#)  
[CSUSB-100](#) [CA3A-90RA-1M](#) [CA3A-90RMICB-1M](#) [U2A00003-3M](#) [U3A00003-05M](#) [U2A00008-12I](#) [U3A00056-03M](#) [U3A00007-075M](#)  
[U3A00007-1M](#)