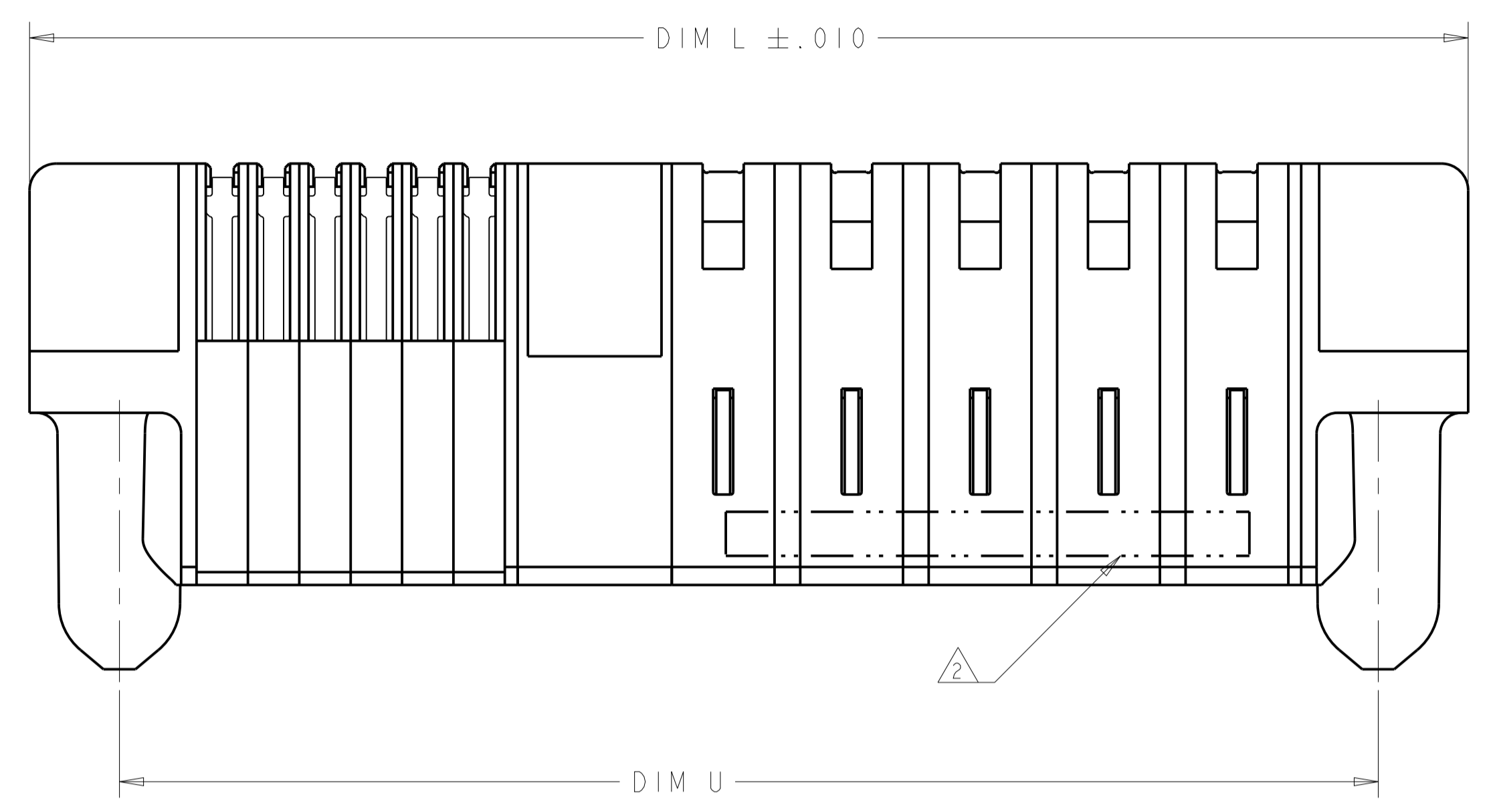
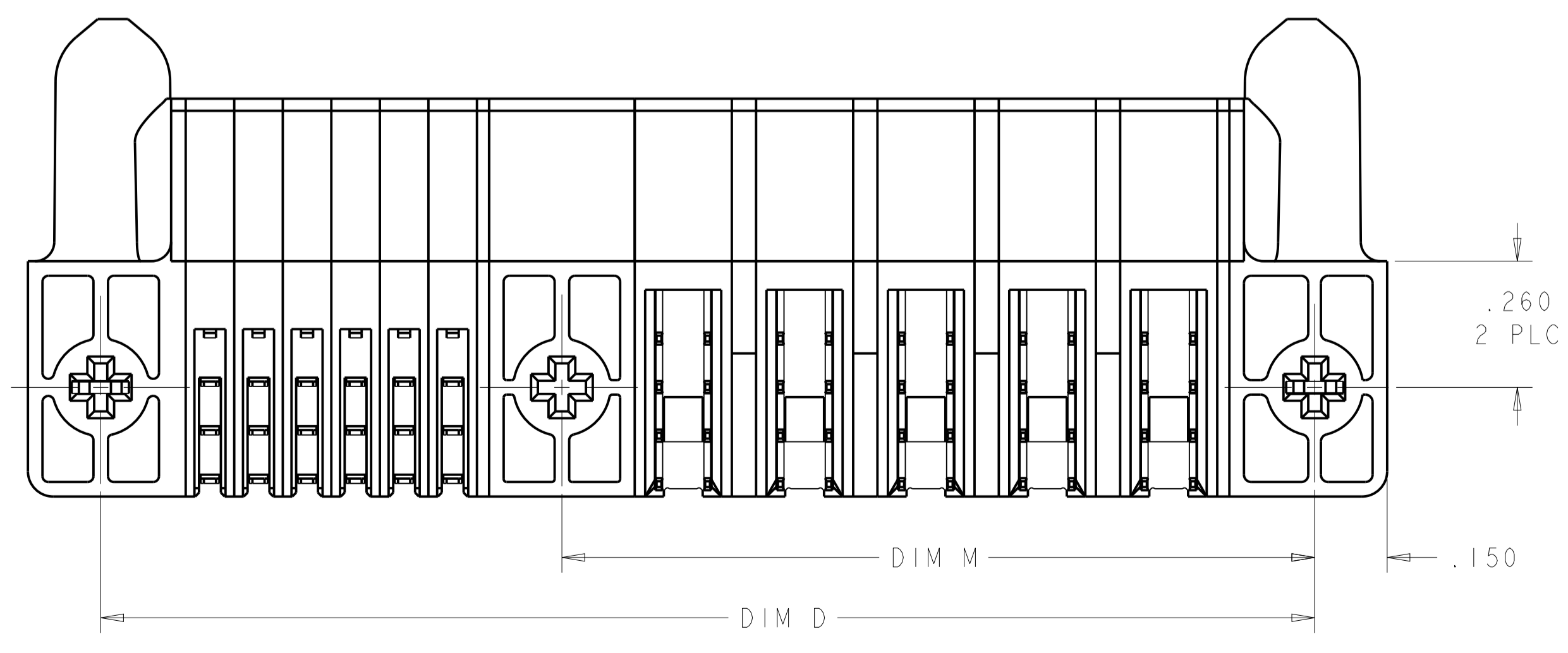
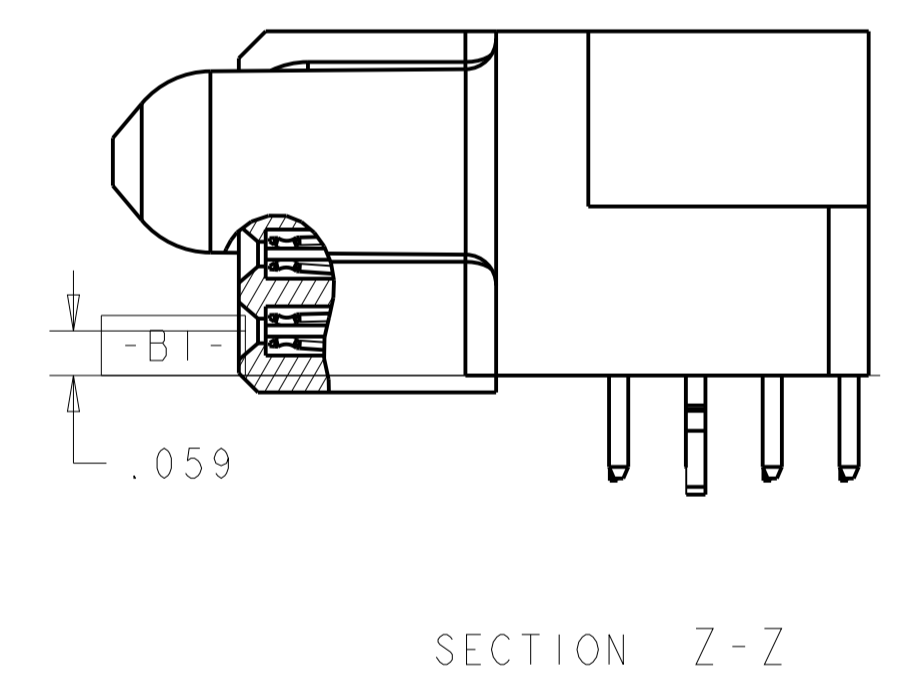
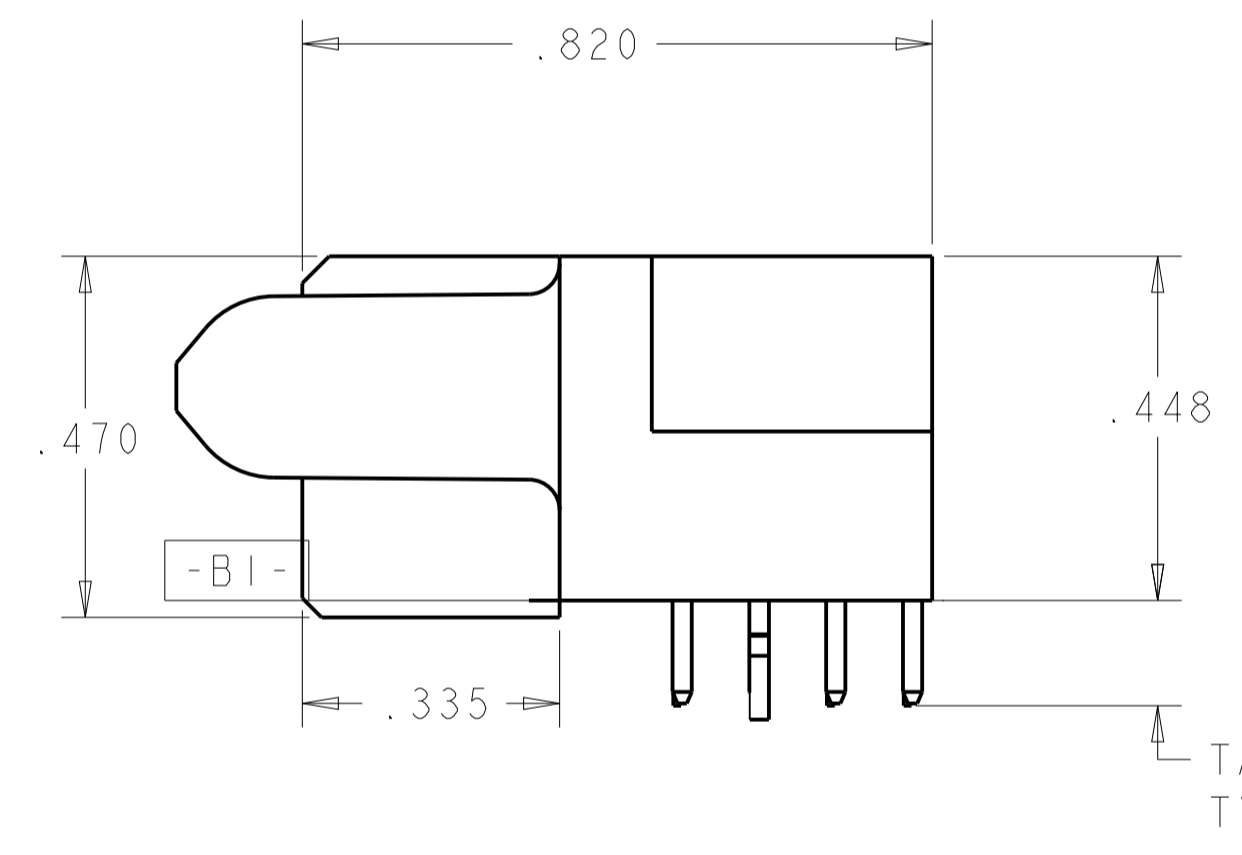
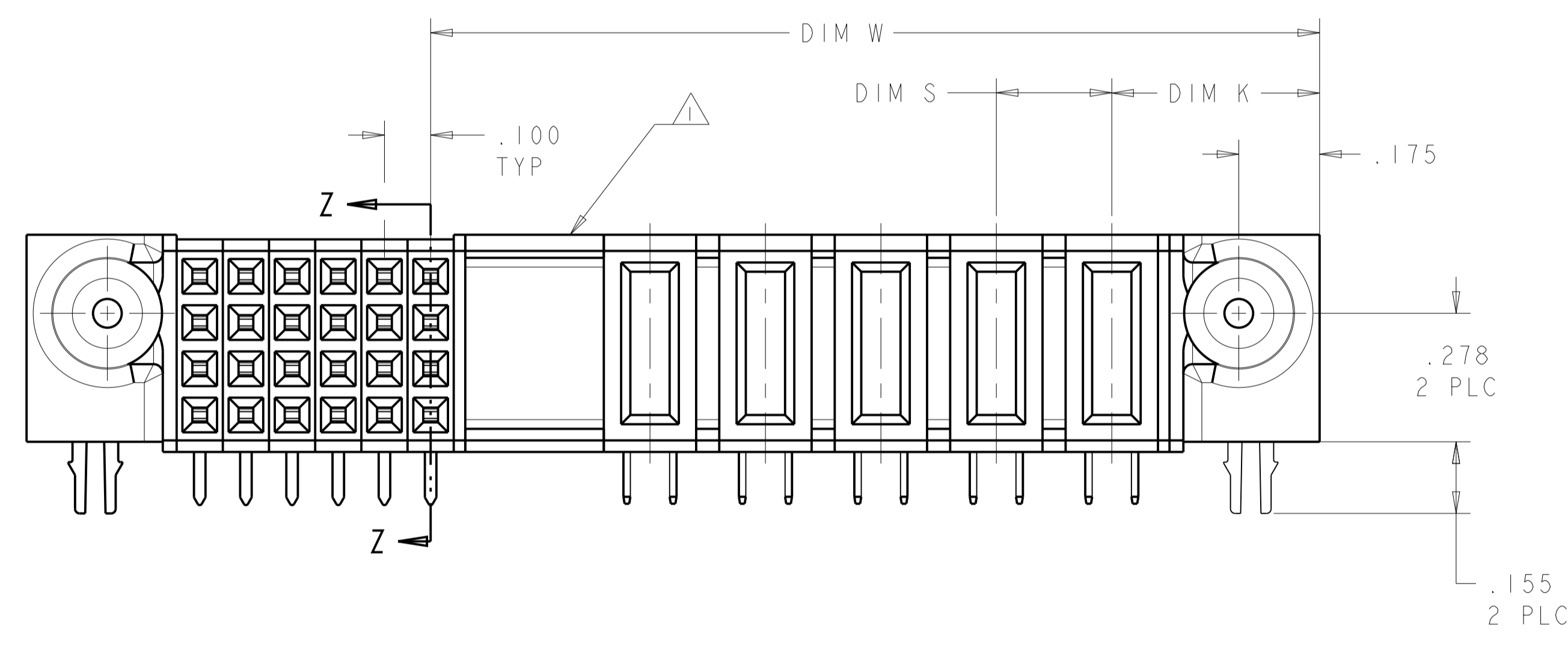


LOC	DIST	REVISIONS					
		P	LTN	DESCRIPTION	DATE	DMN	APVD
E3				ADD NEW DASH NUMBER -14	7JAN2012	OL	SZ
E4				ADDED NEW DASH NUMBER -15	23JAN2013	CZ	SZ
E5				ADD FRONT VIEW FOR PART 1-5	05FEB2013	CZ	SZ
E9				ADD NEW DASH NUMBER 1-6	11AUG2014	AL	SZ



- 1 OPTIONAL CENTER MODULE WITH $\varnothing .150$ THRU HOLE OR HOLD DOWN FEATURE.
- 2 "AMP", PART NUMBER, AND DATE CODE TO BE MARKED IN AREA SHOWN.
- 3 MATERIAL: HOUSING - GLASS FILLED HIGH TEMP THERMO PLASTIC, UL94 V-0
 SIGNAL CONTACT - HIGH CONDUCTIVITY COPPER ALLOY
 POWER CONTACT - HIGH CONDUCTIVITY COPPER ALLOY
- 4 CONTACT PLATING: NOBLE METAL PLATING ON FUNCTIONAL AREA FOR SIGNAL AND POWER CONTACTS
- 5 MECHANICAL CONNECTOR KEEP OUT ZONE.
- 6 DATUM AND BASIC DIMENSIONS ESTABLISHED BY CUSTOMER.
- 7 PCB - ALL HOLE DIAMETERS ARE FINISHED HOLE SIZES.
- 8 PCB - .0453 +/- .0010 DRILLED HOLES PLATES WITH .0003 MIN Sn OVER .001 TO .003 PLATING TO ACHIEVE A .040 DIA. HOLE.
- 9 NOT RELEASED FOR PRODUCTION.



U	S	W	D	M	L	K	DESCRIPTION	PART NUMBER
2.400	.250	1.875	2.450	-	2.750	.450	6P + 24S	1-6450162-6
2.400	.250	1.875	2.450	-	2.750	.450	6P + 24S	1-6450162-5
1.900	.250	1.375	1.950	-	2.250	.450	4P + 24S	1-6450162-4
1.600	.250	1.375	1.650	-	1.950	.450	4P + 12S	1-6450162-2
1.000	.250	.875	1.050	-	1.350	.450	2P + 8S	1-6450162-1
2.900	.250	2.375	2.950	-	3.250	.450	8P + 24S	6450162-9
3.800	.250	2.875	3.850	-	4.150	.450	10P + 40S	6450162-8
1.650	.200	1.225	1.700	-	2.000	.450	4P + 20S	6450162-7
1.700	.250	1.375	1.750	-	2.050	.450	4P + 16S	6450162-5
2.675	.250	2.125	2.725	-	3.025	.450	7P + 24S	6450162-2
4.600	.250	3.875	4.650	-	4.950	.450	14P + 32S	6450162-1

THIS DRAWING IS A CONTROLLED DOCUMENT. DMN: R. GRZYBOWSKI, APVD: M. PERCHERKE

DIMENSIONS: INCHES. TOLERANCES UNLESS OTHERWISE SPECIFIED: 0 PLC ±.01, 2 PLC ±.01, 3 PLC ±.005, 4 PLC ±.0020, ANGLES ±.020

MATERIAL: FINISH: 3, 4

Customer Drawing

THIS DRAWING IS A CONTROLLED DOCUMENT. DMN: R. GRZYBOWSKI, APVD: M. PERCHERKE

PRODUCT SPEC: 108-1973

APPLICATION SPEC: 114-13038

SIZE: 114-13038

WEIGHT: -

Customer Drawing

SCALE: 4:1

SHEET 1 OF 5

REV: E9

STE TE Connectivity

RIGHT ANGLE RECEPTACLE ASSEMBLY WITH GUIDES MULTI-BEAM XL

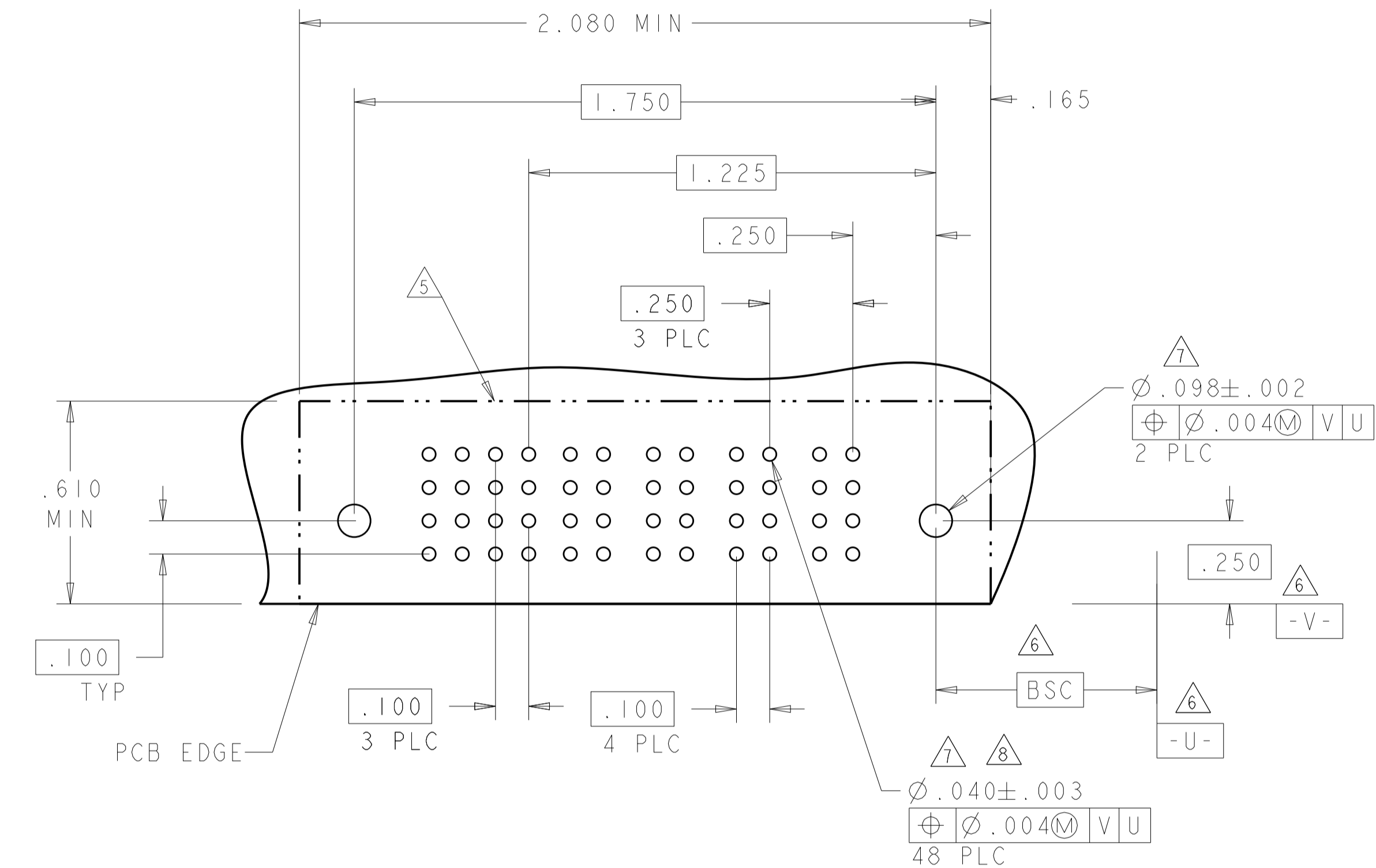
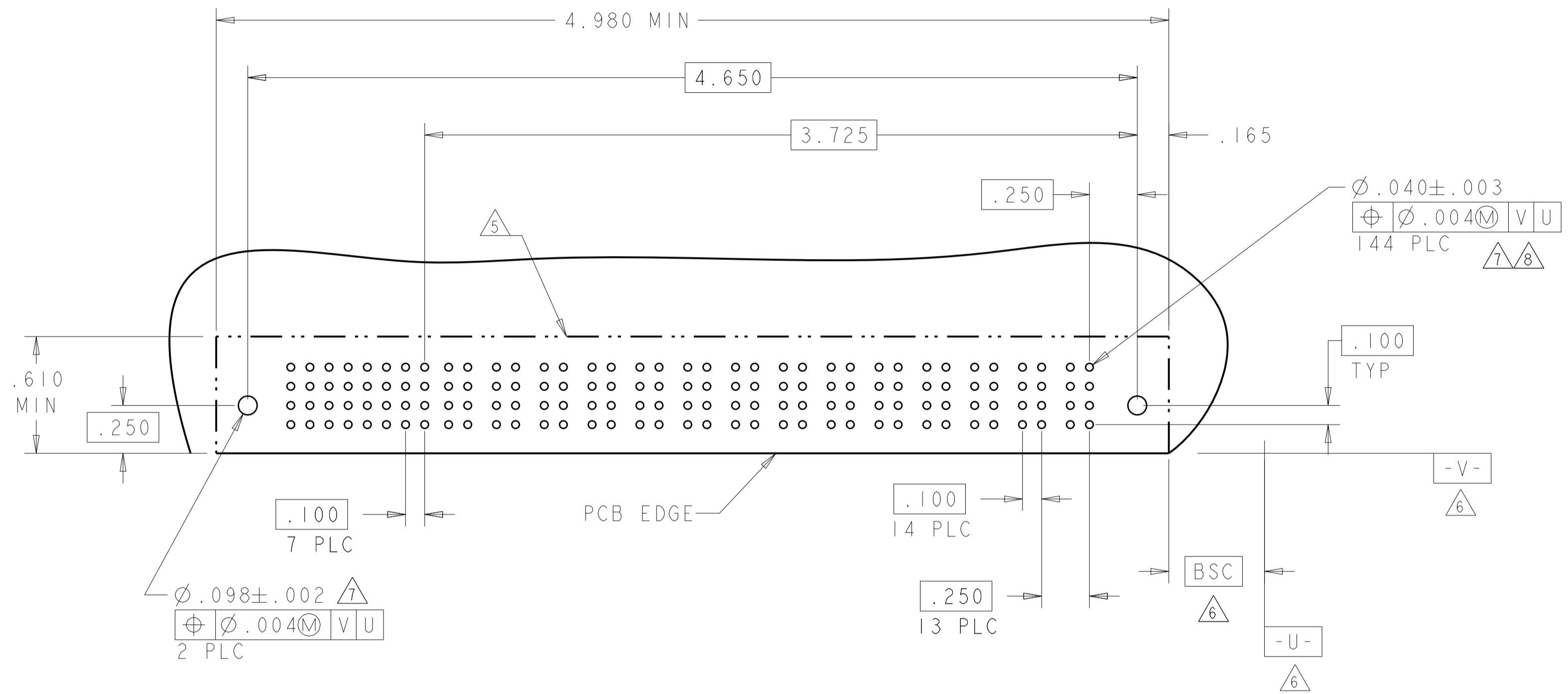
SIZE: CAGE CODE: DRAWING NO: 100779, C=6450162

LOC	DIST	REV	DATE	BY	APPV
ES	00				

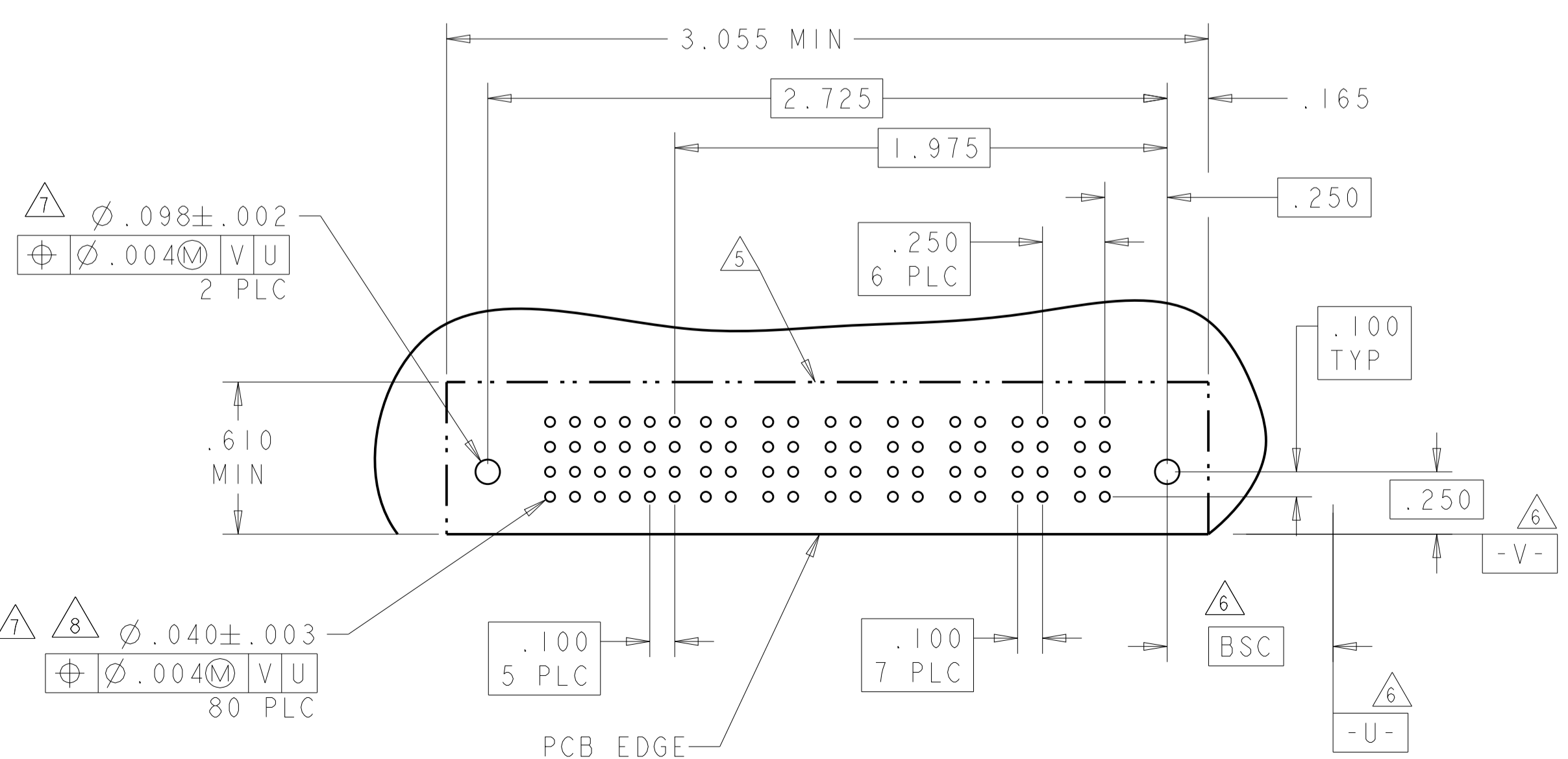
REVISIONS		DATE	BY	APPV
1	SEE SHEET 1			

PART NUMBER	ROWS	SIGNAL								POWER													
		8	7	6	5	4	3	2	1	PI4	PI3	PI2	PI1	PI0	P9	P8	P7	P6	P5	P4	P3	P2	P1
6450162-1	D C B A	H	H	H	H	H	H	H	H	RA	RA	RA	RA	RA	RA	RA	RA	RA	RA	RA	RA	RA	RA
		G	G	G	G	G	G	G	G														
		F	F	F	F	F	F	F	F														
14P + 32S		E	E	E	E	E	E	E															

PART NUMBER	ROWS	SIGNAL				POWER			
		4	3	2	1	P4	P3	P2	P1
6450162-5	D C B A	H	H	H	H	RA	RA	RA	RA
		G	G	G	G				
		F	F	F	F				
4P + 16S		E	E	E	E				



PART NUMBER	ROWS	SIGNAL						POWER						
		6	5	4	3	2	1	P7	P6	P5	P4	P3	P2	P1
6450162-2	D C B A	H	H	H	H	H	H	RA	RA	RA	RA	RA	RA	RA
		G	G	G	G	G	G							
		F	F	F	F	F	F							
7P + 24S		E	E	E	E	E	E							



CODE	DESCRIPTION	ROW
RN	STD POWER-.090 TAIL	-
RM	STD POWER-.135 TAIL	-
RB	MFBL POWER-.090 TAIL	-
RA	MFBL POWER-.135 TAIL	-
L	.090 TAIL LENGTH SIGNAL	D
K	.090 TAIL LENGTH SIGNAL	C
J	.090 TAIL LENGTH SIGNAL	B
I	.090 TAIL LENGTH SIGNAL	A
H	.135 TAIL LENGTH SIGNAL	D
G	.135 TAIL LENGTH SIGNAL	C
F	.135 TAIL LENGTH SIGNAL	B
E	.135 TAIL LENGTH SIGNAL	A

CONTACT TABLE

THIS DRAWING IS A CONTROLLED DOCUMENT.

DIMENSIONS: INCHES	TOLERANCES UNLESS OTHERWISE SPECIFIED:	OWN: R. GRZYBOWSKI	21FEB05
0 PLC ± .01	1 PLC ± .01	CHK: M. PERCHERKE	21FEB05
2 PLC ± .01	3 PLC ± .005	APVD: M. PERCHERKE	
4 PLC ± .002	ANGLES ± .002	PRODUCT SPEC	
MATERIAL: -	FINISH: -	APPLICATION SPEC	108-1973
		WEIGHT: -	114-13038
		Customer Drawing	

STE TE Connectivity

RIGHT ANGLE RECEPTACLE ASSEMBLY WITH GUIDES MULTI-BEAM XL

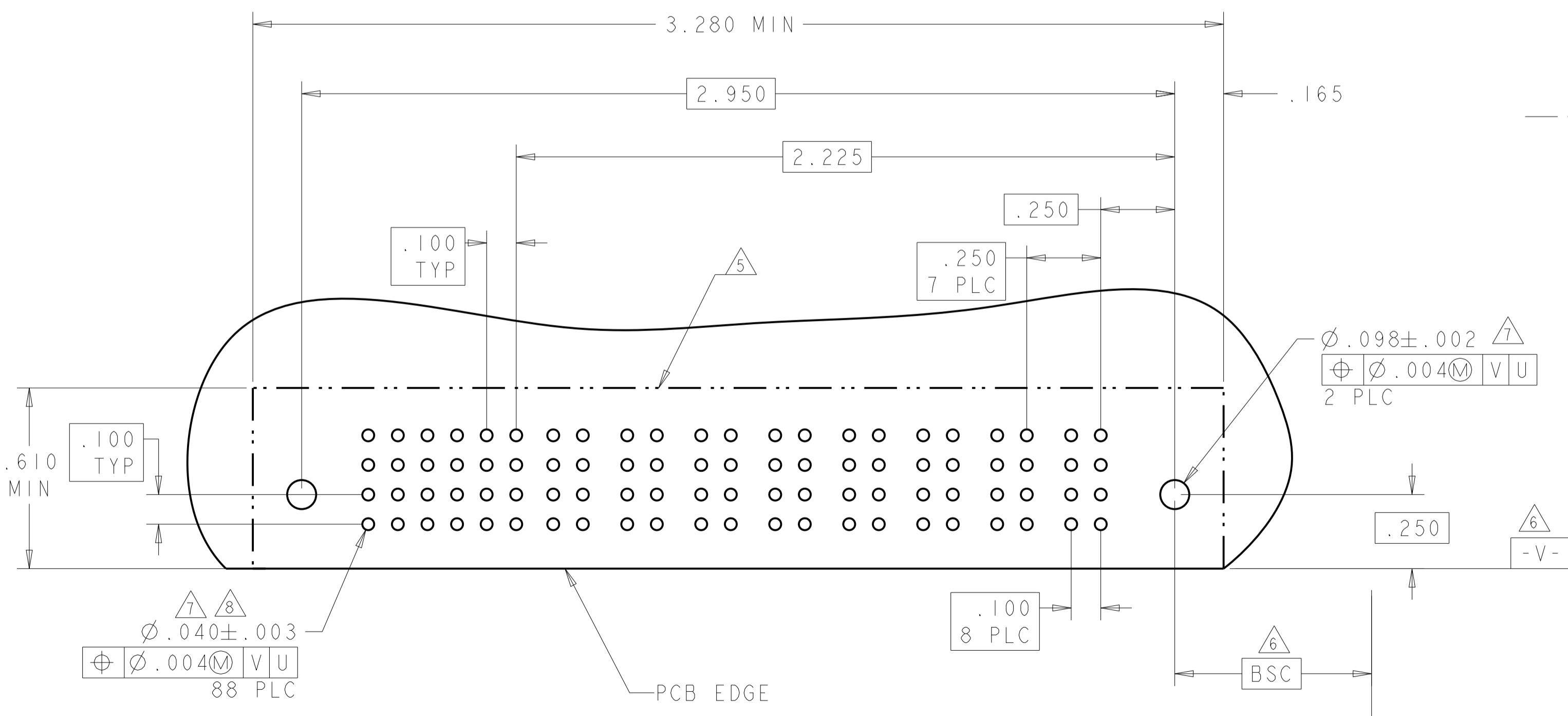
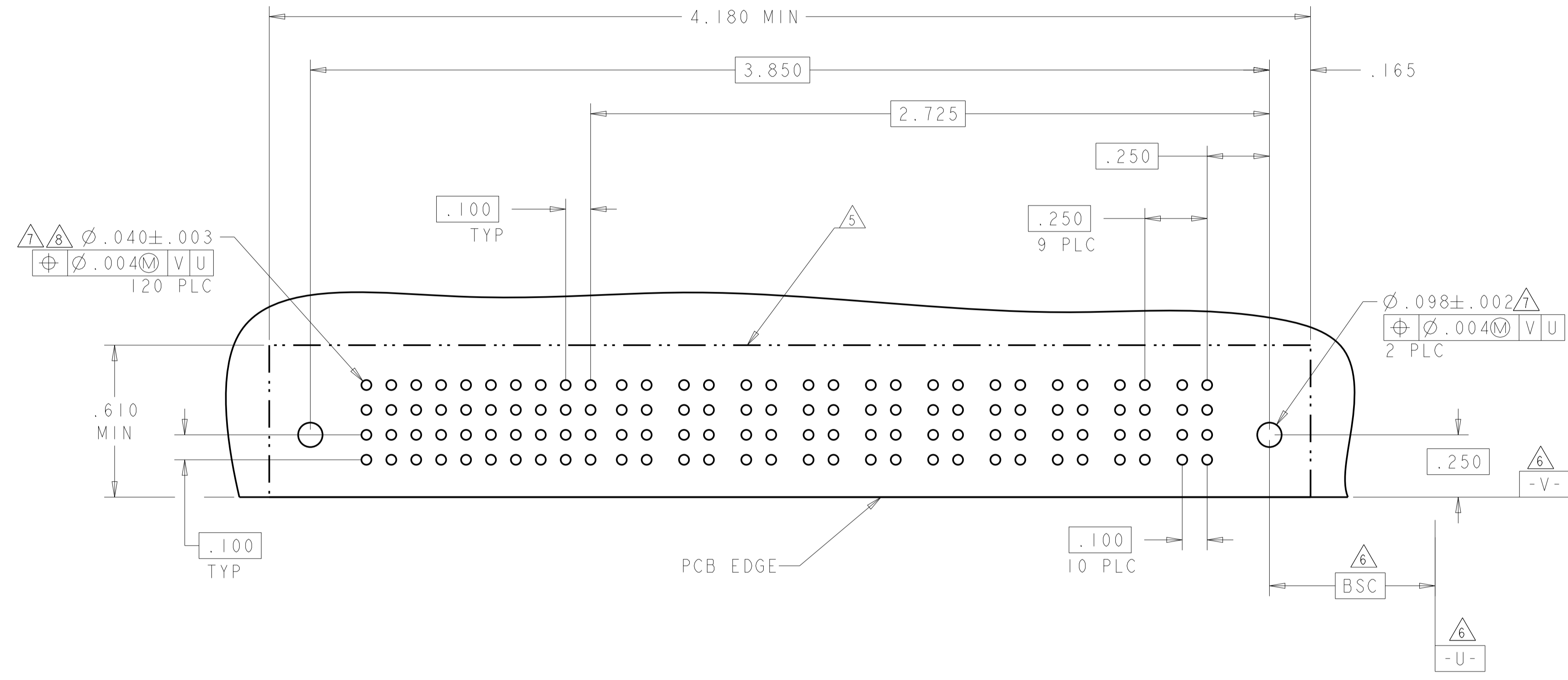
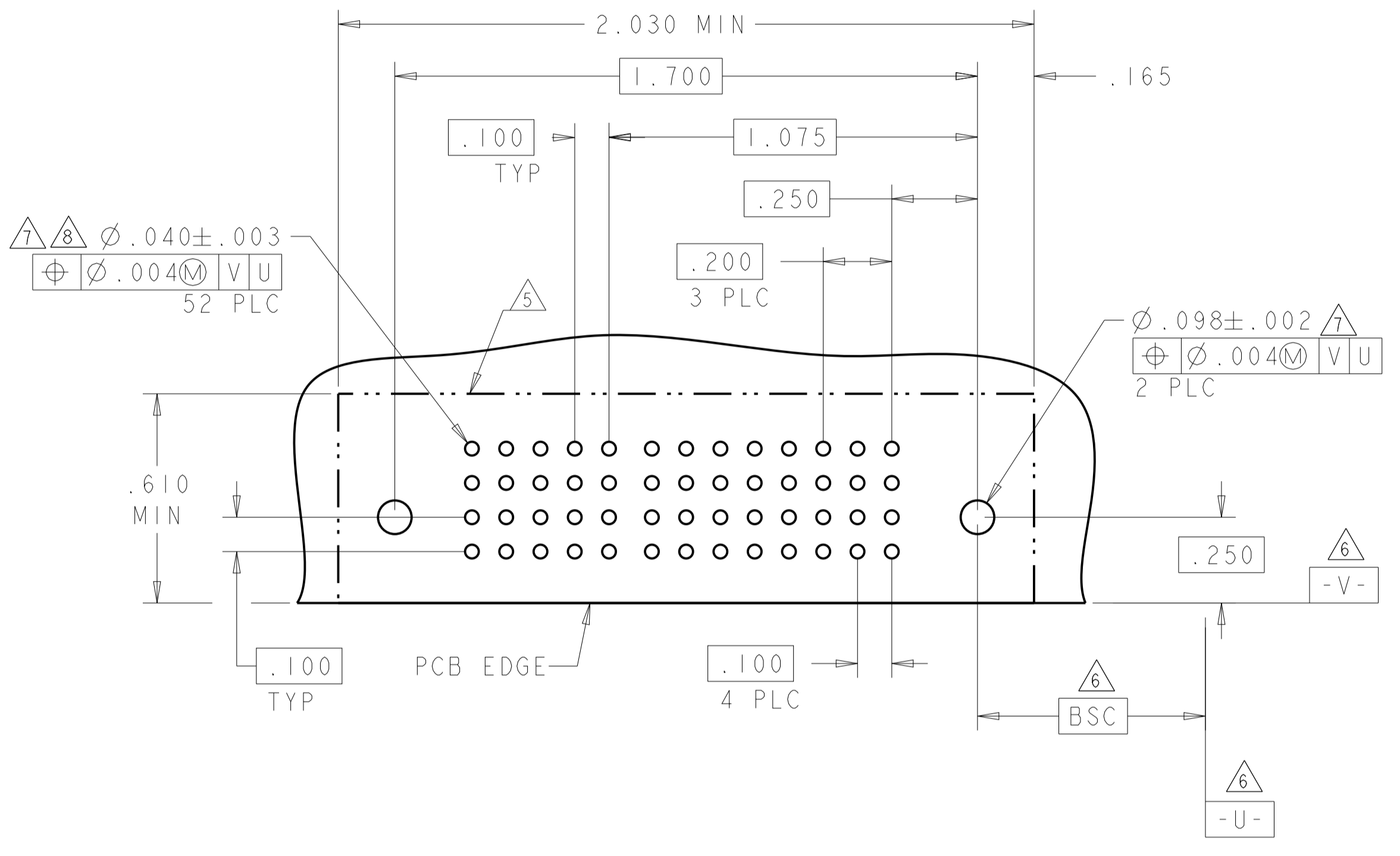
SIZE: CAGE CODE DRAWING NO: A100779 ©=6450162

SCALE: 1:1 SHEET 2 OF 5 REV: E9

LOC	DIST	REV	DATE	BY	APPR
ES	00				

PART NUMBER	ROWS	SIGNAL					POWER				
		5	4	3	2	1	P4	P3	P2	P1	
6450162-7	D C B A	H	H	H	H	H	RA	RA	RA	RA	
		G	G	G	G	G					
		F	F	F	F	F					
		E	E	E	E	E					
4P + 20S		HD								HD	

PART NUMBER	ROWS	SIGNAL										POWER									
		10	9	8	7	6	5	4	3	2	1	P10	P9	P8	P7	P6	P5	P4	P3	P2	P1
6450162-8	D C B A	L	L	L	L	L	L	L	L	L	L	RN	RN	RN	RN	RN	RN	RN	RN	RN	RN
		K	K	K	K	K	K	K	K	K	K										
		J	J	J	J	J	J	J	J	J	J										
		I	I	I	I	I	I	I	I	I	I										
10P + 40S		HD																		HD	



PART NUMBER	ROWS	SIGNAL					POWER								
		6	5	4	3	2	1	P8	P7	P6	P5	P4	P3	P2	P1
6450162-9	D C B A	H	H	H	H	H	RM	RM	RM	RM	RM	RM	RM	RM	RM
		G	G	G	G	G									
		F	F	F	F	F									
		E	E	E	E	E									
8P + 24S		HD												HD	

THIS DRAWING IS A CONTROLLED DOCUMENT.

OWN: R. GRZYBOWSKI 21FEB05
 CHK: M. PERCHERKE 21FEB05
 APVD: M. PERCHERKE

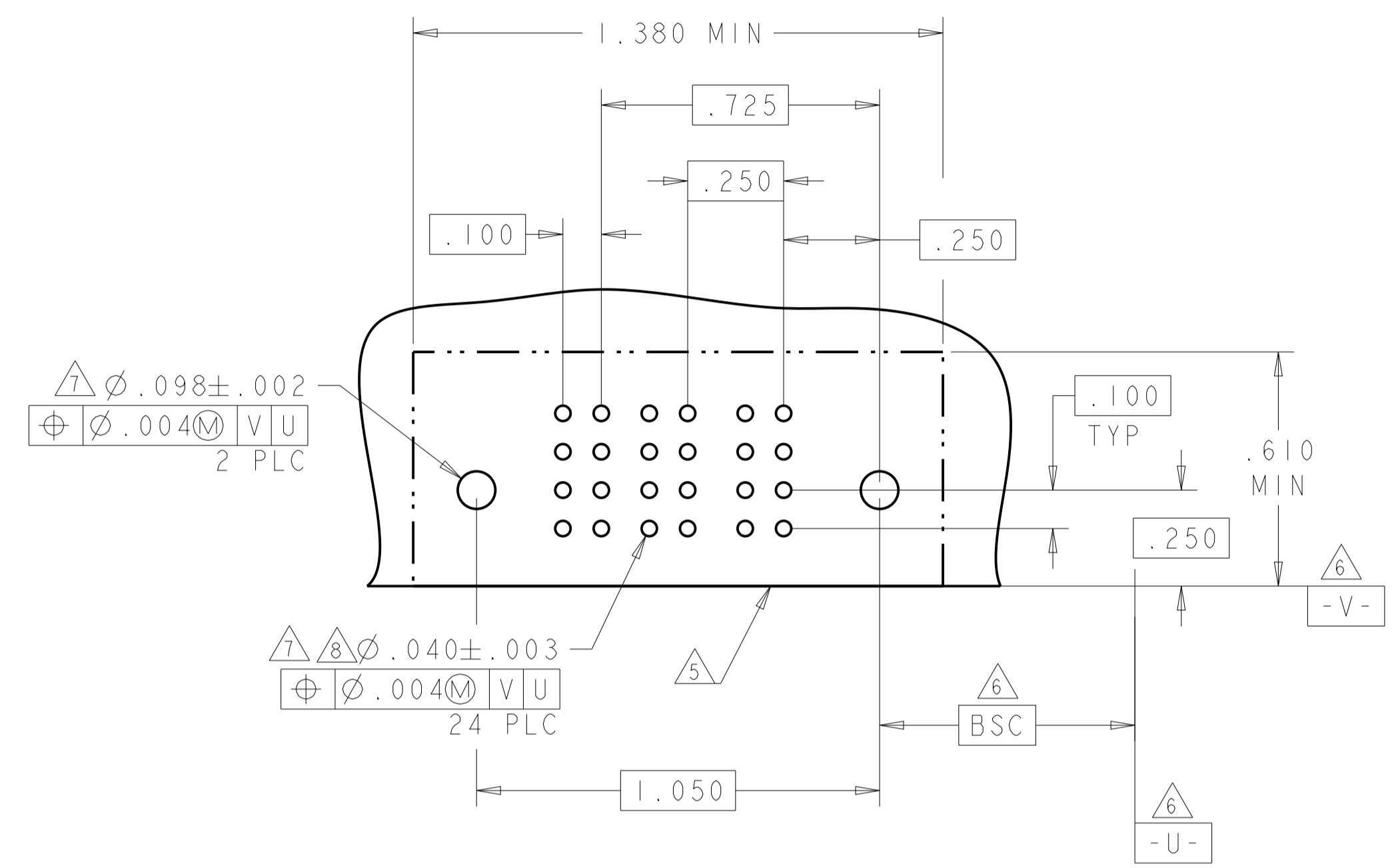
TE Connectivity

RIGHT ANGLE RECEPTACLE ASSEMBLY WITH GUIDES MULTI-BEAM XL

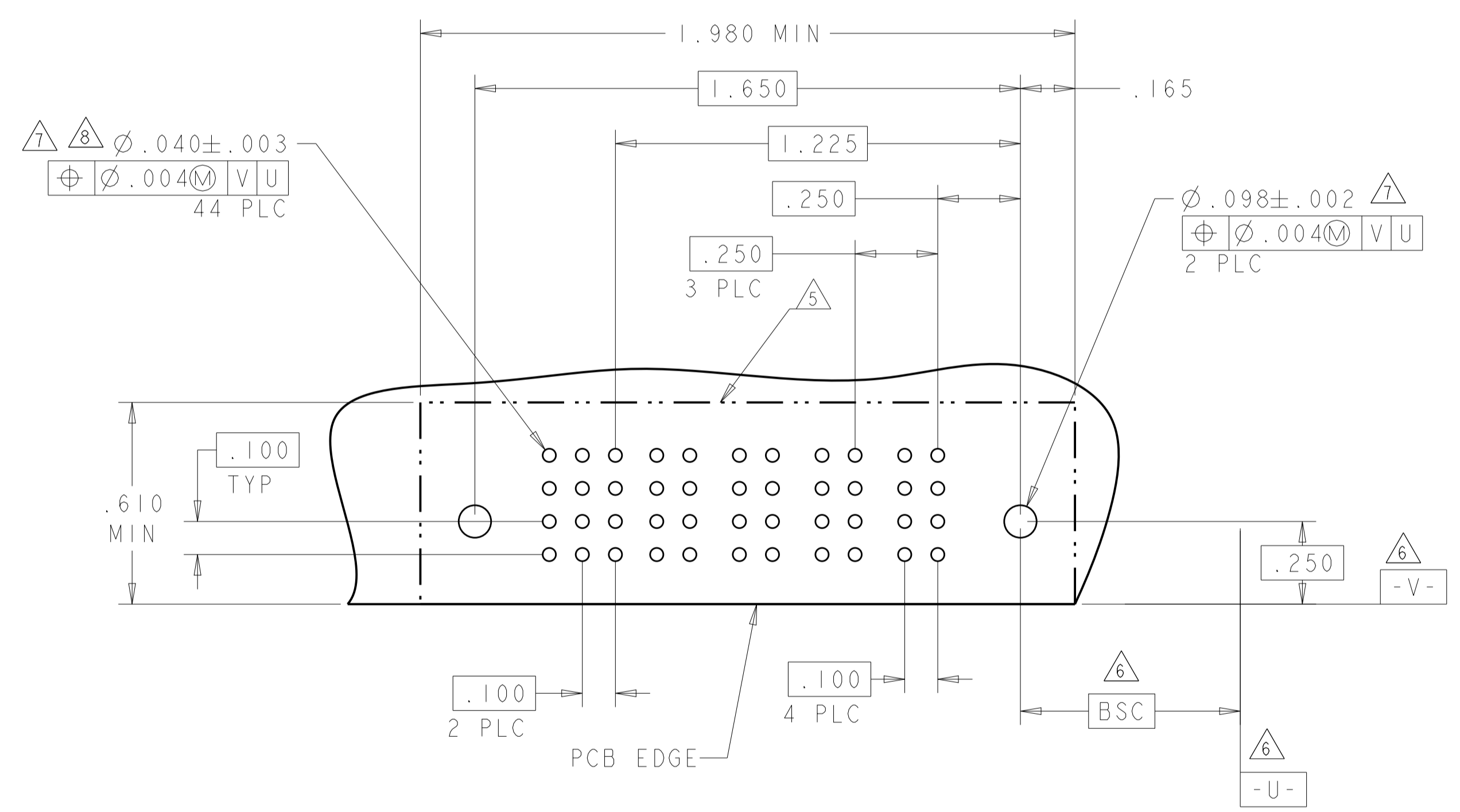
SCALE: 4:1 SHEET 3 OF 5 REV: E9

LOC	DIST	REVISIONS			
ES	00	REV	DATE	BY	APPV
-	-	SEE SHEET 1	-	-	-

PART NUMBER	ROWS	SIGNAL		POWER	
		2	1	P1	P2
1-6450162-1	D C B A	H G F E	H G F E	RM	RM
2P + 8S					



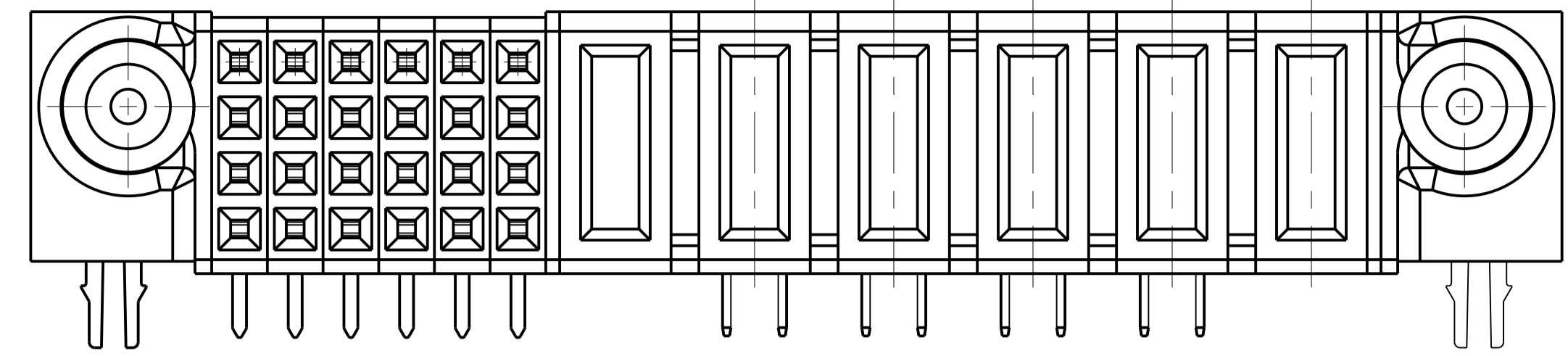
PART NUMBER	ROWS	SIGNAL			POWER			
		3	2	1	P4	P3	P2	P1
1-6450162-2	D C B A	H G F E	H G F E	H G F E	RM	RM	RM	RM
4P + 12S								



THIS DRAWING IS A CONTROLLED DOCUMENT.		OWN R. GRZYBOWSKI	21FEB05		TE Connectivity
DIMENSIONS: INCHES		CHK M. PERCHERKE	21FEB05		NAME RIGHT ANGLE RECEPTACLE ASSEMBLY WITH GUIDES MULTI-BEAM XL
TOLERANCES UNLESS OTHERWISE SPECIFIED:		APVD M. PERCHERKE	-	PRODUCT SPEC	
0 PLC ±.01		PRODUCT SPEC		108-1973	
2 PLC ±.01		APPLICATION SPEC		114-13038	
3 PLC ±.005		WEIGHT		A100779C=6450162	
4 PLC ±.0020		RESTRICTED TO		Customer Drawing	
ANGLES ±.020		SCALE		4:1	
FINISH		SHEET		4 OF 5	
MATERIAL		REV		E9	

LOC		DIST		REVISONS			
ES	00	P	LTN	DESCRIPTION	DATE	DWN	APVD
				SEE SHEET 1			

PART NUMBER	ROWS	SIGNAL						POWER			
		6	5	4	3	2	1	P4	P3	P2	P1
I-6450162-4	D C B A	H	H	H	H	H	H	RM	RM	RM	RM
		G	G	G	G	G	G				
		F	F	F	F	F	F				
		E	E	E	E	E	E				
4P + 24S											

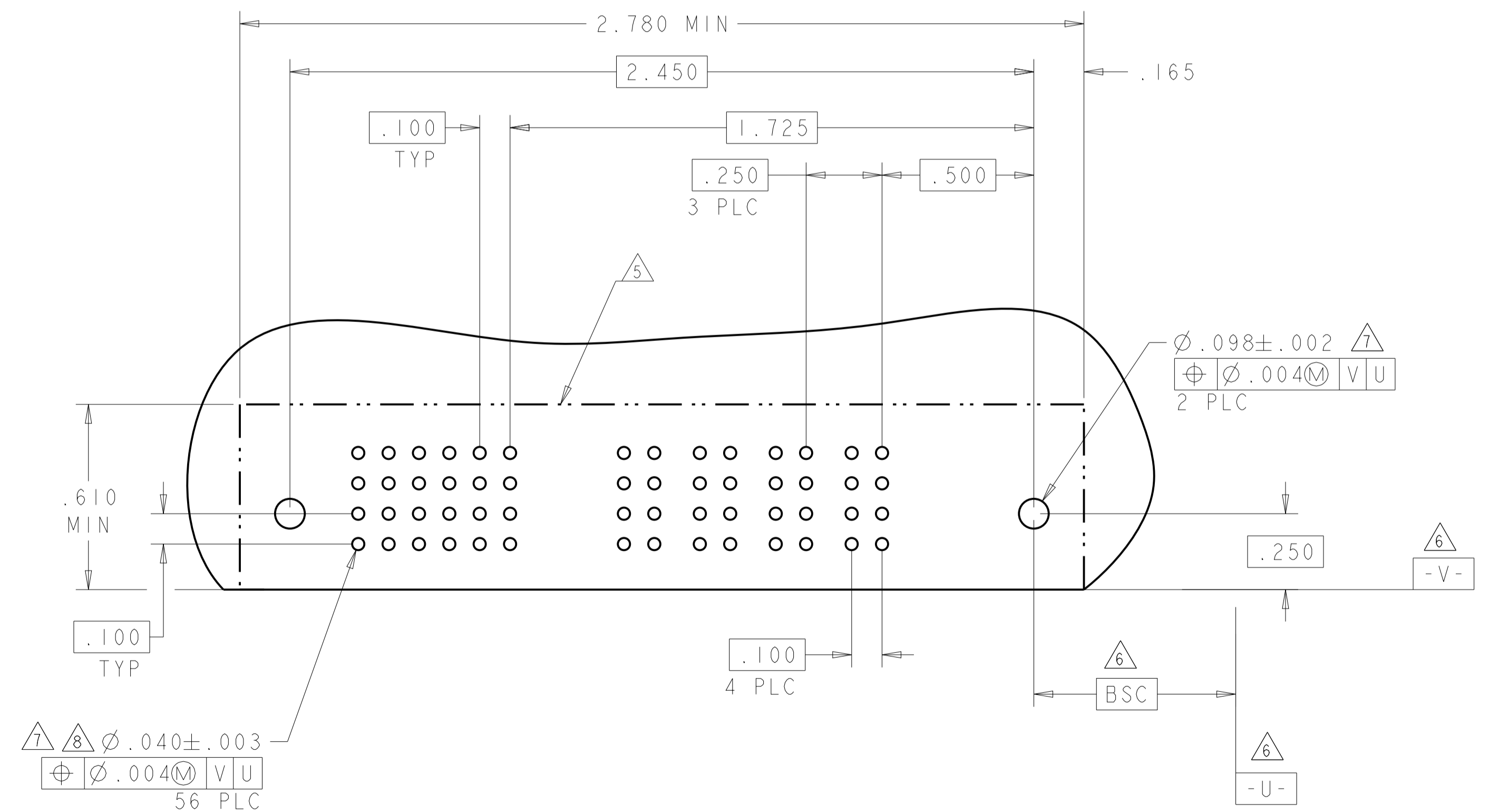
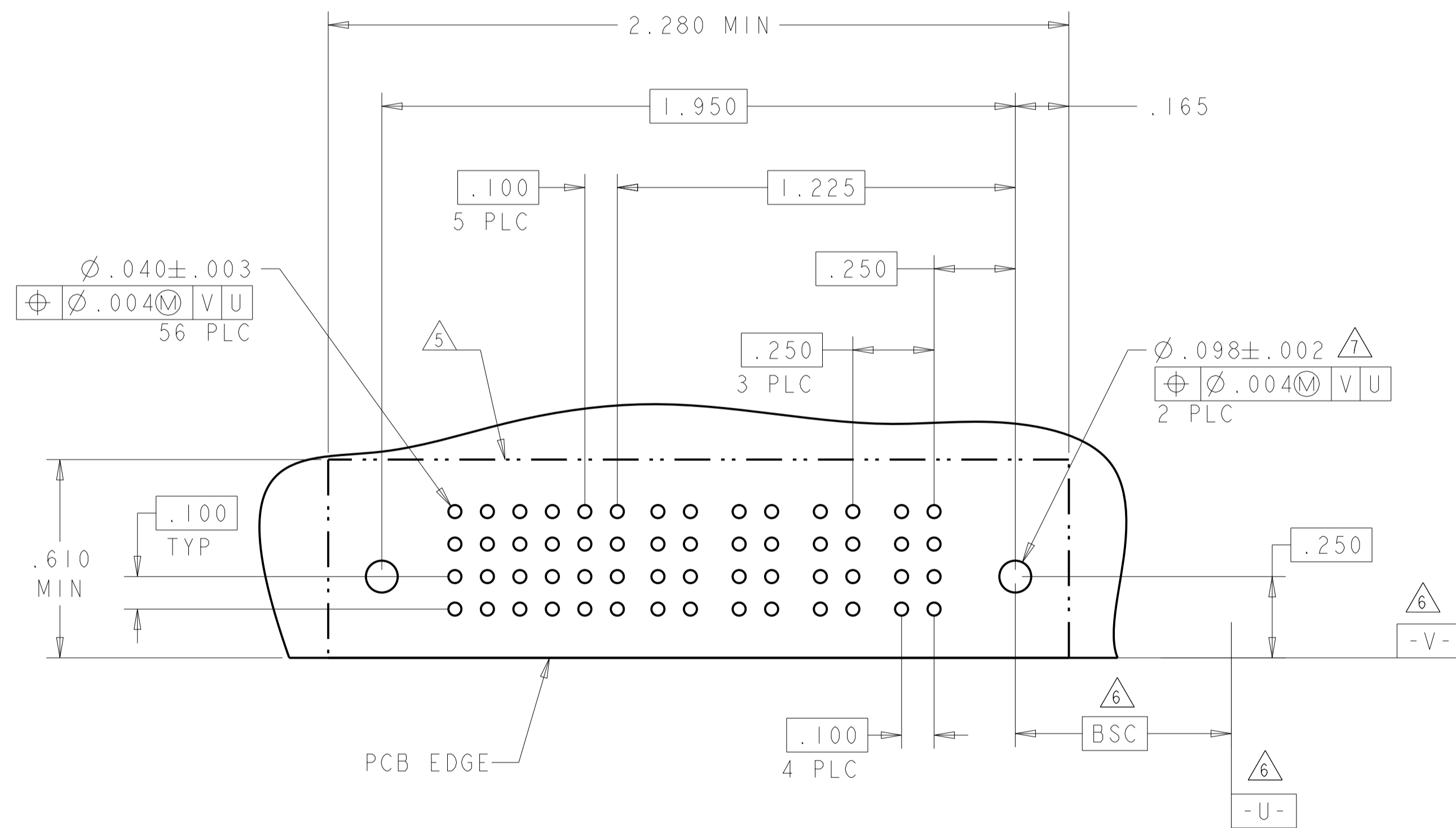


PART NUMBER	ROWS	SIGNAL						POWER					
		6	5	4	3	2	1	P6	P5	P4	P3	P2	P1
I-6450162-5	D C B A	H	H	H	H	H	H	RM	RM	RM	RM	RM	RM
		G	G	G	G	G	G						
		F	F	F	F	F	F						
		E	E	E	E	E	E						
6P + 24S													

NO CONTACTS LOADED

PART NUMBER	ROWS	SIGNAL						POWER					
		6	5	4	3	2	1	P6	P5	P4	P3	P2	P1
I-6450162-6	D C B A	L	L	L	L	L	L	RN	RN	RN	RN	RN	RN
		K	K	K	K	K	K						
		J	J	J	J	J	J						
		I	I	I	I	I	I						
6P + 24S													

NO CONTACTS LOADED



THIS DRAWING IS A CONTROLLED DOCUMENT.		DWN: R. GRZYBOWSKI 21FEB05	STE TE Connectivity
DIMENSIONS: INCHES		CHK: M. PERCHERKE 21FEB05	
TOLERANCES UNLESS OTHERWISE SPECIFIED:		APVD: M. PERCHERKE	NAME: RIGHT ANGLE RECEPTACLE ASSEMBLY WITH GUIDES MULTI-BEAM XL
0 PLC ±.01		PRODUCT SPEC: 108-1973	SIZE: 114-13038
1 PLC ±.01		APPLICATION SPEC: 114-13038	WEIGHT: -
2 PLC ±.01		APPLIC. SPEC: 114-13038	FINISH: -
3 PLC ±.01		APPLIC. SPEC: 114-13038	SCALE: 4:1
4 PLC ±.005		APPLIC. SPEC: 114-13038	SHEET 5 OF 5
5 PLC ±.005		APPLIC. SPEC: 114-13038	REV: E9
ANGLES ±.0020		APPLIC. SPEC: 114-13038	
MATERIAL: -		APPLIC. SPEC: 114-13038	
FINISH: -		APPLIC. SPEC: 114-13038	
Customer Drawing		Customer Drawing	

X-ON Electronics

Largest Supplier of Electrical and Electronic Components

Click to view similar products for [Power to the Board](#) category:

Click to view products by [TE Connectivity](#) manufacturer:

Other Similar products are found below :

[10131318-08512GRLF](#) [6450171-4](#) [6450552-7](#) [6600323-8](#) [6643429-1](#) [6646040-2](#) [6651939-1](#) [6766604-1](#) [120959-1](#) [1393557-2](#) [1393532-2](#)
[1393532-3](#) [1393532-4](#) [1393557-1](#) [1600812-5](#) [1-6450861-2](#) [1645595-1](#) [1743490-1](#) [1744132-7](#) [1761122-1](#) [1766169-1](#) [1766250-1](#) [18362](#)
[1892109-1](#) [1-967627-6](#) [2226808-1](#) [2-6450860-5](#) [2-6450860-6](#) [2-6450870-0](#) [93003-0502](#) [953552-1](#) [1-6450161-4](#) [1-6450850-6](#) [1645526-2](#) [1-](#)
[6600130-0](#) [1743419-1](#) [1766150-1](#) [2005243-2](#) [211110-1](#) [2-6600130-2](#) [TE34-12-16P-F0](#) [51700-10201602AALF](#) [5-6450830-6](#) [5646956-4](#)
[36662-0005](#) [40585-3000](#) [4-6450830-9](#) [4-6600333-3](#) [51142-0214](#) [10125416-4050LF](#)