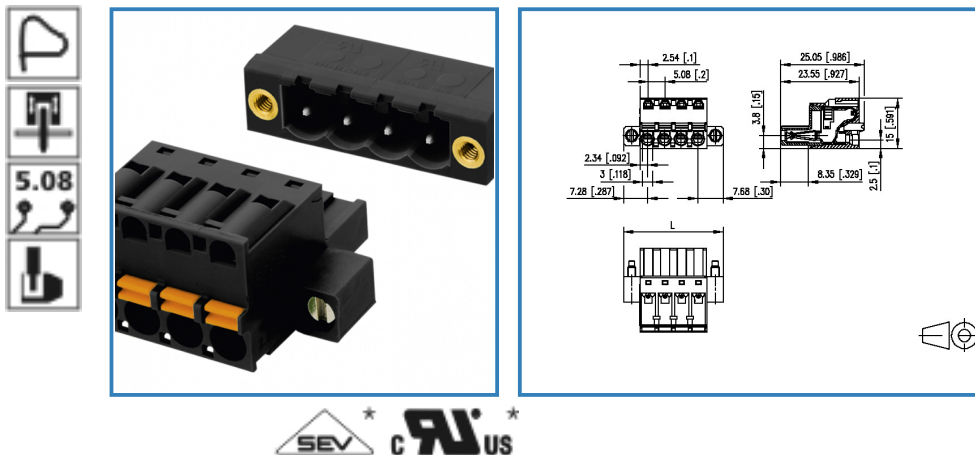


Data Sheet

SP066xxVBNF

Illustration



see enlarged drawing at the end of the document

Product specification

- spring clamp terminal block, pluggable
- centerline 5.08 mm, direction of connection vertical 0°
- color black, mounting flange
- push-button, wire entry uncodeable side parallel to plug direction
- Connection data

CULUS V / A / AWG 250 / 12 / 28 - 12

SEV 12 A / 250 V / 4 kV / 30.08 - 2.5 mm²



Data Sheet

SP066xxVBNF


Technical Data

General Data

min. number of poles	2		
max. number of poles	24		
Insulating material class	CTI 600		
clearance/creepage dist.	3.58 mm		
protection category	IP 20		
Overvoltage category	III	III	II
Pollution degree	3	2	2
Rated voltage	250 V	630 V	630 V
Rated test voltage	4.0 kV	4.0 kV	4 kV

Connection data

 V / A / AWG	250 / 12 / 28 - 12
--	--------------------

	12 A / 250 V / 4 kV / 30.08 - 2.5 mm ²
--	---

Material

insulating material	PA66
flammability class	V0

Climatic properties

upper limit temperature	105 °C
lower limit temperature	-40 °C

General

Tolerance	ISO 2768 -mH
-----------	--------------

Data Sheet

SP066xxVBNF

Page 3/4

P/N

SP066xxVBNF

xx=number of poles

2013/12/03

Matching Part

P/N	Product name
312351	PT116xxVBBF Typ 235
312361	PT116xxHBBF Typ 236
313981 (on request)	PR066xxHBBF
313991 (on request)	PR066xxVBBF

Accessories

P/N	Product name
700025-01-5 (on request)	F_Kodier_blp
700025-01-9	700025
840020-02 (on request)	Drahtbrücke 0.8 RM 5.0

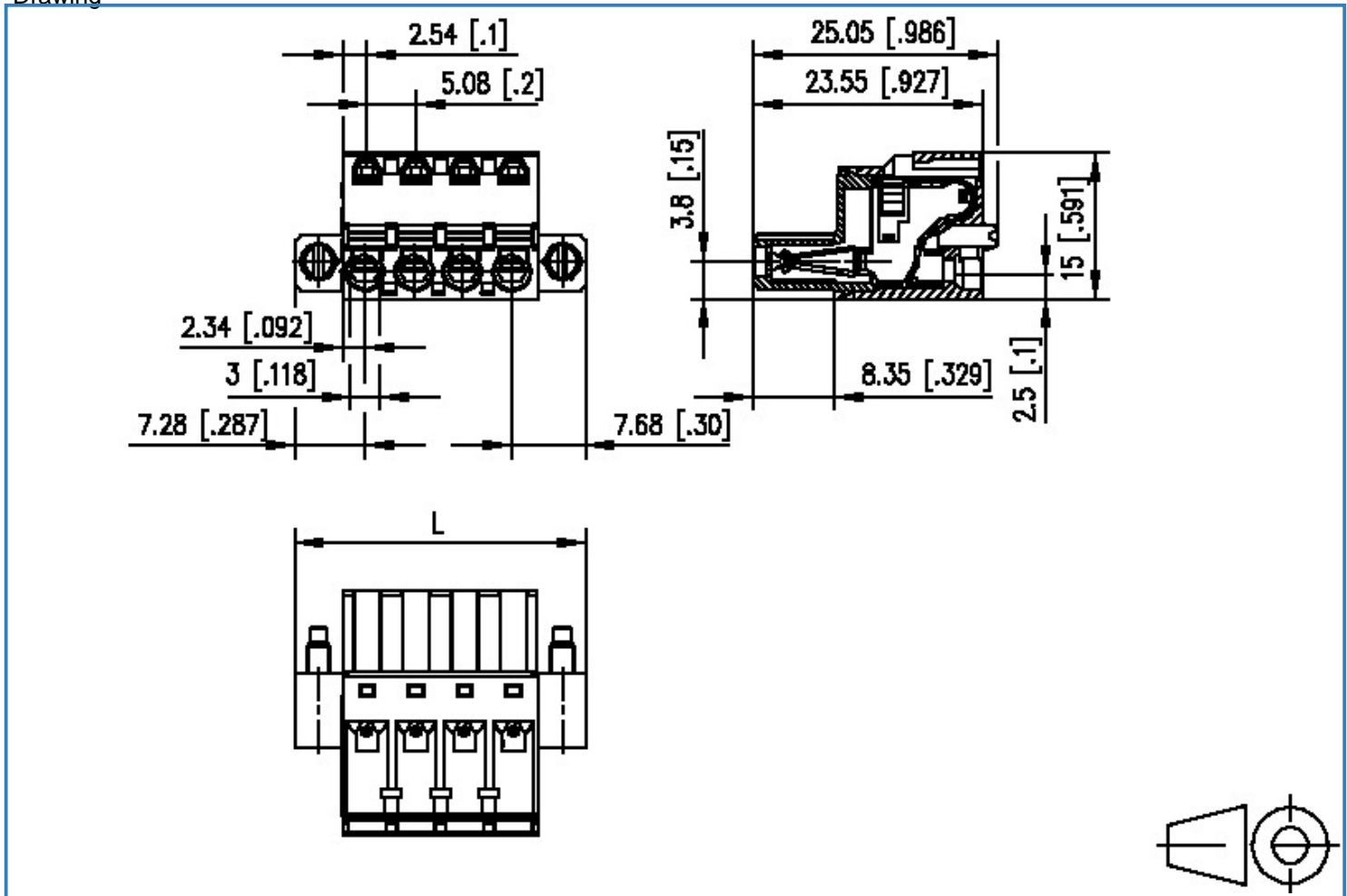


Data Sheet

SP066xxVBNF

Illustration

Drawing



$L = (\text{pole size} - 1) \times \text{centerline} + 14.96 [0.589]$



X-ON Electronics

Largest Supplier of Electrical and Electronic Components

Click to view similar products for [metz manufacturer](#):

Other Similar products are found below :

[ASP0631006](#) [142M1D11100](#) [142M2X19020](#) [142M2X25005](#) [AST0820406](#) [1108861321](#) [1108311319](#) [1108501319](#) [11089313](#)
[142M2X1C050](#) [841ER-1.17L](#) [ASP0450401](#) [PT11608VBBN](#) [130920-E](#) [130924-E](#) [1108841319](#) [110304412004](#) [1108831326](#) [15024AD206-E](#)
[150240C30310S](#) [135015-SSC-E](#) [1528SBGT19E](#) [PR04302VBBN](#) [142M2X15010](#) [31189102](#) [11085813](#) [810-500](#) [31336104](#) [ASP0430922](#)
[AST0450504](#) [AST1350604](#) [SP06502VBNF](#) [31072103](#) [SP02512HDNC](#) [142M1D19020](#) [31251104](#) [31359104](#) [834B-375ML](#) [832WC-3L](#)
[31009105](#) [31020205](#) [31024102](#) [31027103](#) [ASP0251204](#) [PR01503VBVC](#) [PT11504HBBF](#) [RP01505WBWC](#) [130922-03-E](#) [150240C30610E](#)
[11027605](#)