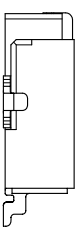
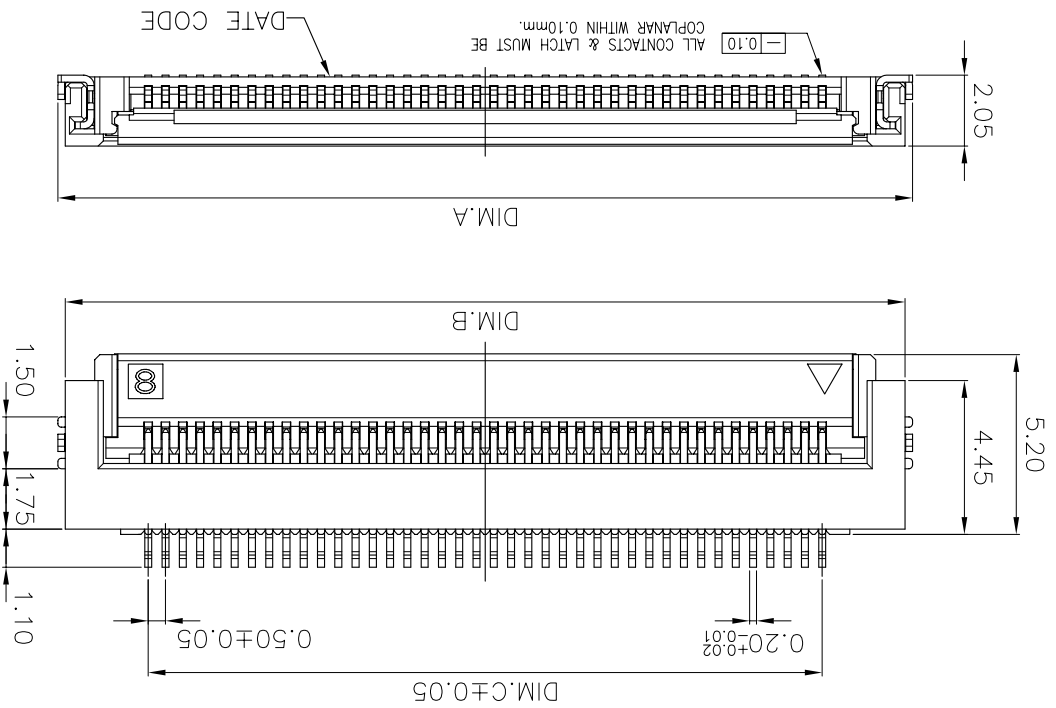


1. MATERIAL : THERMOPLASTIC (LCP), UL 94 V-0, COLOR:NATURAL
- 1.2 ACTUATOR : THERMOPLASTIC (PA10T), UL 94 V-0, COLOR:NATURAL
- 1.3 CONTACTS : PHOSPHOR BRONZE
- 1.4 SOLDER PEG : BRASS
2. FINISH :
- 2.1 CONTACT : GOLD FLASH PLATING ON CONTACT & SOLDERING AREAS,
- 2.2 SOLDER PEG : 1.27µm [50µ"] MIN. NICKEL UNDERPLATING OVERALL.
- 2.3 GOLD FLASH PLATING OVERALL
- 1.27µm [50µ"] MIN. NICKEL UNDERPLATING OVERALL.
3. REFLOW SOLDER CAPABLE TO 260°C
- PER TE SPEC. 109-201, CONDITION B.
4. NET WEIGHT : 0.5gram FOR 45 POS.

NOTES :



SEE NOTE		SEE NOTE	
MATERIAL		FINISH	
DIMENSIONS:		TOLERANCES UNLESS OTHERWISE SPECIFIED:	
DWN		29SEP2007	
CHK		29SEP2007	
NAME		NAME	
S. HOU		S. HOU	
APVD		APVD	
W.J. KE		W.J. KE	
PRODUCT SPEC		PRODUCT SPEC	
108-57590		108-57590	
QUALIFICATION TEST REPORT		QUALIFICATION TEST REPORT	
WEIGHT		WEIGHT	
501-57687		501-57687	
CUSTOMER DRAWING		CUSTOMER DRAWING	
SCALE		SCALE	
SHEET		SHEET	
REV B		REV B	

PART NUMBER	POS.	DIMENSIONS		
		D	C	A
3-1775333-5	35	18.00	17.00	21.80
3-1775333-6	36	18.50	17.50	22.30
3-1775333-7	37	19.00	18.00	22.80
3-1775333-8	38	19.50	18.50	23.30
3-1775333-9	39	20.00	19.00	23.80
4-1775333-0	40	20.50	19.50	24.30
4-1775333-1	41	21.00	20.00	24.80
4-1775333-2	42	21.50	20.50	25.30
4-1775333-3	43	22.00	21.00	25.80
4-1775333-4	44	22.50	21.50	26.30
4-1775333-5	45	23.00	22.00	26.80
4-1775333-6	46	23.50	22.50	27.30
4-1775333-7	47	24.00	23.00	27.80
4-1775333-8	48	24.50	23.50	28.30
4-1775333-9	49	25.00	24.00	28.80
5-1775333-0	50	25.50	24.50	29.30
5-1775333-1	51	26.00	25.00	29.80
5-1775333-2	52	26.50	25.50	30.30
5-1775333-3	53	27.00	26.00	30.80
5-1775333-4	54	27.50	26.50	31.30
5-1775333-5	55	28.00	27.00	31.80
2-1775333-6	26	13.50	12.50	17.30
2-1775333-7	27	14.00	13.00	17.80
2-1775333-8	28	14.50	13.50	18.30
2-1775333-9	29	15.00	14.00	18.80
3-1775333-0	30	15.50	14.50	19.30
3-1775333-1	31	16.00	15.00	19.80
3-1775333-2	32	16.50	15.50	20.30
3-1775333-3	33	17.00	16.00	20.80
3-1775333-4	34	17.50	16.50	21.30

LOC	DW	DIST	---
P	LTR	B	REVISED (ECR-11-005371)
DATE	DESCRIPTION	14MAR11	JL WK
APVD	DWN	REVISIONS	

A

B

C

D

1

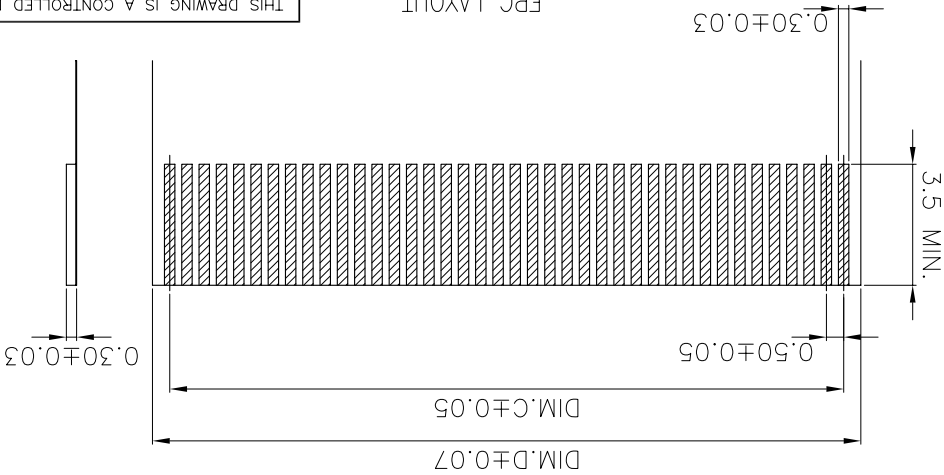
2

3

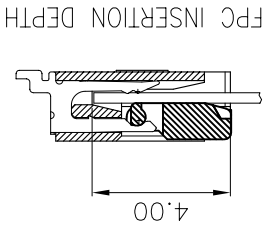
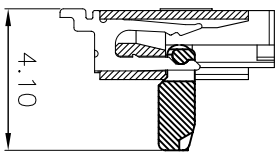
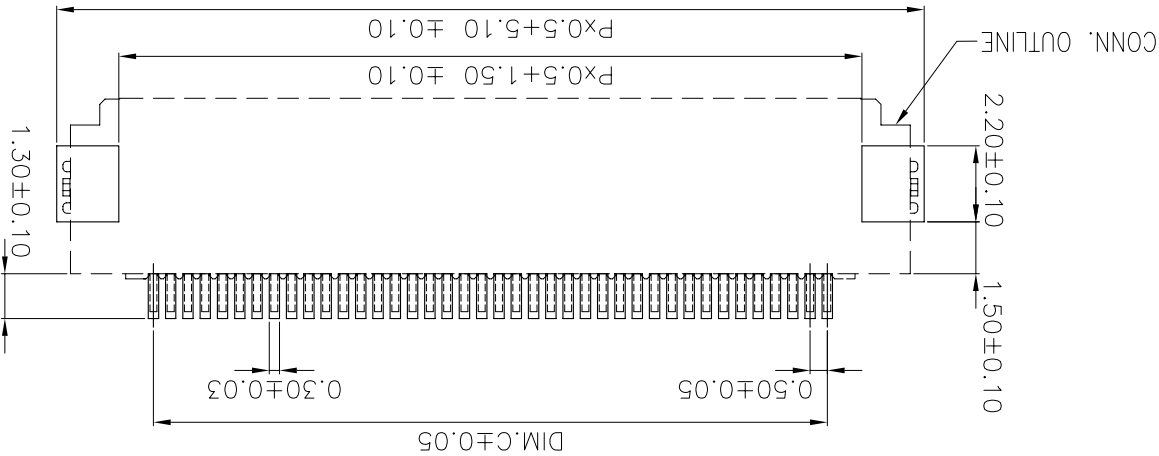
4

THIS DRAWING IS UNPUBLISHED. RELEASED FOR PUBLICATION		THIS DRAWING IS A CONTROLLED DOCUMENT.	
DIMENSIONS: MM		TOLERANCES UNLESS OTHERWISE SPECIFIED:	
MATERIAL		FINISH	
SEE NOTE		SEE NOTE	
0 PLC ±		0 PLC ±	
1 PLC ± 0.3		1 PLC ± 0.3	
2 PLC ± 0.2		2 PLC ± 0.2	
3 PLC ±		3 PLC ±	
4 PLC ±		4 PLC ±	
ANGLES ± 3°		ANGLES ± 3°	
WEIGHT		WEIGHT	
-		-	
QUALIFICATION TEST REPORT		QUALIFICATION TEST REPORT	
-		-	
PRODUCT SPEC		PRODUCT SPEC	
-		-	
W.J. KE		W.J. KE	
APVD		APVD	
29SEP2007		29SEP2007	
S. HOU		S. HOU	
CHK		CHK	
29SEP2007		29SEP2007	
H. HUANG		H. HUANG	
DWN		DWN	
29SEP2007		29SEP2007	
Tyco Electronics Corporation Taipei, Taiwan		Tyco Electronics Corporation Taipei, Taiwan	
ZIF FPC 0.50mm PITCH, 2.0mm HEIGHT, SMT		ZIF FPC 0.50mm PITCH, 2.0mm HEIGHT, SMT	
RESTRICTED TO		RESTRICTED TO	
-		-	
SCALE		SCALE	
-		-	
SHEET		SHEET	
2 of 3		2 of 3	
REV		REV	
B		B	

FPC LAYOUT



RECOMMENDED P.C. BOARD PATTERN LAYOUT  
RECOMMENDED METAL MASK THICKNESS: T=0.15



LOC	DW				
DIST	-				
P	LTR				
DESCRIPTION					
DATE					
DWN	APVD				
REVISIONS					
SEE SHEET 1.					

A

A

B

B

C

C

D

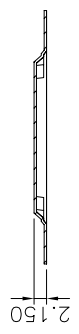
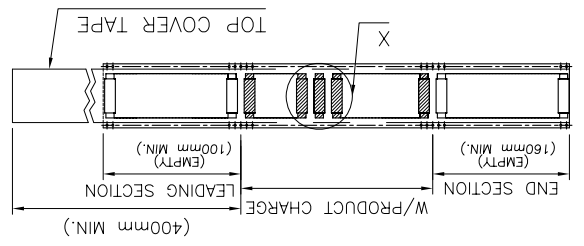
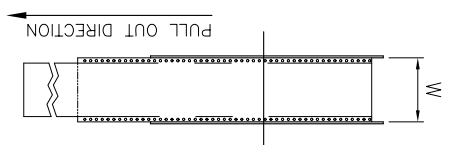
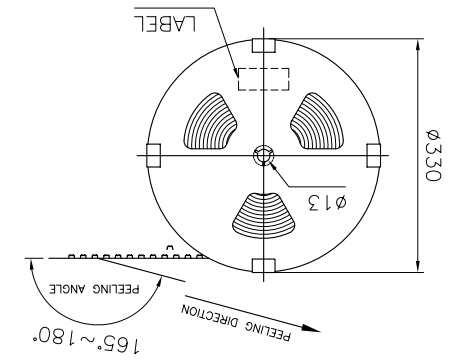
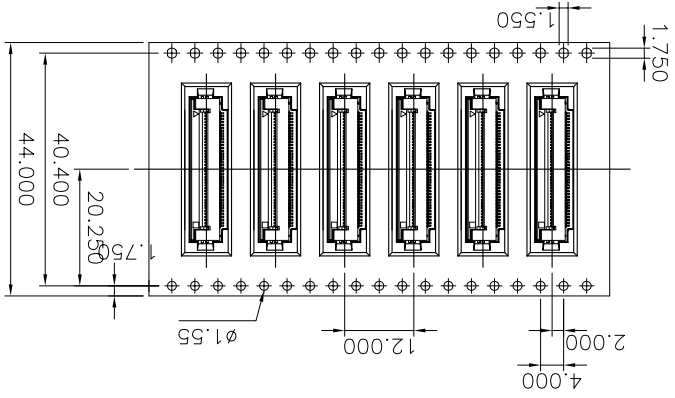
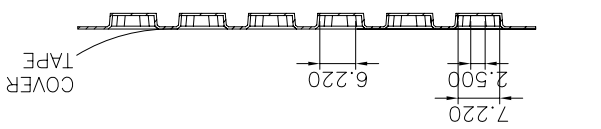
D

1

2

3

4

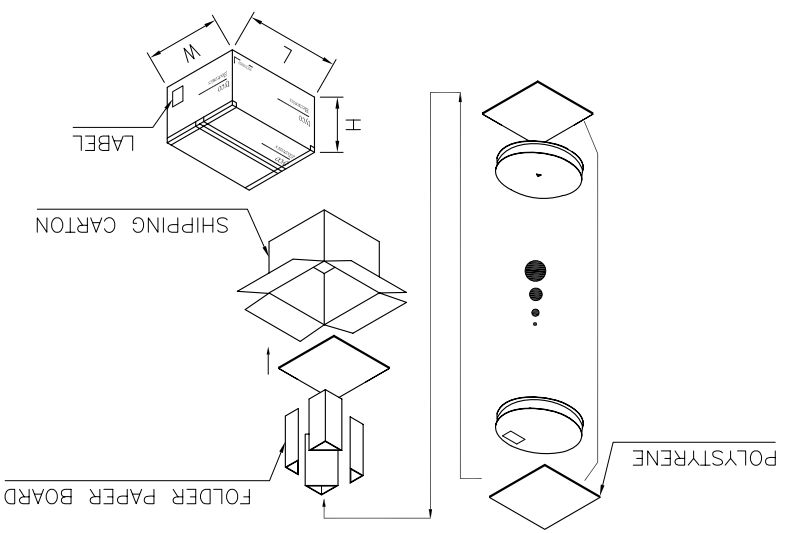


THIS DRAWING IS A CONTROLLED DOCUMENT.

DWN	29SEP2007	H. HUANG	29SEP2007	S. HOU	29SEP2007
CHK	29SEP2007				
APVD	29SEP2007				
TOLERANCES UNLESS OTHERWISE SPECIFIED:					
0	PLC	±			
1	PLC	±			
2	PLC	±			
3	PLC	±			
4	PLC	±			
ANGLES					
FINISH					

CUSTOMER DRAWING		SCALE	SHEET	REV
ZIF FPC 0.50mm PITCH, 2.0mm HEIGHT, SMT		A3	3 of 3	B
RESTRICTED TO		CAGE CODE	DRAWING NO	
		00779	1775333	
APPLICATION SPEC		PRODUCT SPEC	W.J. KE	
Tycos Electronics Corporation		Taipei, Taiwan		

POS.	REEL DIM. W (mm)	PPQ	PCS/CARTON	NET WT.(KG)	GROSS WT.(KG)
05~20	24	2000	20,000	1.5~3.5	4.5~6.5
21~29	32	2000	16,000	2.5~3.5	4.9~5.9
30~50	44	2000	12,000	2.3~3.5	4.4~5.6
51~55	56	2000	10,000	2.8~3.5	4.5~5.3



LOC	DW			
DIST				
P	LTR			
DESCRIPTION		DATE	DWN	APVD
SEE SHEET 1.				

THIS DRAWING IS UNPUBLISHED. RELEASED FOR PUBLICATION. ALL RIGHTS RESERVED. BY TYCO ELECTRONICS CORPORATION. COPYRIGHT -

A

B

C

D

A

B

C

D

1

2

3

4

## X-ON Electronics

Largest Supplier of Electrical and Electronic Components

*Click to view similar products for [FFC & FPC Connectors](#) category:*

*Click to view products by [TE Connectivity](#) manufacturer:*

Other Similar products are found below :

[HFW11R-1STE1H1LF](#) [FH29B-100S-0.2SHW\(99\)](#) [FA5S008HP1](#) [FH29B-120S-0.2SHW\(99\)](#) [FH29B-80S-0.2SHW\(99\)](#) [FHS-16](#) [FPH-2022G](#)  
[52610-1075](#) [52610-1275](#) [52610-1934](#) [XF3M\(1\)-1415-1B-R100](#) [501864-3091-TR225](#) [0525594033](#) [086210010340800](#) [086222026001800](#)  
[52271-2869-CUT-TAPE](#) [62674-201121DLF](#) [62684-36210E9ALF](#) [52610-1675](#) [52746-1671-TR250](#) [10051922-2810EHLF](#) [6-520415-9](#)  
[BD021-09A-A1-0350-0200-0550-LD](#) [SFV6R-1STE9HLF](#) [XF3M-2915-1B-R100](#) [1658549-1](#) [62674-221121ALF](#) [46214008010800](#)  
[046298003000883](#) [151660622](#) [842-816-2630-035](#) [AYF530665TA](#) [AYF351525](#) [046296011930846+](#) [AYF352325A](#) [046254020000800+](#)  
[FH19C-13S-0.5SH\(99\)](#) [FH39J-51S-0.3SHW\(99\)](#) [AYF355125A](#) [AYF530365TA](#) [FH29B-44S-0.2SHW\(99\)](#) [SFW5R-2STAE9LF](#) [AYF351125A](#)  
[AYF350725A](#) [62684-502100AHLF](#) [FH39-61S-0.3SHW\(99\)](#) [AYF414035A](#) [10064555-172520HLF](#) [AYF212335A](#) [504754-2500](#)