

# Amphenol

MS & 97B - Series

ACRMS02 0313



---

# Amphenol



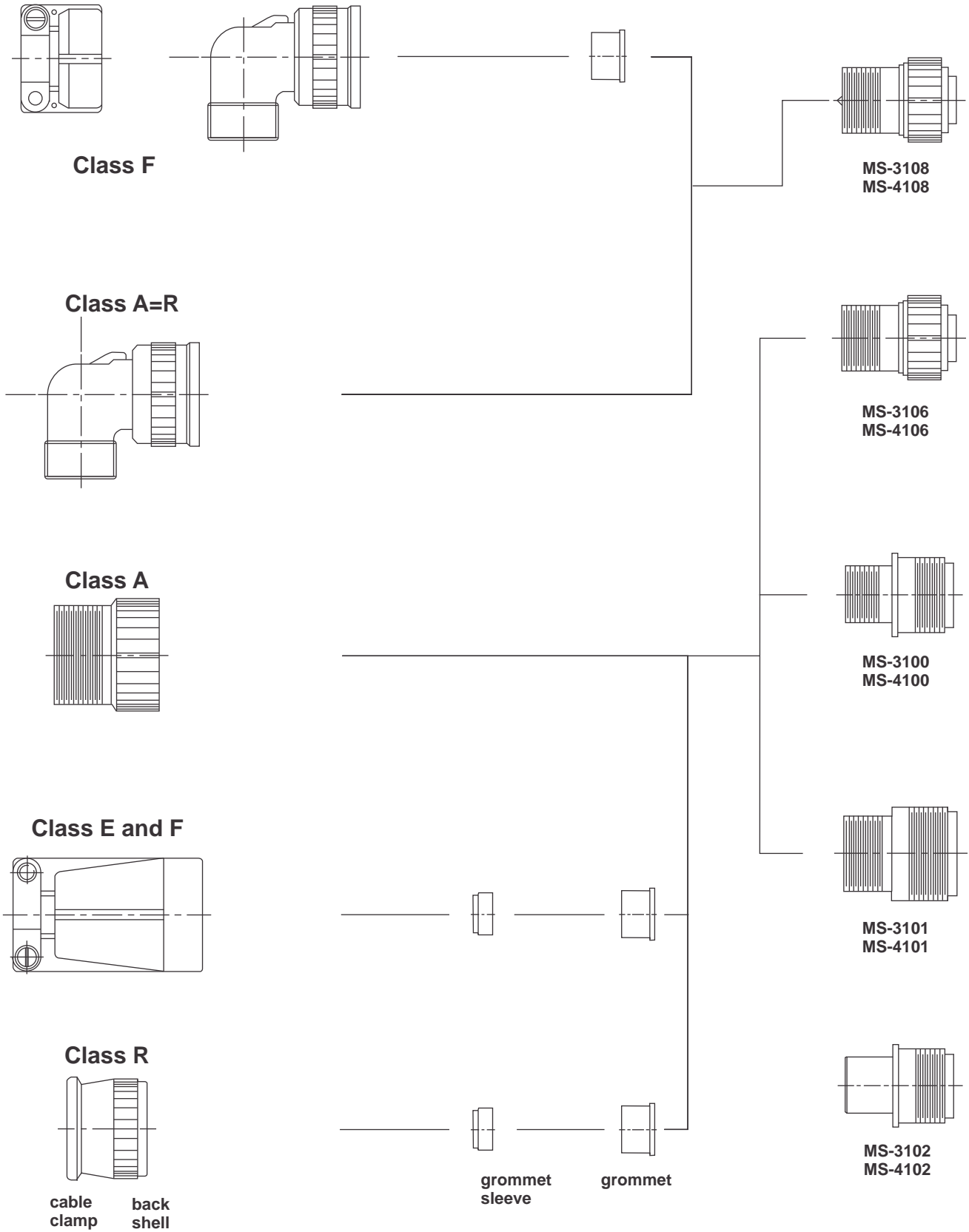
# Introduction

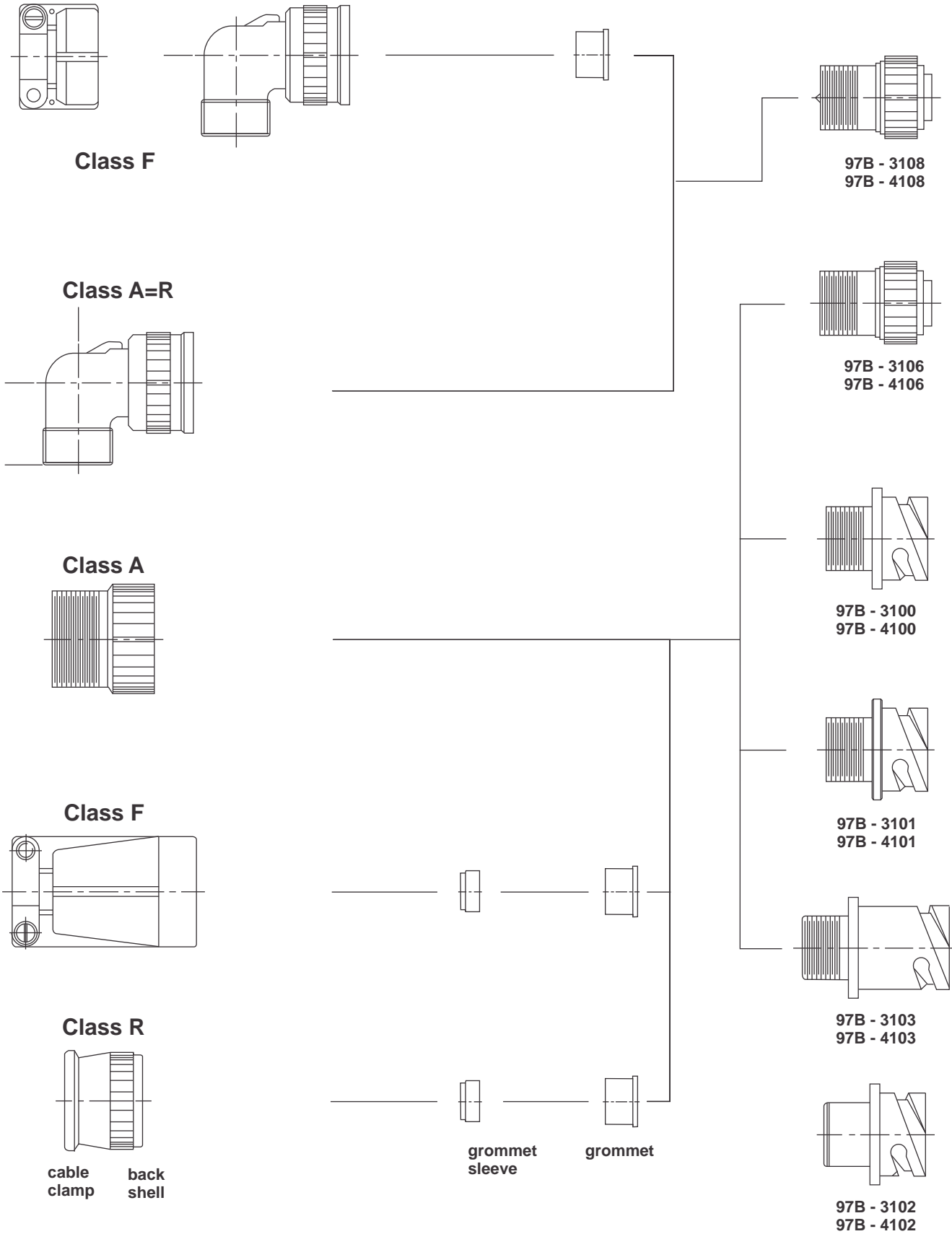
Amphenol MS & 97B series are two series of thread & Bayonet coupled connectors designed to meet the operating requirements of MIL-C-5015. available in a variety of styles & classes, these connectors are primarily used in a range of military and industrial applications where specific degrees of environmental protection are required.

Although MS series have identical insert arrangements and other similar components parts, the two series differ in that Amphenol MS series of connectors are also qualified to meet the operating requirements of Defence Standard Joint Services Specifications JSS50812, issued by the Electronics Components Standardization Organisation (LCSO)

Amphenol 97B connectors feature a quick a mating bayonet coupling with an audible full mating feature. This series uses the same MIL-C-5015 insert patterns and are used in high shock and vibration environments encountered in commercial, geophysical, aerospace, ground support and shipboard applications.

Content	Page
Introduction -----	1
Connector style -----	2-3
General description -----	4
Electrical data -----	5
Insert orientations -----	6
Insert arrangements -----	7-17
MS threaded series connector -----	19-22
97B reverse bayonet connector -----	23-49
Ordering information -----	50





These electrical connectors are designated MS because the interchangeability and operating characteristics are determined by U.S. Military Specifications. These specifications are revised from time to time to incorporate performance requirements dictated by design advances and more stringent requirements of allied equipment. The several designations of MS and 97B connectors meet different requirements of MIL-C-5015. These designations and general descriptions are as follows :

### Shell

Shell constructions include solid back shell (A) and environmental resistant (E, F & R). Environmental resistant connectors provide a moisture barrier and assure a positive seal. Shell styles consist of wall type receptacles (3100), cable receptacles (3101), box receptacles (3102), straight plugs (3106) and angle plugs (3108). Shell hardware is manufactured from aluminium alloy and cadmium plated with olive drab chromate finish. This finish has excellent conductivity; it is non-reflecting and corrosion resistant. Black anodised finish and cadmium-free zinc plating with olive drab chromate finish are also available. For details, contact factory.

### Contacts

Pin and socket contacts are of brass and generally silver plated. Gold plating is also available. For details contact factory. These contacts are available for solder or crimp termination. Special arrangements of contacts for pre-mating and pre-earth are also available.

### Inserts and grommet

Synthetic inserts and grommet manufactured according to MIL-R-3065, offer high dielectric strength and are resistant to oils, gasoline and low temperature. DAP is dimensionally stable, has high arc resistance and high insulation resistance under both humidity and thermal stress.

### General description

Plugs are available in A, F and R types. Receptacles are available in A, E, F and R types.

#### A Solid back shell

Intended for general service usage to provide convenient means of connecting and disconnecting electrical circuits in industrial and military applications.

#### Environmental resisting

Intended for use where the connector will be subject to heavy condensation and rapid changes in temperature or pressure and/or where the connector is subjected to high vibratory conditions.

**E** Environmental resisting with grommet seal and strain relief backshell except for 3102 type.

**F** Environmental resisting with grommet seal, strain relief backshell and front gasket seal for plug type.

**R** Environmental resisting with grommet seal, shorter and lightweight.

### Features for 97B reverse bayonet coupling connectors with Mil-C-5015 insert patterns:

- Quick positive coupling
- Audible and tactile indication of full coupling
- Waterproof
- No lockwiring required
- High shock and vibration capabilities
- Insert available in Neoprene material (alternate inserts materials available upon request)
- Operating temperature range with Neoprene inserts: -55°C to +125°C
- Available in both crimp and solder terminations
- Contacts available in gold and silver plating
- Numerous finishes available
- Zinc alloy plating (cadmium free) available
- Rugged construction; aluminum or stainless steel components
- Intermateable with existing VG95234 connectors
- 500 couplings minimum

## Dielectric strength

Service rating	Test Voltage Vac rms
Inst.	1000V
A	2000V
D	2800V
E	3500V
B	4500V
C	7000V

## Contact rating

Contact Size	Rated Current	Contact Resistance miliohms
16	13A	3.46
12	23A	1.83
8	46A	0.52
4	80A	0.26
0	150A	0.14

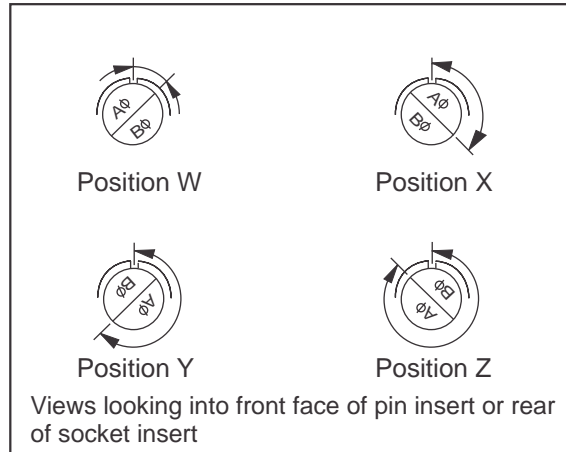
## Service rating

Service rating	Operating Voltage DC at Sea Level	Operating Voltage AC at Sea Level
Inst.	250V	200V
A	700V	500V
D	1250V	900V
E	1750V	1250V
B	2450V	1750V
C	4200V	3000V

# Insert Orientation

To avoid cross-plugging problems in applications requiring the use of more than one connector of the same size and arrangement, alternate insert rotations are available as indicated in the accompanying chart.

As shown in the diagram below, the front face of the pin insert is rotated within the shell in a clockwise direction from the normal shell key. The socket insert would be rotated counterclockwise the same number of degrees with respect to the normal shell key.



The following insert arrangements have the same alternate insert rotations for W, X, Y and Z which are as below :

Degree			
W	X	Y	Z
80	110	250	280

16-7	20-16	22-18	24-4	24-21	28-15	36-1
18-5	20-20	22-19	24-5	24-28	28-16	36-7
18-9	20-22	22-21	24-6	28-1	28-17	36-8
18-13	22-3	22-24	24-7	28-4	28-19	36-13
18-14	22-6	22-25	24-12	28-8	28-20	
20-7	22-12	22-29	24-14	28-9	28-21	
20-8	22-14	22-33	24-16	28-10	32-1	
20-9	22-15	22-34	24-17	28-11	32-3	
20-12	22-16	24-1	24-20	28-14	32-4	
20-14	22-17	24-3				

Insert Arrangement	Degrees			
	W	X	Y	Z
12S-3	70	145	215	290
14S-2	-	120	240	-
14S-5	-	110	-	-
14S-7	90	180	270	-
14S-9	70	145	215	290
16-9	35	110	250	325
16-10	90	180	270	-
16-11	35	110	250	325
16-13	35	110	250	325
16S-1	80	-	-	280
16S-4	35	110	250	325
16S-5	70	145	215	290
16S-6	90	180	270	-
16S-8	-	170	265	-
18-1	70	145	215	290
18-3	35	110	250	325
18-4	35	110	250	325
18-8	70	-	-	290
18-10	-	120	240	-
18-11	-	170	265	-
18-12	80	-	-	280
18-15	-	120	240	-
18-20	90	180	270	-
18-22	70	145	215	290
18-29	90	180	270	-
20-3	70	145	215	290
20-4	45	110	250	-
20-5	35	110	250	325

Insert Arrangement	Degrees			
	W	X	Y	Z
20-6	70	145	215	290
20-15	80	-	-	280
20-17	90	180	270	-
20-18	35	110	250	325
20-19	90	180	270	-
20-21	35	110	250	325
20-23	35	110	250	325
20-24	35	110	250	325
20-27	35	110	250	325
20-29	80	-	-	280
22-1	35	110	250	325
22-2	70	145	215	290
22-4	35	110	250	325
22-5	35	110	250	325
22-8	35	110	250	325
22-9	70	145	215	290
22-10	35	110	250	325
22-11	35	110	250	325
22-13	35	110	250	325
22-20	35	110	250	325
22-22	-	110	250	-
22-23	35	-	250	-
22-27	80	-	250	280
22-28	80	-	-	280
24-2	80	-	-	280
24-9	35	110	250	325
24-10	80	-	-	280
24-11	35	110	250	325

Insert Arrangement	Degrees			
	W	X	Y	Z
24-22	45	110	250	-
24-27	80	-	-	280
28-2	35	110	250	325
28-3	70	145	215	290
28-5	35	110	250	325
28-6	70	145	215	290
28-7	35	110	250	325
28-12	90	180	270	-
28-18	70	145	215	290
28-22	70	145	215	290
32-8	80	125	235	280
36-3	70	145	215	290
36-4	70	145	215	290
36-5	-	120	240	-
36-6	35	110	250	325
36-9	80	125	235	280
36-10	80	125	235	280
36-14	90	180	270	-
36-15	60	125	245	305
40-56	72	144	216	288



# Insert Arrangements

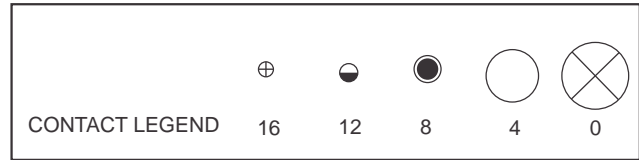
Insert Arrangement	Service Rating	Total Cont-acts	Contact Size				
			0	4	8	12	16
10S-2	A	1					1
10SL-3	A	3					3
10SL-4	A	2					2
12S-3	A	2					2
12S-4	D	1					1
12-5	D	1					1
14S-1	A	3					3
14S-2	Inst	4					4
14S-4	D	1					1
14S-5	Inst	5					5
14S-6	Inst	6					6
14S-7	A	3					3
14S-9	A	2					2
14S-10	Inst	4					4
14S-12	A	3					3
14-3	A	1			1		
14S-A7	A	19	19				
16S-1	A	7					7
16S-3	B	1					1
16S-4	D	2					2
16S-5	A	3					3
16S-6	A	3					3
16S-8	A	5					5
16-2	E	1				1	
16-7	A	3			1	2	
16-9	A	4				2	2
16-10	A	3				3	
16-11	A	2				2	
16-12	A	1		1			
16-13	A	2				2	
18-1	A/Inst	10					10
18-3	D	2				2	
18-4	D	4					4
18-5	D	3				2	1
18-06		6				4	2
18-6	D	1		1			
18-7	B	1			1		
18-8	A	8				1	7
18-9	Inst	7				2	5
18-10	A	4				4	
18-11	A	5				5	
18-12	A	6					6
18-13	A	4			1	3	
18-14	A	2		1			1
18-15	A	4				4	
18-16	C	1				1	
18-17	Inst	7				2	5
18-19	A	10					10
18-20	A	5					5
18-22	D	3					3
18-24	A/Inst	10					10
18-29	A	5					5
18-30	A	5					5
18-31	A	5					5
20-2		1	1				
20-3	D	3				3	
20-4	D	4				4	
20-6	D	3					3
20-7	D/A	8					8

Insert Arrangement	Service Rating	Total Cont-acts	Contact Size				
			0	4	8	12	16
20-8	Inst	6			2		4
20-9	D/A	8				1	7
20-11	Inst	13					13
20-12	A	2		1			1
20-14	A	5			2	3	
20-15	A	7				7	
20-16	A	9				2	7
20-17	A	6				5	1
20-18	A	9				3	6
20-19	A	3			3		
20-20	A	4		1		3	
20-21	A	9				1	8
20-22	A	6			3		3
20-23	A	2			2		
20-24	A	4			2		2
20-25	Inst	13					13
20-27	A	14					14
20-29	A	17					17
20-30	Inst	13					13
20-33	A	11					11
20-A48	A	19					
22-1	D	2			2		
22-2	D	3			3		
22-4	A	4			2	2	
22-5	D	6				2	4
22-6	D	3			2		1
22-7	E	1	1				
22-8	E	2				2	
22-9	E	3				3	
22-10	E	4					4
22-11	B	2					2
22-12	D	5			2		3
22-13	D/A	5				4	1
22-14	A	19					19
22-15	E/A	6				5	1
22-16	A	9				3	6
22-17	D/A	9				1	8
22-18	D/A	8					8
22-19	A	14					14
22-20	A	9					9
22-21	A	3	1				2
22-22	A	4			4		
22-23	D/A	8				8	
22-24	D/A	6				2	4
22-27	D/A	9			1		8
22-28	A	7				7	
22-34	D	5				3	2
24-2	D	7				7	
24-3	D	7				2	5
24-4		1					3
24-5	A	16					16
24-6	D/A	8				8	
24-06	A	6		4			2
24-7	A	16				2	14
24-9	A	2		2			
24-10	A	7			7		

Insert Arrangement	Service Rating	Total Cont-acts	Contact Size				
			0	4	8	12	16
24-11	A	9				3	6
24-12	A	5			2		3
24-16	D/A	7			1	3	3
24-17	D	5				2	3
24-20	D	11				2	9
24-21	D	10			1		9
24-22	D	4			4		
24-27	E	7					7
24-28	Inst	24					24
28-1	D/A	9			3	6	
28-2	D	14				2	12
28-3	E	3			3		
28-4	E/D	9				2	7
28-5	D	5		2		1	2
28-6	D	3		3			
28-7	D	2		2			
28-8	E/D/A	12				2	10
28-9	D	12				6	6
28-09	A	9		4			5
28-10	D/A	7		2	2	3	
28-11	A	22				4	18
28-12	A	26					26
28-13	A	26					26
28-15	A	35					35
28-16	A	20					20
28-17	B/D/A	15					15
28-18	C/D/A/Inst	12					12
28-19	B/D/A	10				4	6
28-20	A	14				10	4
28-21	A	37					37
28-22	D	6		3			3
28-51	D	12					12
32-1	D/A	5	2			3	
32-3	D	9	1	2		2	4
32-5	D	2	2				
32-6	A	23		2	3	2	16
32-7	INSTA	35				7	28
32-8	A	30				6	24
32B-13	D	13			13		
32-17	D	4		4			
32-22	A	54					54
36-1	D	22				4	18
36-3	D	6	3			3	
36-4	D/A	3	3				
36-5	A	4	4				
36-6	A	6	2	4			
36-7	A	47				7	40
36-8	A	47				1	46
36-9	A	31		1	2	14	14
36-10	A	48					48
36-11	A	48					48
36-12	A	48					48
36-13	E/A	17				2	15
36-14	D	16			5	5	6
36-15	D/A	35					35
36-16	A	47				7	40
36-17	A	47				7	40
38-18	A	31		1	2	14	14
36-20	A	34			2	2	30
36-46	A	27					27
36-52	A	52					52
40-56	A	85					85
40-63	A	61					

# Insert Arrangements

Front face of pin insert or rear of socket insert illustrated



		Front of socket insert	Front of socket insert			
Insert arrangement	10S-2	10SL-3	10SL-4	12S-3	12S-4	12-5
Service rating	A	A	A	A	A	D
Number of contacts	1	3	2	2	1	1
Contact size	16	16	16	16	16	12
Premating contact	-	C	-	-	-	-

Insert arrangement	14S-A7	14S-1	14S-2	14S-4	14S-5	14S-6
Service rating	A	A	Inst.	D	Inst.	Inst.
Number of contacts	7	3	4	1	5	6
Contact size	16	16	16	16	16	16
Premating contact	-	-	-	-	-	-

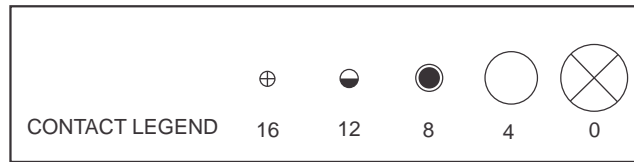
			100° rotation of 14S-2	100° rotation of 14S-7		
Insert arrangement	14S-7	14S-9	*14S-10	*14S-12	*14-3	16S-1
Service rating	A	A	Inst.	A	A	A
Number of contacts	3	2	4	3	1	7
Contact size	16	16	16	16	8	16
Premating contact	B	-	-	B	-	G

Insert arrangement	*16S-3	16S-4	16S-5	16S-6	16S-8	*16-2
Service rating	B	D	A	A	A	E
Number of contacts	1	2	3	3	5	1
Contact size	16	16	16	16	16	12
Premating contact	-	-	A	B	E	-

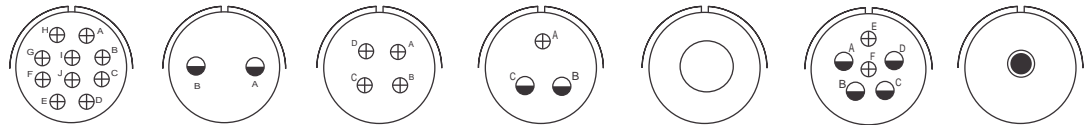
\*Not tooled up, can be tooled up on request. Contact Factory.

# Insert Arrangements

Front face of pin insert or rear of socket insert illustrated



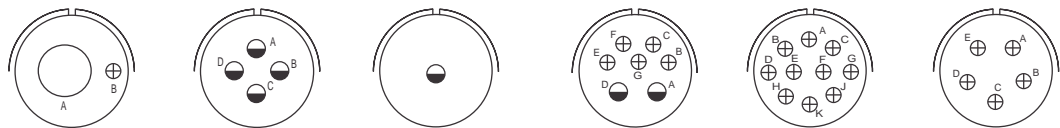
Insert arrangement	16-7	16-9	16-10	16-11	16-12	*16-13
Service rating	A	A	A	A	A	A
Number of contacts	1 2	2 2	3	2	1	2
Contact size	8 16	12 16	12	12	4	12
Premating contact	C	-	B	-	-	-



Insert arrangement	18-1	18-3	18-4	18-5	*18-6	18-06	18-7
Service rating	B,C,F,G=A; Bal.=Inst.	D	D	D	D	A	B
Number of contacts	10	2	4	2 1	1	2 4	1
Contact size	16	12	16	12 16	4	16 12	8
Premating contact	-	-	A	C	-	-	-



Insert arrangement	18-8	18-9	18-10	18-11	18-12	*18-13
Service rating	A	Inst.	A	A	A	A
Number of contacts	1 7	2 5	4	5	6	1 3
Contact size	12 16	12 16	12	12	16	8 12
Premating contact	H	-	D	E	C or D	A



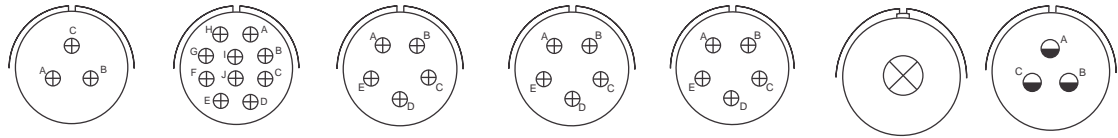
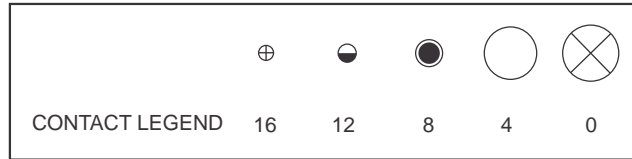
Insert arrangement	*18-14	18-15	18-16	*18-17	18-19	18-20
Service rating	A	A	C	Inst.	A	A
Number of contacts	1 1	4	1	2 5	10	5
Contact size	4 16	12	12	12 16	16	16
Premating contact	-	-	-	-	K	D

100° rotation of 18-9

\*Not tooled up, can be tooled up on request. Contact Factory.

# Insert Arrangements

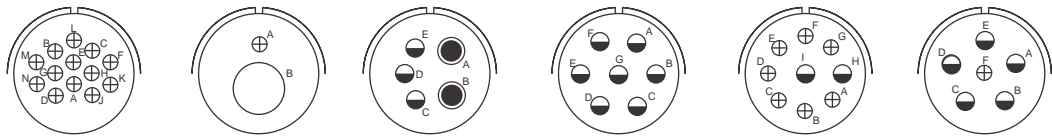
Front face of pin insert or rear of socket insert illustrated



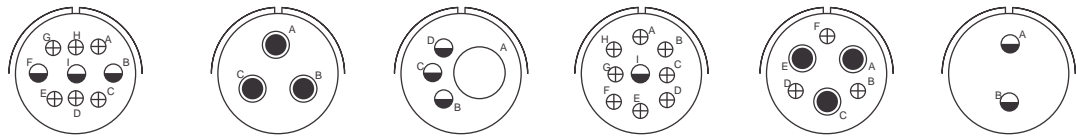
		250° rotation of 18-1		110° rotation of 18-20	260° rotation of 18-20		
Insert arrangement	18-22	*18-24	*18-29	*18-30	*18-31	20-2	20-3
Service rating	D	B,C,F,G=A; Bal.=Inst.	A	A	A	D	D
Number of contacts	3	10	5	5	5	1	4
Contact size	16	16	16	16	16	0	12
Premating contact	C	-	D	C	C	-	A



Insert arrangement	20-4	*20-6	20-7	20-8	20-9	20A-9
Service rating	D	D	A,B,H,G=D; C,D,E,F=A	Inst.	H=D; Bal.=A	A
Number of contacts	4	3	8	2 4	1 7	9
Contact size	12	16	16	8 16	12 16	12
Premating contact	C or D	A	A	-	H	-



Insert arrangement	20-11	*20-12	20-14	20-15	20-16	20-17
Service rating	Inst.	A	A	A	A	A
Number of contacts	13	1 1	2 3	7	2 7	5 1
Contact size	16	4 16	8 12	12	12 16	12 16
Premating contact	-	-	D	A or D	E	E or F

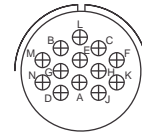
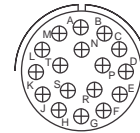
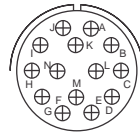
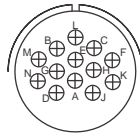
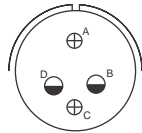
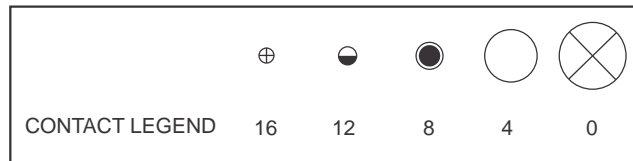


Insert arrangement	20-18	20-19	20-20	*20-21	20-22	20-23
Service rating	A	A	A	A	A	A
Number of contacts	3 6	3	1 3	1 8	3 3	2
Contact size	12 16	8	4 12	12 16	8 16	8
Premating contact	D	C	A	1	-	-

\*Not tooled up, can be tooled up on request. Contact Factory.

# Insert Arrangements

Front face of pin insert or rear of socket insert illustrated



100° rotation  
of 20-11

250° rotation  
of 20-11

Insert arrangement  
Service rating  
Number of contacts  
Contact size  
Premating contact

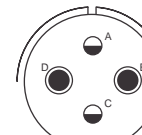
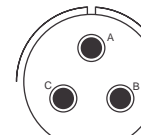
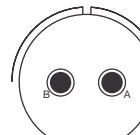
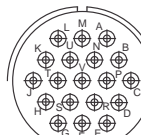
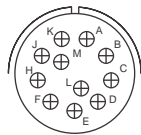
20-24  
A  
2 2  
8 16  
-

\*20-25  
Inst.  
13  
16  
-

20-27  
A  
14  
16  
M

20-29  
A  
17  
16  
G

\*20-30  
Inst.  
13  
16  
-



Insert arrangement  
Service rating  
Number of contacts  
Contact size  
Premating contact

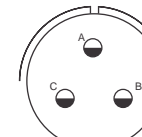
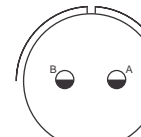
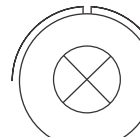
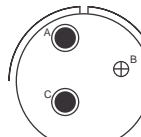
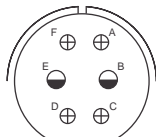
20-33  
A  
11  
16  
E

20 A - 48  
A  
19  
16  
-

22-1  
D  
2  
8  
-

22-2  
D  
3  
8  
A

\*22-4  
A  
2 2  
8 12  
C



Insert arrangement  
Service rating  
Number of contacts  
Contact size  
Premating contact

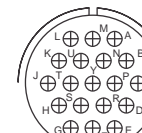
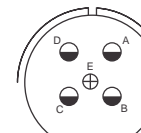
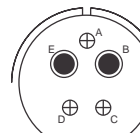
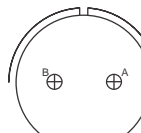
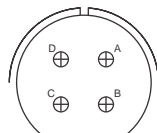
22-5  
D  
2 4  
12 16  
D

\*22-6  
D  
2 1  
8 16  
B

22-7  
E  
1  
0  
-

\*22-8  
E  
2  
12  
-

22-9  
E  
3  
12  
A



Insert arrangement  
Service rating  
Number of contacts  
Contact size  
Premating contact

22-10  
E  
4  
16  
C

22-11  
B  
2  
16  
-

22-12  
D  
2 3  
8 16  
A

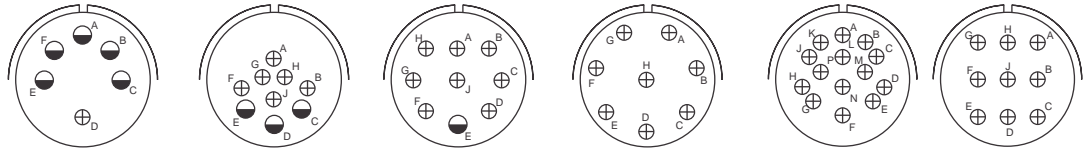
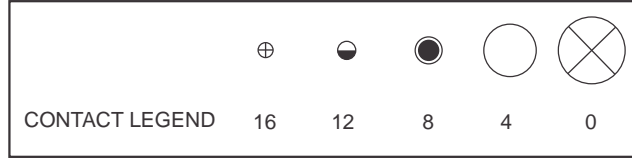
22-13  
E=D; A, B, C, D=A  
4 1  
12 16  
E

22-14  
A  
19  
16  
A

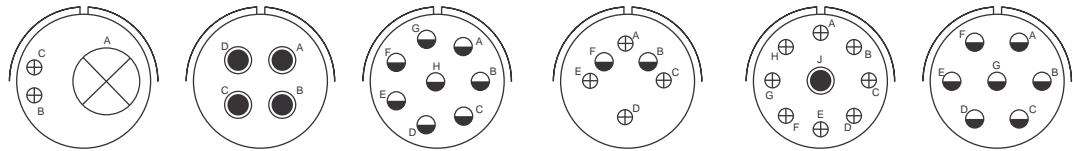
\*Not tooled up, can be tooled up on request. Contact Factory.

# Insert Arrangements

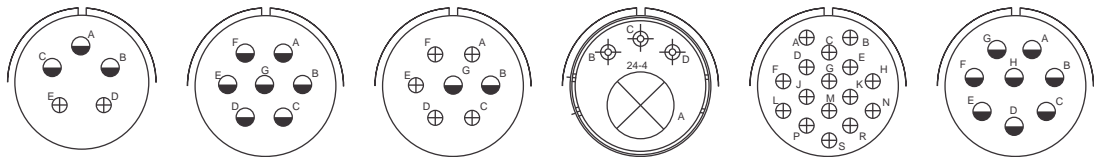
Front face of pin insert or rear of socket insert illustrated



Insert arrangement	22-15	22-16	*22-17	22-18	22-19	22-20
Service rating	D=E;A,B,C,E,F=A	A	A=D;Bal.=A	A,B,F,G,H=D;C,D,E=A	A	A
Number of contacts	5 1	3 6	1 8	8	14	9
Contact size	12 16	12 16	12 16	16	16	16
Premating contact	D	D	E	D	F	D



Insert arrangement	*22-21	22-22	22-23	22-24	22-27	22-28
Service rating	A	A	H=D;Bal.=A	C,D,E=D;A,B,F=A	J=D;Bal.=A	A
Number of contacts	1 2	4	8	2 4	1 8	7
Contact size	0 16	8	12	12 16	8 16	12
Premating contact	-	C or D	A or D	D	-	G



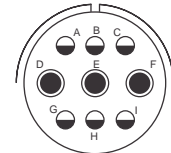
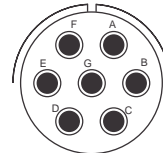
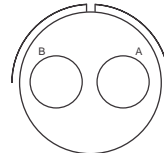
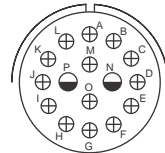
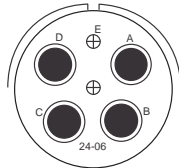
Insert arrangement	*22-34	24-2	*24-3	24-4	24-5	24-6
Service rating	D	D	D	A	A	A,G,H=D;Bal.=A
Number of contacts	3 2	7	2 5	3 1	16	8
Contact size	12 16	12	12 16	16 0	16	12
Premating contact	E	A	D	-	S	D

\*Not tooled up, can be tooled up on request. Contact Factory.

# Insert Arrangements

Front face of pin insert or rear of socket insert illustrated

CONTACT LEGEND	16	12	8	4	0



Insert arrangement  
Service rating  
Number of contacts  
Contact size  
Premating contact

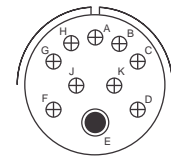
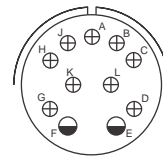
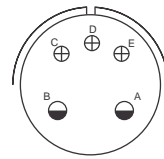
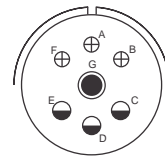
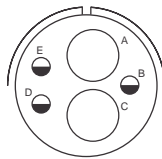
24-06  
A  
2 4  
16 8  
-

24-7  
A  
2 14  
12 16  
G

24-9  
A  
2  
4  
-

24-10  
A  
7  
8  
D or E or G

24-11  
A  
3 6  
8 12  
E



Insert arrangement  
Service rating  
Number of contacts  
Contact size  
Premating contact

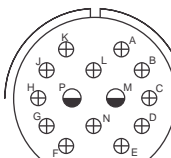
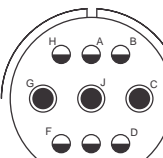
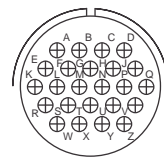
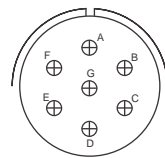
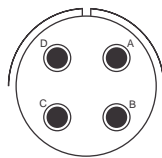
24-12  
A  
2 3  
4 12  
-

\*24-16  
A,B,F,G=D; C,D,E=A  
1 3 3  
8 12 16  
G

\*24-17  
D  
2 3  
12 16  
D

24-20  
D  
2 9  
12 16  
A

24-21  
D  
1 9  
8 16  
E



Insert arrangement  
Service rating  
Number of contacts  
Contact size  
Premating contact

24-22  
D  
4  
8  
D

\*24-27  
E  
7  
16  
D

24-28  
Inst.  
24  
16  
-

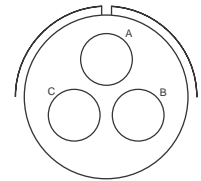
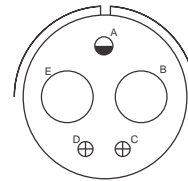
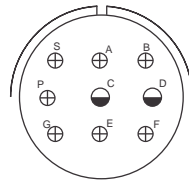
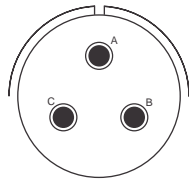
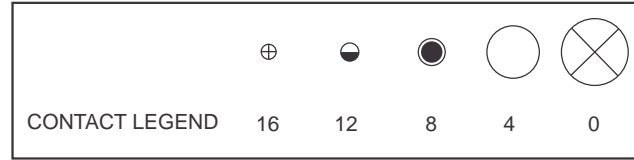
28-1  
A,J,E=D; Bal.=A  
3 6  
8 12  
E

\*28-2  
D  
2 12  
12 16  
E

\*Not tooled up, can be tooled up on request. Contact Factory.

# Insert Arrangements

Front face of pin insert or rear of socket insert illustrated



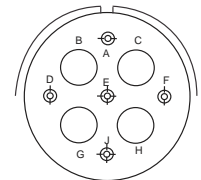
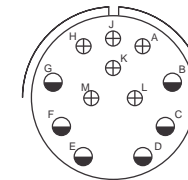
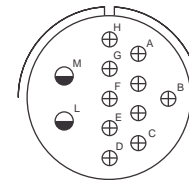
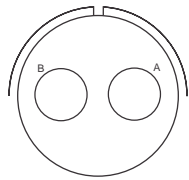
Insert arrangement  
Service rating  
Number of contacts  
Contact size  
Premating contact

28-3  
E  
3  
8  
A

\*28-4  
G,S,P=E;Bal.=D  
2 7  
12 16  
E

\*28-5  
D  
2 1 2  
4 12 16  
-

28-6  
D  
3  
4  
A



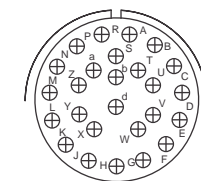
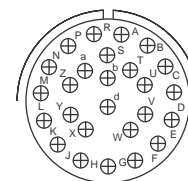
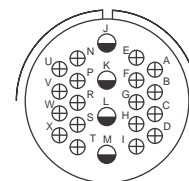
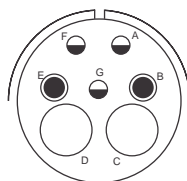
Insert arrangement  
Service rating  
Number of contacts  
Contact size  
Premating contact

28-7  
D  
2  
4  
-

28-8  
L,M=E;B=D;Bal.=A  
2 10  
12 16  
D

28-9  
D  
6 6  
12 16  
E

28-09  
A  
5 4  
16 4  
-



Insert arrangement  
Service rating  
Number of contacts  
Contact size  
Premating contact

28-10  
G=D;Bal.=A  
2 2 3  
4 8 12  
G

28-11  
A  
4 18  
12 16  
M

28-12  
A  
26  
16  
H

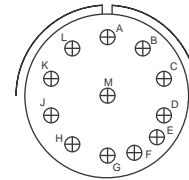
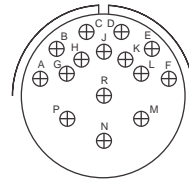
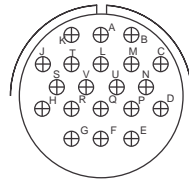
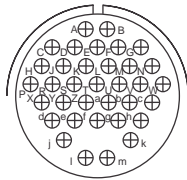
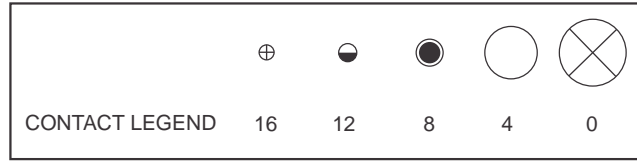
\*28-13  
A  
26  
16  
H

\*Not tooled up, can be tooled up on request. Contact Factory.

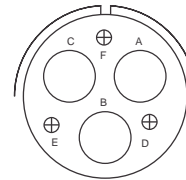
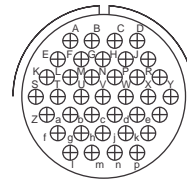
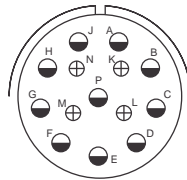
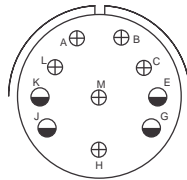


# Insert Arrangements

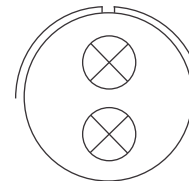
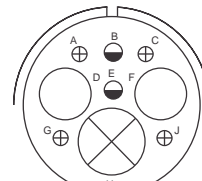
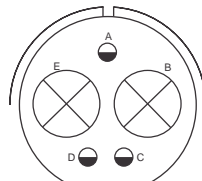
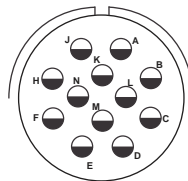
Front face of pin insert or rear of socket insert illustrated



Insert arrangement	28-15	28-16	*28-17	28-18
Service rating	A	A	R=B;M,N,P=D;A to L=A	M=C;G,H,J,K,L=D;A,B=ABal.=Inst.
Number of contacts	35	20	15	12
Contact size	16	16	16	16
Premating contact	M	F	N	-



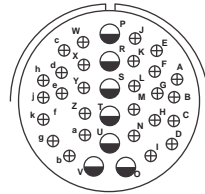
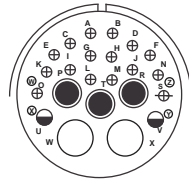
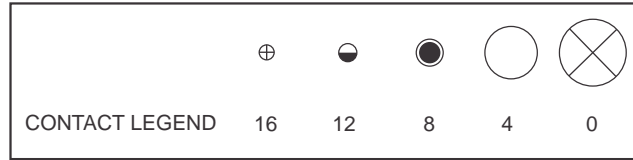
Insert arrangement	28-19	28-20	28-21	28-22
Service rating	H,M=B;A,B=D;Bal.=A	A	A	D
Number of contacts	4 6	10 4	37	3 3
Contact size	12 16	12 16	16	4 16
Premating contact	H	E	A	-



Insert arrangement	28-51	32-1	*32-3	32-5
Service rating	D	A=E;B,C,D,E=A	D	D
Number of contacts	12	2 3	1 2 2 4	2
Contact size	12	0 12	0 4 12 16	0
Premating contact	-	-	-	-

\*Not tooled up, can be tooled up on request. Contact Factory.

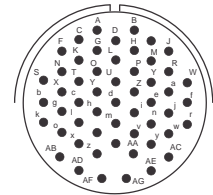
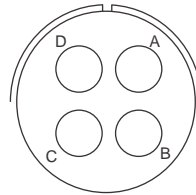
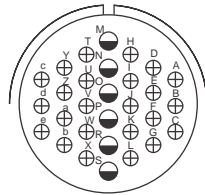
Front face of pin insert or rear of socket insert illustrated



Insert arrangement  
Service rating  
Number of contacts  
Contact size  
Premating contact

32-6  
A  
16 2 3 2  
16 12 8 4  
-

32-7  
INST, A  
4 24 7  
16 12  
-

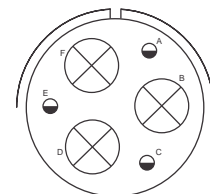
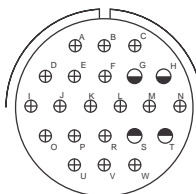
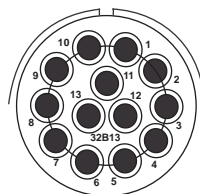


Insert arrangement  
Service rating  
Number of contacts  
Contact size  
Premating contact

32-8  
A  
6 24  
12 16  
S

32-17  
D  
4  
4  
-

32-22  
A  
54  
16  
-



Insert arrangement  
Service rating  
Number of contacts  
Contact size  
Premating contact

32B-13  
D  
13  
8  
-

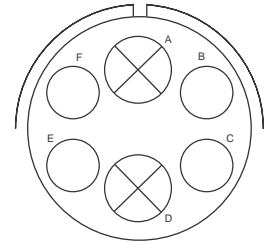
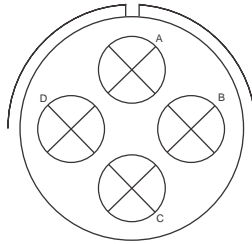
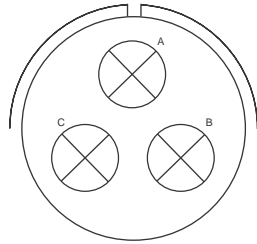
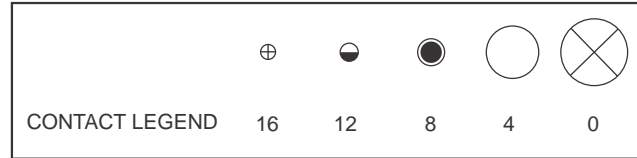
\*36-1  
D  
4 18  
12 16  
-

36-3  
D  
3 3  
0 12  
-

\*Not tooled up, can be tooled up on request. Contact Factory.

# Insert Arrangements

Front face of pin insert or rear of socket insert illustrated

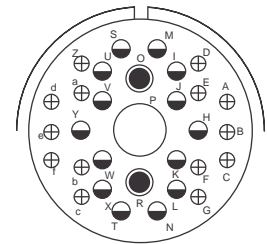
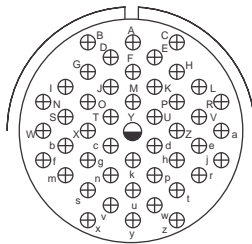
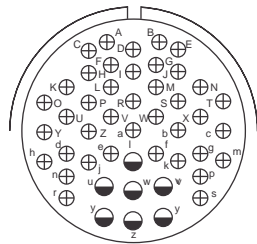


Insert arrangement  
Service rating  
Number of contacts  
Contact size  
Premating contact

36-4  
A=D; B, C=A  
3  
0  
-

36-5  
A  
4  
0  
-

36-6  
A  
2 4  
0 4  
-

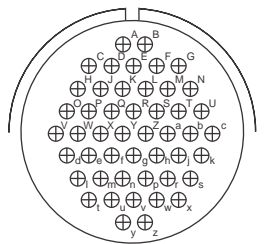
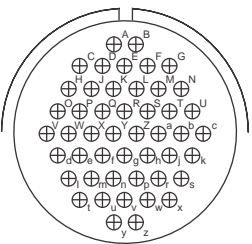
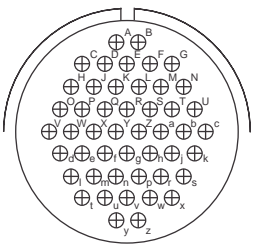


Insert arrangement  
Service rating  
Number of contacts  
Contact size  
Premating contact

\*36-7  
A  
7 40  
12 16  
x or y

\*36-8  
A  
1 46  
12 16  
Y

\*36-9  
A  
1 2 14 14  
4 8 12 16  
P



Insert arrangement  
Service rating  
Number of contacts  
Contact size  
Premating contact

36-10  
A  
48  
16  
A

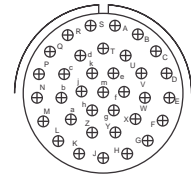
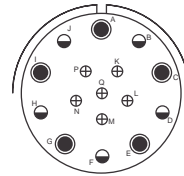
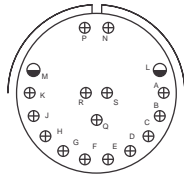
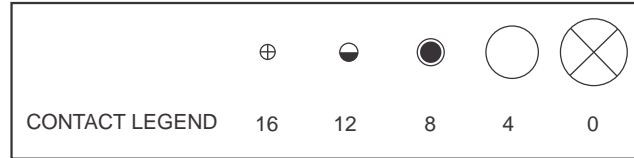
100°rotation  
of 36-10  
\*36-11  
A  
48  
16  
A

250°rotation  
of 36-10  
\*36-12  
A  
48  
16  
A

\*Not tooled up, can be tooled up on request. Contact Factory.

# Insert Arrangements

Front face of pin insert or rear of socket insert illustrated

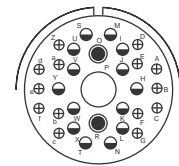
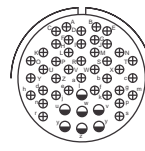
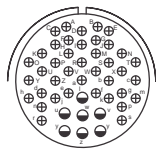


Insert arrangement  
Service rating  
Number of contacts  
Contact size  
Premating contact

\*36-13  
N,P,Q=E;Bal.=A  
2 15  
12 16  
-

\*36-14  
D  
5 5 6  
8 12 16  
-

\*36-15  
M=D;Bal=A  
35  
16  
J



100°rotation  
of 36-7

250°rotation  
of 36-7

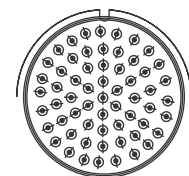
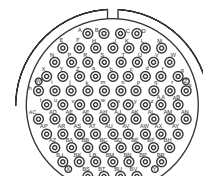
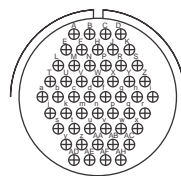
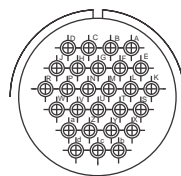
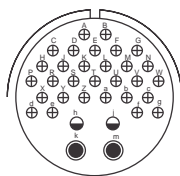
100°rotation  
of 36-9

Insert arrangement  
Service rating  
Number of contacts  
Contact size  
Premating contact

\*36-16  
A  
7 40  
12 16  
x or y

\*36-17  
A  
7 40  
12 16  
x or y

\*36-18  
A  
1 2 14 16  
4 8 12 16  
-



Insert arrangement  
Service rating  
Number of contacts  
Contact size  
Premating contact

\*36-20  
A  
2 2 30  
8 12 16  
k

36-46  
A  
27  
16  
-

36-52  
A  
52  
16  
-

40-56  
A  
85  
16  
-

40-63  
A  
61  
16  
-

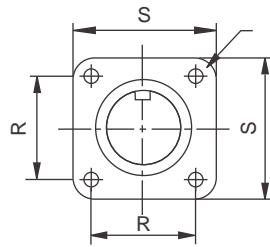
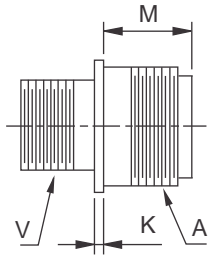
\*Not tooled up, can be tooled up on request. Contact Factory.

# MIL -C-5015

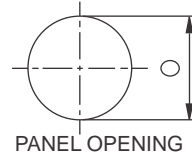


MS Threaded Version  
connector

## Wall mounting receptacle MS-3100 MS-4100



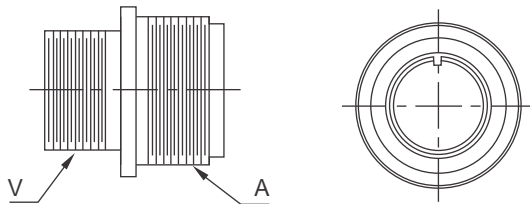
MOUNTING HOLES  
4.39 DIA. FOR SIZE 32 AND 36  
3.73 DIA. FOR SIZE 24 AND 28  
3.05 DIA. FOR ALL OTHER SIZES  
4.55 DIA. FOR 40 SIZE



All dimensions are in mm

Connector Size	A Thread in inches	K	M	O	R	S	V Thread in inches
10SL	5/8-24 UNEF	1.98	14.29	20.62	18.25	25.68	5/8-24 NEF
12S	3/4-20 UNEF	1.98	14.29	20.62	20.64	27.76	11/16-24NEF
12	3/4-20 UNEF	1.98	19.05	20.62	20.64	27.76	11/16-24NEF
14S	7/8-20 UNEF	1.98	14.29	23.82	23.02	30.43	3/4-20 UNEF
14	7/8-20 UNEF	1.98	19.05	23.82	23.02	30.43	3/4-20 UNEF
16S	1-20 UNEF	1.98	14.29	26.97	24.61	32.82	7/8-20 UNEF
16	1-20 UNEF	3.17	19.05	26.97	24.61	32.82	7/8-20 UNEF
18	1 1/8-18 UNEF	3.17	19.05	30.17	26.99	35.07	1-20 UNEF
20	1 1/4-18 UNEF	3.17	19.05	33.32	29.37	38.38	1 1/8-18 NS
22	1 3/8-18 UNEF	3.17	19.05	36.52	31.75	41.55	1 1/4-18 NEF
24	1 1/2-18 UNEF	3.17	20.64	39.67	34.92	44.70	1 3/8-18 NEF
28	1 3/4-18 UNS	3.17	20.64	46.02	39.69	51.08	1 5/8-18 NEF
32	2.00-18 UNS	3.17	22.25	53.0	44.45	57.15	1 7/8-16UN
36	2 1/4-16 UN	3.17	22.22	58.72	49.21	63.78	2 1/16-16UN
40	2 1/2-16 UN	3.45	22.22	62.00	55.58	69.85	2 5/16-16 UN

## Cable Connecting Receptacle MS-3101 MS-4101

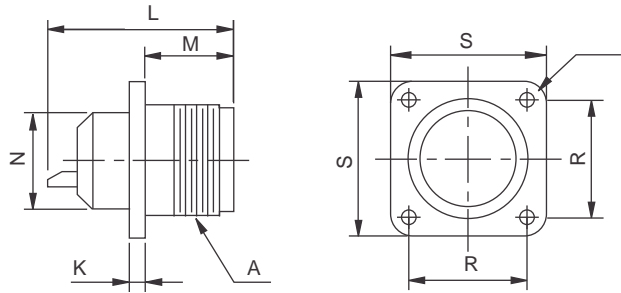


All dimensions are in mm

Connector Size	A Thread in inches	V Thread in inches
10SL	5/8-24 UNEF	5/8-24 NEF
12S	3/4-20 UNEF	11/16-24 NEF
12	3/4-20 UNEF	11/16-24 NEF
14S	7/8-20 UNEF	3/4-20 UNEF
14	7/8-20 UNEF	3/4-20 UNEF
16S	1-20 UNEF	7/8-20 UNEF
16	1-20 UNEF	7/8-20 UNEF
18	1 1/8-18 UNEF	1-20 UNEF
20	1 1/4-18 UNEF	1 1/8-18 NS
22	1 3/8-18 UNEF	1 1/4-18 NEF
24	1 1/2-18 UNEF	1 3/8-18 NEF
28	1 3/4-18 UNS	1 5/8-18 NEF
32	2-18 UNS	1 7/8-16UN
36	2 1/4-16 UN	2 1/16-16UN
40	2 1/2-16 UN	2 5/16-16 UN

## Box mounting receptacle

**MS-3102 MS-4102**



### MOUNTING HOLES

4.39 DIA. FOR SIZE 32 AND 36

3.73 DIA. FOR SIZE 24 AND 28

3.05 DIA. FOR ALL OTHER SIZES

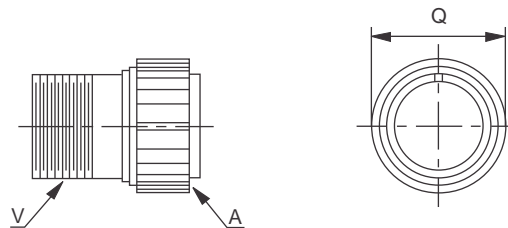
4.55 FOR 40 SIZE

All dimensions are in mm

Connector Size	A Thread in inches	K	L	M	N	R	S
10SL	5/8-24 UNEF	1.98	30.18	13.89	15.87	18.25	25.68
12S	3/4-20 UNEF	1.98	30.18	14.28	17.46	20.64	28.04
12	3/4-20 UNEF	1.98	41.28	19.05	17.46	20.64	28.04
14S	7/8-20 UNEF	1.98	30.18	14.28	19.05	23.02	30.43
14	7/8-20 UNEF	1.98	41.28	19.05	19.05	23.02	30.43
16S	1-20 UNEF	1.98	30.18	14.28	22.22	24.61	32.82
16	1-20 UNEF	3.17	41.28	19.05	22.22	24.61	32.82
18	1 1/8-18 UNEF	3.17	49.28	19.05	25.40	26.99	35.08
20	1 1/4-18 UNEF	3.17	49.28	19.05	28.57	29.37	38.38
22	1 3/8-18 UNEF	3.17	49.28	19.05	31.75	31.75	41.55
24	1 1/2-18 UNEF	3.17	49.28	20.64	34.92	34.92	44.73
28	1 3/4-18 UNS	3.17	49.28	20.64	41.27	39.69	51.08
32	2-18 UNS	3.17	49.28	22.22	48.26	44.45	57.15
36	2 1/4-16 UN	3.17	49.28	22.22	53.97	49.21	63.78
40	2 1/2-16 UN	3.45	49.28	22.22	58.25	55.58	69.85

## Straight Plug

**MS-3106 MS-4106**

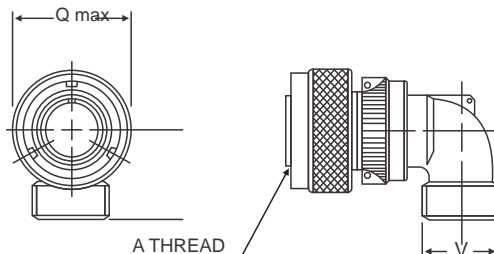


All dimensions are in mm

Connector Size	A Thread in inches	Q max	V Thread in inches
10SL	5/8-24 UNEF	19.05	5/8-24 NEF
12S	3/4-20 UNEF	19.84	11/16-24NEF
12	3/4-20 UNEF	19.84	11/16-24NEF
14S	7/8-20 UNEF	22.22	3/4-20 UNEF
14	7/8-20 UNEF	22.22	3/4-20 UNEF
16S	1-20 UNEF	25.40	7/8-20 UNEF
16	1-20 UNEF	25.40	7/8-20 UNEF
18	1 1/8-18 UNEF	28.57	1-20 UNEF
20	1 1/4-18 UNEF	31.75	1 1/8-18 NS
22	1 3/8-18 UNEF	34.92	1 1/4-18 NEF
24	1 1/2-18 UNEF	38.10	1 3/8-18 NEF
28	1 3/4-18 UNS	44.45	1 5/8-18 NEF
32	2-18 UNS	51.75	1 7/8-16UN
36	2 1/4-16 UN	57.15	2 1/16-16UN
40	2 1/2-16 UN	63.50	2 5/16-20 UN

Note - Both versions, straight and diamond knurling available on coupling ring. For details, contact factory.

## Right angle plug MS-3108 MS-4108

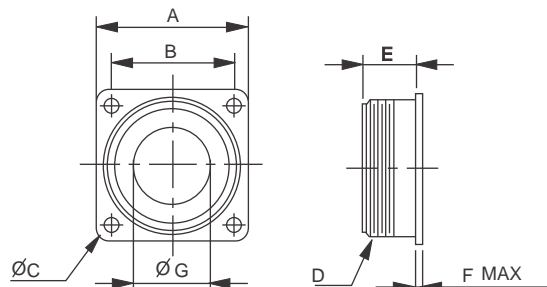


All dimensions are in mm

Connector Size	A Thread in inches	Q max	V Thread in inches
10SL	5/8-24 UNEF	19.05	5/8-24 NEF
12S	3/4-20 UNEF	19.84	11/16-24 NEF
12	3/4-20 UNEF	19.84	11/16-24 NEF
14S	7/8-20 UNEF	22.22	3/4-20 UNEF
14	7/8-20 UNEF	22.22	3/4-20 UNEF
16S	1-20 UNEF	25.40	7/8-20 UNEF
16	1-20 UNEF	25.40	7/8-20 UNEF
18	1 1/8-18 UNEF	28.57	1-20 UNEF
20	1 1/4-18 UNEF	31.75	1 1/8-18 NS
22	1 3/8-18 UNEF	34.92	1 1/4-18 NEF
24	1 1/2-18 UNEF	38.10	1 3/8-18 NEF
28	1 3/4-18 UNS	44.45	1 5/8-18 NEF
32	2-18 UNS	51.75	1 29/32-18 NS
36	2 1/4-16 NS	57.15	2 1/16-20 UNS
40	2 1/2-16 UN	63.50	2 5/16-16 UN

Note - Both versions, straight and diamond knurling available on coupling ring. For details, contact factory.

## Other Accessories Dummy receptacle MS-3105



All dimensions are in mm

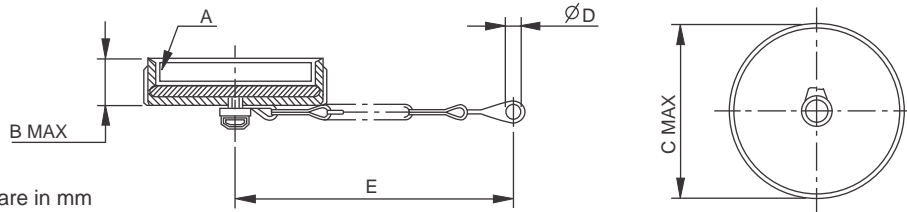
Part number (see note)	A	B	C	D Thread in inches	E	F max.	G
MS-3105-10S	25.4	18.26	3.05	5/8-24	14.27	3.96	8.20
MS-3105-12S	27.79	20.62	3.05	3/4-20	14.27	3.96	11.43
MS-3105-12	27.79	20.62	3.05	3/4-20	19.05	3.96	11.43
MS-3105-14S	30.17	23.01	3.05	7/8-20	14.27	3.96	13.36
MS-3105-14	30.17	23.01	3.05	7/8-20	19.05	3.96	13.36
MS-3105-16S	32.54	24.61	3.05	1-20	14.27	3.96	16.41
MS-3105-16	32.54	24.61	3.05	1-20	19.05	3.96	16.41
MS-3105-18	34.92	26.97	3.05	1 1/8-18	19.05	5.16	18.03
MS-3105-20	38.10	29.36	3.05	1 1/4-18	19.05	5.16	23.54
MS-3105-22	41.27	31.75	3.05	1 3/8-18	19.05	5.16	25.93
MS-3105-24	44.45	34.92	3.73	1 1/2-18	20.62	5.16	29.21
MS-3105-28	50.8	39.67	3.73	1 3/4-18	20.62	5.16	34.67
MS-3105-36	63.5	49.22	4.39	2 1/4-16	22.2	9.11	46.56

Note: The dash number also indicates shell size.



### MS-25043

**For receptacles** Has internal threads and is used on all receptacles. Gasket is provided in the dust cap forming a watertight seal.



All dimensions are in mm

MS Part number	Shell size	A Thread in inches	B	C	D	E
MS 25043-10D	MS 10S-1-SL	5/8-24	11.11	20.7	3.6	102
MS 25043-12D	MS 12-12S	3/4-20	11.11	25.4	3.6	115
MS 25043-14D	MS 14-14S	7/8-20	11.11	28.6	3.6	115
MS 25043-16D	MS 16-16S	1-20	11.11	30.2	3.6	115
MS 25043-18D	MS 18	1 1/8-18	11.11	34.1	3.6	115
MS 25043-20D	MS 20	1 1/4-18	11.11	37.3	4.4	127
MS 25043-22D	MS 22	1 3/8-18	11.11	40.4	4.4	127
MS 25043-24D	MS 24	1 1/2-18	11.11	43.6	4.4	140
MS 25043-28D	MS 28	1 3/4-18	12.7	50	4.4	197
MS 25043-32D	MS 32	2-18	12.7	56.3	4.8	197
MS 25043-36D	MS 36	2 1/4-18	12.7	62.7	4.8	197
MS 25043-40D	MS 40	2 1/2-16	12.7	69	4.8	197

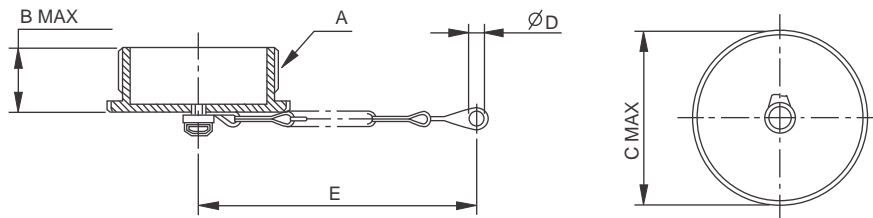
- Notes :**
1. For protective caps with nylon cord, contact factory.
  2. Standard - Plating is Cad. For alternative finishes, contact factory.
  3. Standard - straight knurling. For diamond knurling on caps, contact factory.
  4. Please add 07 suffix for bigger end link.

### Other Accessories

#### Protective cap for MS series

#### MS-25042

**For plugs** Has external threads and is used on all plugs where a coupling ring is provided.



All dimensions are in mm

MS Part number	Shell size	A Thread in inches	B	C	D	E
MS 25042-10D	MS 10S-1-SL	5/8-24	16.67	17.4	4	102
MS 25042-12D	MS 12-12S	3/4-20	21.4	20.6	4	115
MS 25042-14D	MS 14-14S	7/8-20	21.4	23.7	4	115
MS 25042-16D	MS 16-16S	1-20	21.4	26.9	4	115
MS 25042-18D	MS 18	1 1/8-18	21.4	30	4	115
MS 25042-20D	MS 20	1 1/4-18	21.4	33	4.8	127
MS 25042-22D	MS 22	1 3/8-18	21.4	36.4	4.8	127
MS 25042-24D	MS 24	1 1/2-18	21.4	39.6	4.8	140
MS 25042-28D	MS 28	1 3/4-18	21.4	46	4.8	197
MS 25042-32D	MS 32	2-18	21.4	52	5.6	197
MS 25042-36D	MS 36	2 1/4-18	21.4	58.7	5.6	197
MS 25042-40D	MS 40	2 1/2-16	21.4	65	5.6	197

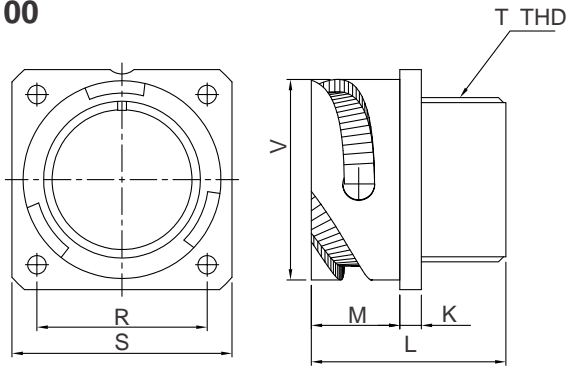
# MIL -C-5015



97B Series Bayonet Version  
connector

## Wall mounting receptacle

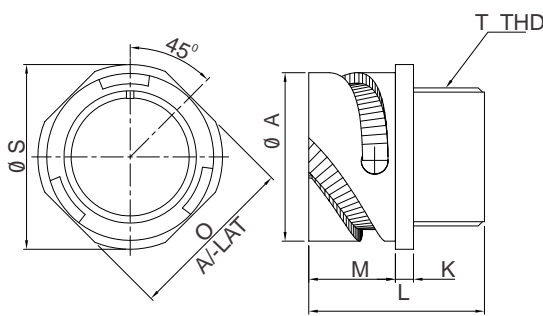
100



Shell Size	'A' +0.0 -0.15	'K' ±0.20	'M' +0.41 - 0.0	'R'	'S' ±0.20	'L' MAX	PG THD
10SL	18.21	2.79	14.20	18.20	25.40	27.60	5/8"-24 UNEF
12S	21.40	3.20	14.20	20.60	28.00	27.60	5/8"-24 UNEF
14S	24.61	3.20	14.20	23.00	30.00	27.60	3/4"-24 UNEF
16S	27.41	3.20	14.20	24.60	32.50	27.60	7/8"-24 UNEF
16	27.41	3.20	19.00	24.60	32.50	33.80	7/8"-24 UNEF
18	30.81	3.99	19.00	27.00	35.00	33.80	1"-20 UNEF
20	34.19	3.99	19.00	29.40	38.00	33.80	1 1/8"-18 UNEF
22	37.39	3.99	19.00	31.80	41.00	33.80	1 1/8"-18 UNEF
24	40.89	3.99	20.60	34.90	44.00	35.70	1 3/8"-18 UNEF
28	46.71	3.99	20.60	39.70	50.80	35.70	1 5/8"-18 UNEF
32	53.39	3.99	22.20	44.50	57.00	37.30	1 7/8"-16 UN
36	59.59	3.99	22.20	49.20	63.50	37.30	2 1/16"-16 UN

## Cable connecting receptacle

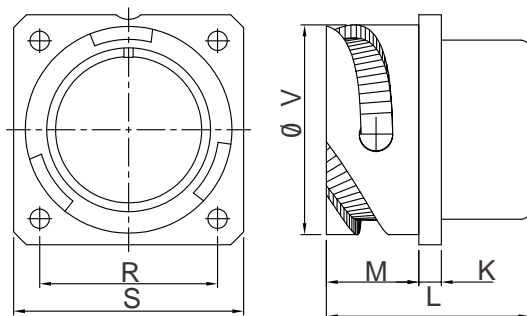
101



Shell Size	'A' +0.0 -0.15	'K' ±0.20	'M' +0.41 - 0.0	'Q' +0.20	'S' ±0.20	'L' MAX	T -2A THD
10SL	18.21	2.79	14.20	20.60	25.00	27.60	5/8"-24 UNEF
12S	21.40	3.20	14.20	23.60	27.60	27.60	5/8"-24 UNEF
14S	24.61	3.20	14.20	25.40	29.60	27.60	3/4"-24 UNEF
16S	27.41	3.20	14.20	28.60	32.10	27.60	7/8"-24 UNEF
16	27.41	3.20	19.00	28.60	32.10	33.80	7/8"-24 UNEF
18	30.81	3.99	19.00	31.70	34.60	33.80	1"-20 UNEF
20	34.19	3.99	19.00	34.90	37.60	33.80	1 1/8"-18 UNEF
22	37.39	3.99	19.00	31.70	40.90	33.80	1 1/4"-18 UNEF
24	40.89	3.99	20.60	41.30	44.40	35.70	1 3/8"-18 UNEF
28	46.71	3.99	20.60	47.60	50.70	35.70	1 5/8"-18 UNEF
32	53.39	3.99	22.20	54.00	56.90	37.30	1 7/8"-16 UN
36	59.59	3.99	22.20	60.60	63.40	37.30	2 1/16"-16 UN

## Box mounting receptacle

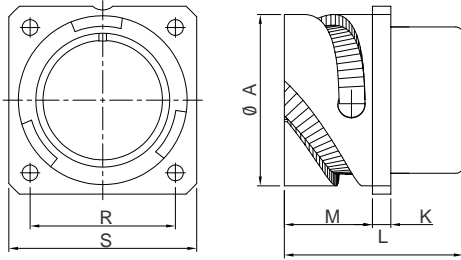
102



SHELL SIZE	'A' +0.0 -0.15	'K' ±0.20	'M' +0.41 - 0.0	'R'	'S' ±0.20	'L' MAX.
10SL	18.21	2.79	14.20	18.20	25.40	24.70
12S	21.40	3.20	14.20	20.60	28.00	27.60
14S	24.61	3.20	14.20	23.00	30.00	24.70
16S	27.41	3.20	14.20	24.60	32.50	24.70
16	27.41	3.20	19.00	24.60	32.50	33.80
18	30.81	3.99	19.00	27.00	35.00	33.80
20	34.19	3.99	19.00	29.40	38.00	33.80
22	37.39	3.99	19.00	31.80	41.00	33.80
24	40.89	3.99	20.60	34.90	44.50	35.70
28	46.71	3.99	20.60	39.70	50.80	35.70
32	53.39	3.99	22.20	44.50	57.00	37.30
36	59.59	3.99	22.20	49.20	63.50	37.30

## Rear mounting Receptacle

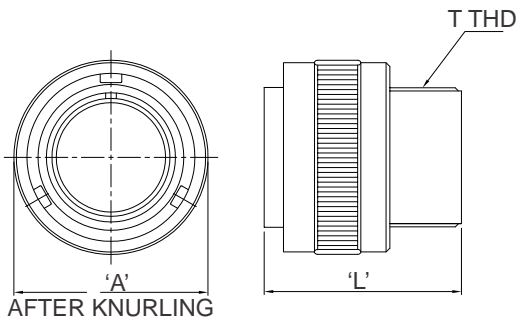
103



SHELL SIZE	'A' +0.0 -0.15	'K' +0.20	'M' +0.41 -0.0	'R' ±0.20	'S' +0.20	'L' MAX.
10SL	18.21	2.79	18.20	18.20	25.40	27.60
12S	21.40	3.20	18.20	20.60	28.00	27.60
14S	24.61	3.20	18.20	23.00	30.00	27.60
16S	27.41	3.20	18.20	24.60	32.50	27.60
16	27.41	3.20	23.05	24.60	32.50	33.80
18	30.81	3.99	23.05	27.00	35.00	33.80
20	34.19	3.99	23.05	29.40	38.00	33.80
22	37.39	3.99	23.05	31.80	41.00	33.80
24	40.89	3.99	23.05	34.90	44.50	35.70
28	46.71	3.99	24.05	39.70	50.80	35.70
32	53.39	3.99	24.05	44.50	57.00	37.30
36	59.59	3.99	24.05	49.20	63.50	37.30

## Plug connector

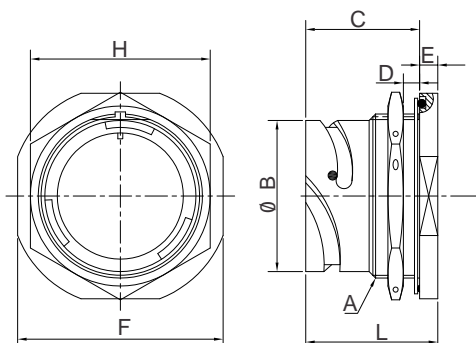
106



SHELL SIZE	'A' MAX.	'L' MAX.	'T' - 2A THD
10SL	22.80	56.00	5/8"-24 UNEF
12S	25.60	56.00	5/8"-24 UNEF
14S	29.20	54.00	3/4"-24 UNEF
16S	32.00	56.00	7/8"-24 UNEF
16	32.00	67.00	7/8"-24 UNEF
18	36.50	74.00	1"-20 UNEF
20	39.90	75.00	1 1/8"-18 UNEF
22	43.10	78.00	1 1/4"-18 UNEF
24	46.60	78.00	1 3/8"-18 UNEF
28	53.40	82.00	1 5/8"-18 UNEF
32	60.10	82.00	1 7/8"-18 UN
36	66.30	90.00	2 1/16"-16 UN

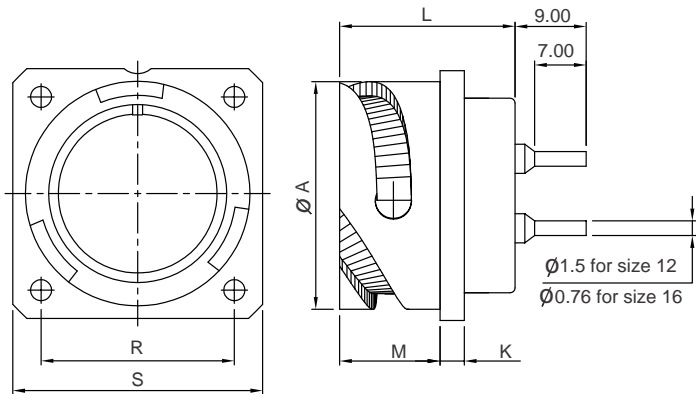
## Jam Nut Receptacles

107



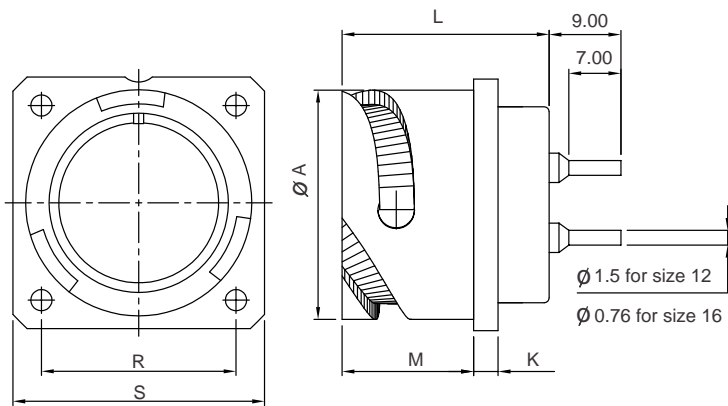
SHELL SIZE	A -2A THREADS	B +0.0 -0.15	C	D WALL THICKNESS		E	F +0.25	H	L
				MIN	MAX				
10SL	7/8" - 20 UNEF	18.20	24.50	2.40	5.20	4.00	31.80	27.00	27.70
14S	1" 1/8-18 UNEF	24.60	26.80	2.40	7.50	4.80	41.30	33.00	30.00
16S	1" 1/4-18 UNEF	27.40	26.80	2.40	7.50	4.80	44.40	38.10	30.00
16	1" 1/4- 18 UNEF	27.40	32.10	2.40	7.50	4.80	44.40	38.10	35.30
18	1" 3/8- 18 UNEF	30.80	33.70	2.40	9.00	4.80	47.60	39.70	37.70
20	1" 1/2- 18 UNEF	34.20	33.70	2.40	9.00	4.80	50.80	44.00	37.70
22	1" 5/8- 18 UNEF	37.40	33.70	2.40	9.10	4.80	54.20	46.00	37.70
24	1" 3/4- 18 UNS	40.90	33.70	2.40	9.10	4.80	57.20	50.80	37.70
28	2" - 18 UNS	46.70	35.20	2.40	8.50	5.60	63.50	55.00	35.20
32	2" 1/4- 16 UN	53.40	35.20	2.40	6.50	5.60	69.80	62.00	35.20
36	2" 1/2- 16 UN	59.60	35.20	2.40	8.30	5.60	76.20	71.00	35.20

### Box mount Receptacle with PC Tail contacts



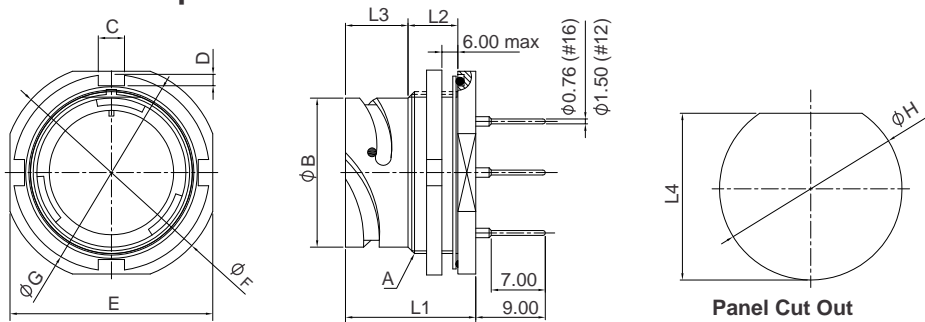
Shell Size	'A' +0.0 -0.15	'K' ±0.20	'M' +0.41 - 0.0	'R'	'S' ±0.20	'L' +0.20
10SL	18.21	2.79	14.20	18.20	25.40	24.70
12S	21.40	3.20	14.20	20.60	28.00	24.70
14S	24.61	3.20	14.20	23.00	30.00	24.70
16S	27.41	3.20	14.20	24.60	32.50	24.70
6	27.41	3.20	19.00	24.60	32.50	33.80
18	30.81	3.99	19.00	27.00	35.00	33.80
20	34.19	3.99	19.00	29.40	38.00	33.80
22	37.39	3.99	19.00	31.80	41.00	33.80
24	40.89	3.99	20.60	34.90	44.50	33.80
28	46.71	3.99	20.60	39.70	50.80	33.80
32	53.39	3.99	22.20	44.50	57.00	33.80
36	59.59	3.99	22.20	49.20	63.50	33.80
40	65.51	3.99	22.20	55.50	69.90	33.80

### Rear Mount Receptacle with PC Tail contacts



Shell Size	'A' +0.0 -0.15	'K' ±0.20	'M' +0.41 - 0.0	'R'	'S' ±0.20	'L' +0.20
10SL	18.21	2.79	18.20	18.20	25.40	24.70
12S	21.40	3.20	18.20	20.60	28.00	24.70
14S	24.61	3.20	18.20	23.00	30.00	24.70
16S	27.41	3.20	18.20	24.60	32.50	24.70
6	27.41	3.20	23.05	24.60	32.50	33.80
18	30.81	3.99	23.05	27.00	35.00	33.80
20	34.19	3.99	23.05	29.40	38.00	33.80
22	37.39	3.99	23.05	31.80	41.00	33.80
24	40.89	3.99	23.05	34.90	44.50	33.80
28	46.71	3.99	24.05	39.70	50.80	33.80
32	53.39	3.99	24.05	44.50	57.00	33.80
36	59.59	3.99	24.05	49.20	63.50	33.80
40	65.51	3.99	24.05	55.50	69.90	33.80

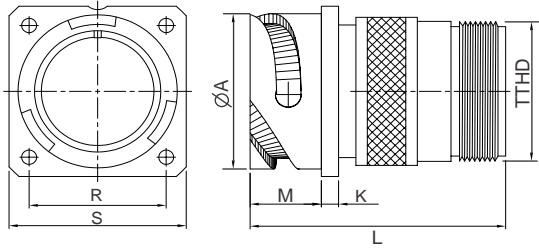
### Jam Nut receptacles with PC Tail contacts



Shell Size	'A' -2A Threads	'B' +0.00 - 0.15	'C'	'D'	'E'	F	G	H	L1	L2	L3	L4
10SL	7/8"-20UNEF	18.20	5.00	2.50	31.80	35.00	31.50	22.70	29.20	13.50	12.50	20.90
14S	1" 1/8-18UNEF	24.60	6.00	2.50	38.10	41.30	37.90	28.80	29.20	13.50	12.50	27.20
16S	1" 1/4-18UNEF	27.40	6.00	2.50	41.20	44.40	41.00	32.00	29.20	13.50	12.50	30.40
16	1" 1/4-18UNEF	27.40	6.00	2.50	41.20	44.40	41.00	32.00	37.70	13.50	21.00	30.40
18	1" 3/8-18UNEF	30.80	7.00	3.00	45.00	48.20	44.80	35.10	40.00	15.00	21.00	33.60
20	1" 1/2-18UNEF	34.20	7.00	3.00	49.20	52.40	49.00	38.20	40.00	15.00	21.00	36.80
22	1" 5/8-18UNEF	37.40	7.00	3.00	52.40	55.50	52.20	42.00	40.00	15.00	21.00	39.90
24	1" 3/4-18UNS	40.90	7.00	3.00	55.20	59.00	55.00	44.70	40.00	15.00	21.00	43.10
28	2"-18UNS	46.70	7.00	3.00	62.20	66.00	62.00	51.10	40.00	15.00	21.00	49.20
32	2" 1/4-16UN	53.40	7.00	3.00	68.20	72.00	68.00	57.40	40.00	15.00	21.00	55.70
36	2" 1/2-16UN	59.60	8.00	3.00	75.20	80.00	75.00	63.80	40.00	15.00	21.00	62.00
40	2" 3/4-16 UN	65.50	8.00	3.00	82.20	87.00	82.00	70.20	40.00	15.00	21.00	68.50

## Wall Mount Receptacle with A type Solid B/S

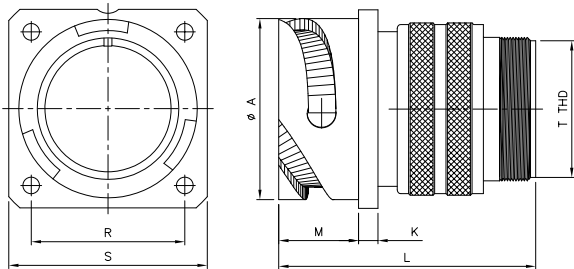
### 100A



Shell Size	'A' +0.0 -0.15	'K' ±0.20	'M' +0.41 - 0.0	'R'	'S' ±0.20	'L' MAX	'T' THD
10SL	18.21	2.79	14.20	18.20	25.40	45.00	5/8-24 UNEF
12s	21.40	3.20	14.20	20.60	28.00	45.00	5/8-24 UNEF
14s	24.61	3.20	14.20	23.00	30.00	48.00	3/4-20 UNEF
16s	27.41	3.20	14.20	24.60	32.50	48.00	7/8-20 UNEF
6	27.41	3.20	19.00	24.60	32.50	55.00	7/8-20 UNEF
18	30.81	3.99	19.00	27.00	35.00	60.00	1-20 UNEF
20	34.19	3.99	19.00	29.40	38.00	65.00	1 3/16-18UNEF
22	37.39	3.99	19.00	31.80	41.00	65.00	1 3/16-18UNEF
24	40.89	3.99	20.60	34.90	44.50	68.00	1 7/16-18UNEF
28	46.71	3.99	20.60	39.70	50.80	68.00	1 7/16-18UNEF
32	53.39	3.99	22.20	44.50	57.00	70.00	1 3/4-18UNS
36	59.59	3.99	22.20	49.20	63.50	70.00	2-18 UNS

## Wall Mount Receptacle with A type solid B/S & Environmental sealing Grommet

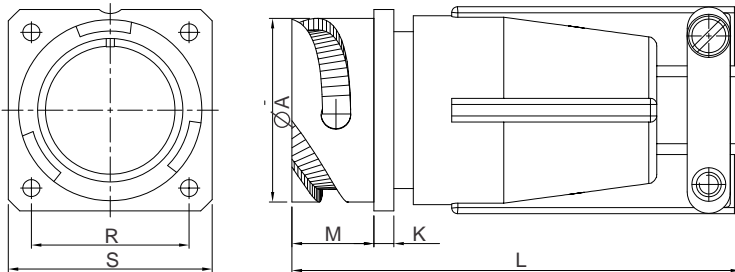
### 100AG



Shell Size	'A' +0.0 -0.15	'K' ±0.20	'M' +0.41 - 0.0	'R'	'S' ±0.20	'L' MAX	'T' THD
10SL	18.21	2.79	14.20	18.20	25.40	68.60	5/8-24 UNEF
12S	21.40	3.20	14.20	20.60	28.00	68.60	5/8-24 UNEF
14S	24.61	3.20	14.20	23.00	30.00	68.60	3/4-20 UNEF
16S	27.41	3.20	14.20	24.60	32.50	68.60	7/8-20 UNEF
6	27.41	3.20	19.00	24.60	32.50	75.00	7/8-20 UNEF
18	30.81	3.99	19.00	27.00	35.00	75.00	1-20 UNEF
20	34.19	3.99	19.00	29.40	38.00	75.00	1 3/16-18UNEF
22	37.39	3.99	19.00	31.80	41.00	75.00	1 3/16-18UNEF
24	40.89	3.99	20.60	34.90	44.50	77.00	1 7/16-18UNEF
28	46.71	3.99	20.60	39.70	50.80	77.00	1 7/16-18UNEF
32	53.39	3.99	22.20	44.50	57.00	80.00	1 3/4-18UNS
36	59.59	3.99	22.20	49.20	63.50	80.00	2-18 UNS

## Wall Mount Receptacle with F type Strain Relief B/S & Environmental sealing Grommet

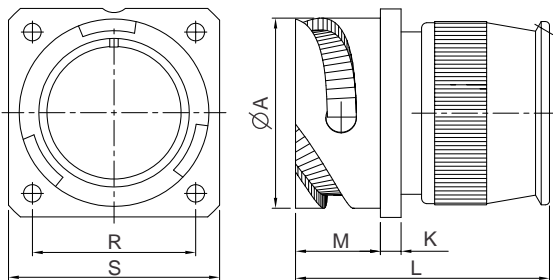
### 100F



SHELL SIZE	'A' +0.0 -0.15	'K' +0.20	'M' +0.41 -0.0	'R'	'S' +0.20	'L' MAX.
10SL	18.21	2.79	14.20	18.20	25.40	60.00
12S	21.40	3.20	14.20	20.60	28.00	60.00
14S	24.61	3.20	14.20	23.00	30.00	61.00
16S	27.41	3.20	14.20	24.60	32.50	61.00
16	27.41	3.20	19.00	24.60	32.50	68.00
18	30.81	3.99	19.00	27.00	35.00	72.00
20	34.19	3.99	19.00	29.40	38.00	74.00
22	37.39	3.99	19.00	31.80	41.00	74.00
24	40.89	3.99	20.60	34.90	44.50	78.00
28	46.71	3.99	20.60	39.70	50.80	78.00
32	53.39	3.99	22.20	44.50	57.00	82.00
36	59.59	3.99	22.20	49.20	63.50	82.00

## Wall Mount Receptacle with R type B/S & Environmental sealing Grommet

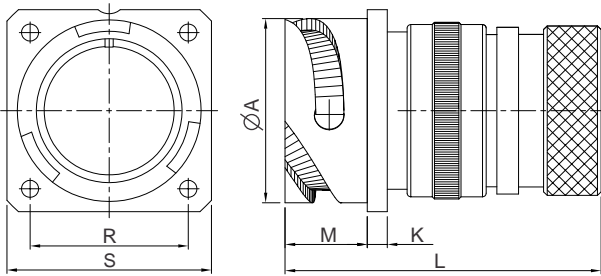
### 100R



SHELL SIZE	'A' +0.0 -0.15	'K' +0.20	'M' +0.41 -0.0	'R'	'S' +0.20	'L' MAX.
10SL	18.21	2.79	14.20	18.20	25.40	47.00
12S	21.40	3.20	14.20	20.60	28.00	47.00
14S	24.61	3.20	14.20	23.00	30.00	47.00
16S	27.41	3.20	14.20	24.60	32.50	48.00
16	27.41	3.20	19.00	24.60	32.50	54.40
18	30.81	3.99	19.00	27.00	35.00	56.40
20	34.19	3.99	19.00	29.40	38.00	56.40
22	37.39	3.99	19.00	31.80	41.00	56.40
24	40.89	3.99	20.60	34.90	44.50	57.40
28	46.71	3.99	20.60	39.70	50.80	57.40
32	53.39	3.99	22.20	44.50	57.00	58.10
36	59.59	3.99	22.20	49.20	63.50	58.10

### Wall Mount Receptacle with G type B/S for heatshrinkable & Environmental sealing Grommet

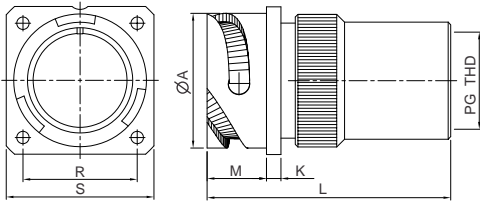
#### 100G



SHELL SIZE	'A' +0.0 -0.15	'K' +0.20	'M' +0.41 -0.0	'R'	'S' +0.20	'L' MAX.
10SL	18.21	2.79	14.20	18.20	25.40	52.50
12S	21.40	3.20	14.20	20.60	28.00	52.50
14S	24.61	3.20	14.20	23.00	30.00	54.40
16S	27.41	3.20	14.20	24.60	32.50	54.40
16	27.41	3.20	19.00	24.60	32.50	61.00
18	30.81	3.99	19.00	27.00	35.00	62.00
20	34.19	3.99	19.00	29.40	38.00	62.00
22	37.39	3.99	19.00	31.80	41.00	65.00
24	40.89	3.99	20.60	34.90	44.50	65.00
28	46.71	3.99	20.60	39.70	50.80	66.00
32	53.39	3.99	22.20	44.50	57.00	71.00
36	59.59	3.99	22.20	49.20	63.50	75.00

### Wall Mount Receptacle with PG threaded type B/S suitable for PG Glands

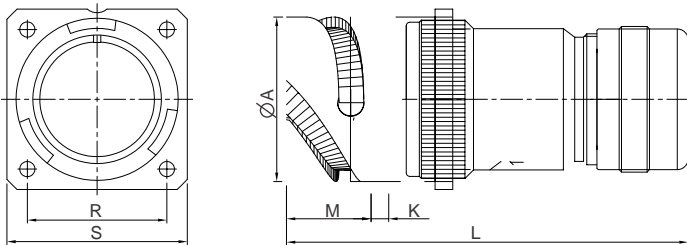
#### 100PG



Shell Size	'A' +0.0 -0.15	'K' ±0.20	'M' +0.41 - 0.0	'R'	'S' ±0.20	'L' MAX	PG THD
10SL	18.21	2.79	14.20	18.20	25.40	56.00	7, 9, 11
12s	21.40	3.20	14.20	20.60	28.00	56.00	7, 9, 11
14s	24.61	3.20	14.20	23.00	30.00	56.00	11, 13.5
16s	27.41	3.20	14.20	24.60	32.50	58.00	9, 11, 16
6	27.41	3.20	19.00	24.60	32.50	66.00	9, 11, 16
18	30.81	3.99	19.00	27.00	35.00	74.00	9, 11, 16, 21
20	34.19	3.99	19.00	29.40	38.00	74.00	11, 16, 21
22	37.39	3.99	19.00	31.80	41.00	77.00	13.5, 16, 21
24	40.89	3.99	20.60	34.90	44.50	77.00	13.5, 16, 21, 29
28	46.71	3.99	20.60	39.70	50.80	78.00	16, 21, 29
32	53.39	3.99	22.20	44.50	57.00	78.00	21, 29
36	59.59	3.99	22.20	49.20	63.50	90.00	21, 29, 36

### Wall Mount Receptacle with EGM B/S for shielded cable & PHM B/S Unshielded cable with sealing rubber bush

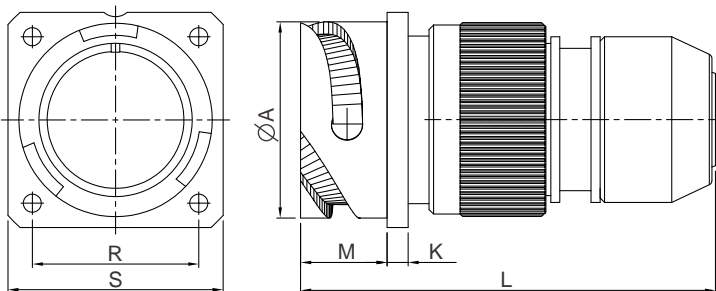
#### 100EGM/PHM



SHELL SIZE	'A' +0.0 -0.15	'K' +0.20	'M' +0.41 -0.0	'R'	'S' +0.20	'L' MAX.
10SL	18.21	2.79	14.20	18.20	25.40	95.60
12S	21.40	3.20	14.20	20.60	28.00	95.60
14S	24.61	3.20	14.20	23.00	30.00	95.60
16S	27.41	3.20	14.20	24.60	32.50	95.60
16	27.41	3.20	19.00	24.60	32.50	102.00
18	30.81	3.99	19.00	27.00	35.00	102.00
20	34.19	3.99	19.00	29.40	38.00	102.00
22	37.39	3.99	19.00	31.80	41.00	102.00
24	40.89	3.99	20.60	34.90	44.50	104.00
28	46.71	3.99	20.60	39.70	50.80	104.00
32	53.39	3.99	22.20	44.50	57.00	106.00
36	59.59	3.99	22.20	49.20	63.50	106.00

### Wall Mount Receptacle with SQ type Shielded B/S & Environmental sealing Grommet & Heat shrinkable option

#### 100SQ

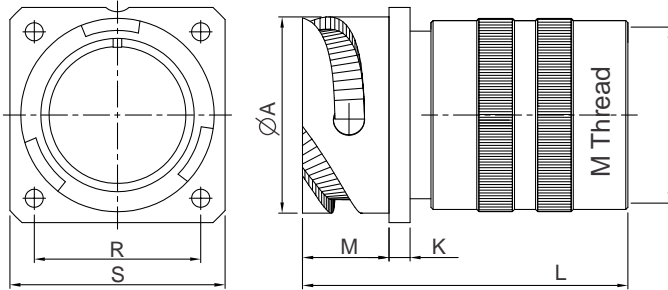


SHELL SIZE	'A' +0.0 -0.15	'K' +0.20	'M' +0.41 -0.0	'R'	'S' +0.20	'L' MAX.
10SL	18.21	2.79	14.20	18.20	25.40	57.00
12S	21.40	3.20	14.20	20.60	28.00	57.00
14S	24.61	3.20	14.20	23.00	30.00	59.00
16S	27.41	3.20	14.20	24.60	32.50	59.00
16	27.41	3.20	19.00	24.60	32.50	66.00
18	30.81	3.99	19.00	27.00	35.00	66.00
20	34.19	3.99	19.00	29.40	38.00	66.00
22	37.39	3.99	19.00	31.80	41.00	66.00
24	40.89	3.99	20.60	34.90	44.50	68.00
28	46.71	3.99	20.60	39.70	50.80	68.00
32	53.39	3.99	22.20	44.50	57.00	70.00
36	59.59	3.99	22.20	49.20	63.50	70.00



### Wall Mount Receptacle with Metric threaded type B/S suitable for Metric Glands

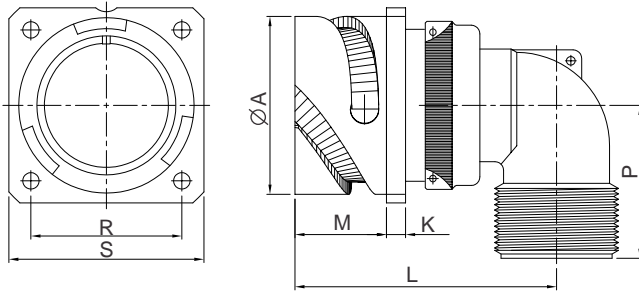
#### 100M



Shell Size	'A' +0.0 -0.15	'K' +0.20	'M' +0.41 - 0.0	'R'	'S' ±0.20	'L' MAX.	M THD
10SL	18.21	2.79	14.20	18.20	25.40	56.00	M12X1.5
14s	24.61	3.20	14.20	23.00	30.00	56.00	M16X1.5
16s	27.41	3.20	14.20	24.60	32.50	58.00	M16X1.5
6	27.41	3.20	19.00	24.60	32.50	66.00	M16X1.5
18	30.81	3.99	19.00	27.00	35.00	74.00	M20X1.5
20	34.19	3.99	19.00	29.40	38.00	74.00	M25X1.5
22	37.39	3.99	19.00	31.80	41.00	77.00	M25X1.5
24	40.89	3.99	20.60	34.90	44.50	77.00	M32X1.5
28	46.71	3.99	20.60	39.70	50.80	78.00	M32X1.5
32	53.39	3.99	22.20	44.50	57.00	78.00	M36X1.5
36	59.59	3.99	22.20	49.20	63.50	90.00	M40X1.5

### Wall Mount Receptacle with 90° B/S & Environmental sealing Grommet

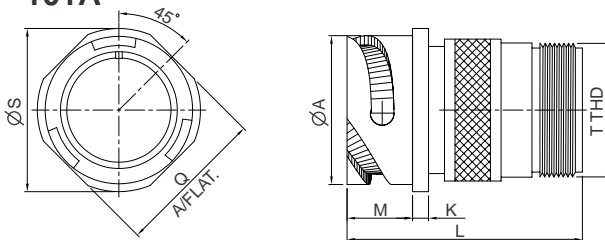
#### 100RT



SHELL SIZE	'A' +0.0 -0.15	'K' +0.20	'M' +0.41 -0.0	'R'	'S' +0.20	'L' MAX.	'P' MAX.
10SL	18.21	2.79	14.20	18.20	25.40	40.50	21.50
12S	21.40	3.20	14.20	20.60	28.00	40.50	21.50
14S	24.61	3.20	14.20	23.00	30.00	42.00	23.00
16S	27.41	3.20	14.20	24.60	32.50	45.00	24.60
16	27.41	3.20	19.00	24.60	32.50	52.00	24.60
18	30.81	3.99	19.00	27.00	35.00	53.00	27.00
20	34.19	3.99	19.00	29.40	38.00	58.00	29.00
22	37.39	3.99	19.00	31.80	41.00	58.00	31.00
24	40.89	3.99	20.60	34.90	44.50	63.00	34.00
28	46.71	3.99	20.60	39.70	50.80	63.00	36.00
32	53.39	3.99	22.20	44.50	57.00	69.00	44.00
36	59.59	3.99	22.20	49.20	63.50	72.30	46.00

### Cable connecting Receptacle with A type Solid B/S

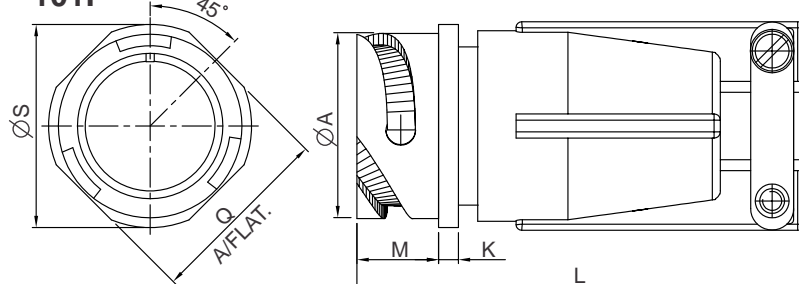
#### 101A



Shell Size	'A' +0.0 -0.15	'K' ±0.20	'M' +0.41 - 0.0	'Q'	'S' ±0.20	'L' MAX	'T' THD
10SL	18.21	2.79	14.20	20.60	25.00	45.00	5/8-24 UNEF
12s	21.40	3.20	14.20	23.60	27.60	45.00	5/8-24 UNEF
14s	24.61	3.20	14.20	25.40	29.60	48.00	3/4-20 UNEF
16s	27.41	3.20	14.20	28.60	32.10	48.00	7/8-20 UNEF
6	27.41	3.20	19.00	28.60	32.10	55.00	7/8-20 UNEF
18	30.81	3.99	19.00	31.70	34.60	60.00	1-20 UNEF
20	34.19	3.99	19.00	34.90	37.60	65.00	1 3/16-18UNEF
22	37.39	3.99	19.00	31.80	40.90	65.00	1 3/16-18UNEF
24	40.89	3.99	20.60	41.30	44.40	68.00	1 7/16-18UNEF
28	46.71	3.99	20.60	47.60	50.70	68.00	1 7/16-18UNEF
32	53.39	3.99	22.20	54.0	56.90	70.00	1 3/4-18UNS
36	59.59	3.99	22.20	60.60	63.40	70.00	2-18 UNS

### Cable connecting Receptacle with F type Strain Relief B/S & Environmental sealing Grommet

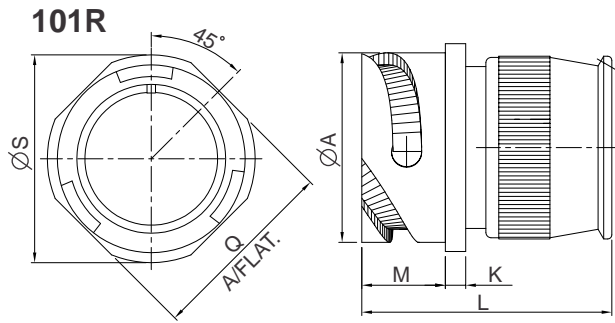
#### 101F



SHELL SIZE	'A' +0.0 -0.15	'K' +0.20	'M' +0.41 -0.0	'Q' +0.20	'S' +0.20	'L' MAX.
10SL	18.21	2.79	14.20	20.60	25.0	60.00
12S	21.40	3.20	14.20	23.60	27.60	60.00
14S	24.61	3.20	14.20	25.40	29.60	61.00
16S	27.41	3.20	14.20	28.60	32.10	61.00
16	27.41	3.20	19.00	28.60	32.10	68.00
18	30.81	3.99	19.00	31.70	34.60	72.00
20	34.19	3.99	19.00	34.90	37.60	74.00
22	37.39	3.99	19.00	31.80	40.90	74.00
24	40.89	3.99	20.60	41.30	44.40	78.00
28	46.71	3.99	20.60	47.60	50.70	78.00
32	53.39	3.99	22.20	54.0	56.90	82.00
36	59.59	3.99	22.20	60.60	63.40	82.00

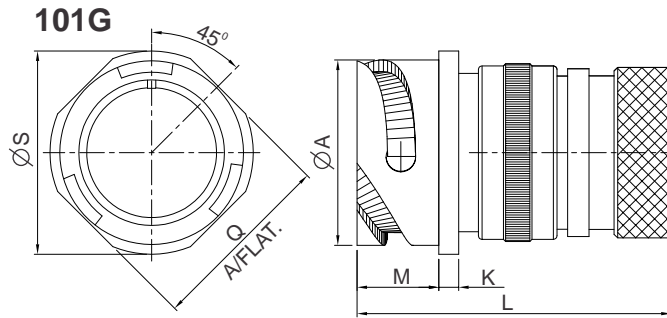


## Cable connecting Receptacle with R type B/S & Environmental sealing Grommet



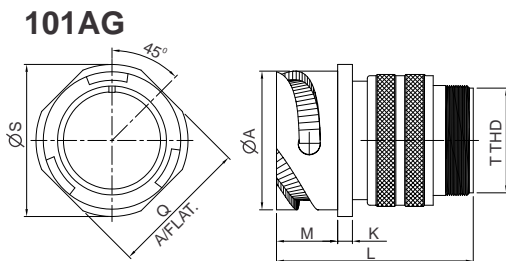
SHELL SIZE	'A' +0.0 -0.15	'K' +0.20	'M' +0.41 -0.0	'Q' +0.20	'S' +0.20	'L' MAX.
10SL	18.21	2.79	14.20	20.60	25.00	47.00
12S	21.40	3.20	14.20	23.60	27.60	47.00
14S	24.61	3.20	14.20	25.40	29.60	47.00
16S	27.41	3.20	14.20	28.60	32.10	48.00
16	27.41	3.20	19.00	28.60	32.10	54.40
18	30.81	3.99	19.00	31.70	34.60	56.40
20	34.19	3.99	19.00	34.90	37.60	56.40
22	37.39	3.99	19.00	31.80	40.90	56.40
24	40.89	3.99	20.60	41.30	44.40	57.40
28	46.71	3.99	20.60	47.60	50.70	57.40
32	53.39	3.99	22.20	54.00	56.90	58.10
36	59.59	3.99	22.20	60.00	63.40	58.10

## Cable connecting Receptacle with G type B/S for heatshrinkable & Environmental sealing Grommet



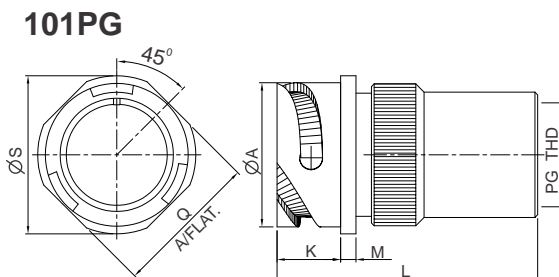
SHELL SIZE	'A' +0.0 -0.15	'K' +0.20	'M' +0.41 -0.0	'Q' +0.20	'S' +0.20	'L' MAX.
10SL	18.21	2.79	14.20	20.60	25.40	52.50
12S	21.40	3.20	14.20	23.60	28.00	52.50
14S	24.61	3.20	14.20	25.40	30.00	54.40
16S	27.41	3.20	14.20	28.60	32.50	54.40
16	27.41	3.20	19.00	28.60	32.50	61.00
18	30.81	3.99	19.00	31.70	35.00	62.00
20	34.19	3.99	19.00	34.90	38.00	63.00
22	37.39	3.99	19.00	31.80	41.00	65.00
24	40.89	3.99	20.60	41.30	44.50	65.00
28	46.71	3.99	20.60	47.60	50.80	66.00
32	53.39	3.99	22.20	54.0	57.00	71.00
36	59.59	3.99	22.20	60.60	63.50	75.00

## Cable connecting Receptacle with A type Solid B/S & Environmental sealing Grommet



Shell Size	'A' +0.0 -0.15	'K' ±0.20	'M' +0.41 - 0.0	'Q' +0.20	'S' ±0.20	'L' MAX	'T' THD
10SL	18.21	2.79	14.20	20.60	25.40	68.60	5/8-24 UNEF
12s	21.40	3.20	14.20	23.60	28.00	68.60	5/8-24 UNEF
14s	24.61	3.20	14.20	25.40	30.00	68.60	3/4-20 UNEF
16s	27.41	3.20	14.20	28.60	32.50	68.60	7/8-20 UNEF
6	27.41	3.20	19.00	28.60	32.50	75.00	7/8-20 UNEF
18	30.81	3.99	19.00	31.70	35.00	75.00	1-20 UNEF
20	34.19	3.99	19.00	34.90	38.00	75.00	1 3/16-18UNEF
22	37.39	3.99	19.00	31.80	41.00	75.00	1 3/16-18UNEF
24	40.89	3.99	20.60	41.30	44.50	77.00	1 7/16-18UNEF
28	46.71	3.99	20.60	47.60	50.80	77.00	1 7/16-18UNEF
32	53.39	3.99	22.20	54.0	57.00	80.00	1 3/4-18UNS
36	59.59	3.99	22.20	60.60	63.50	80.00	2-18 UNS

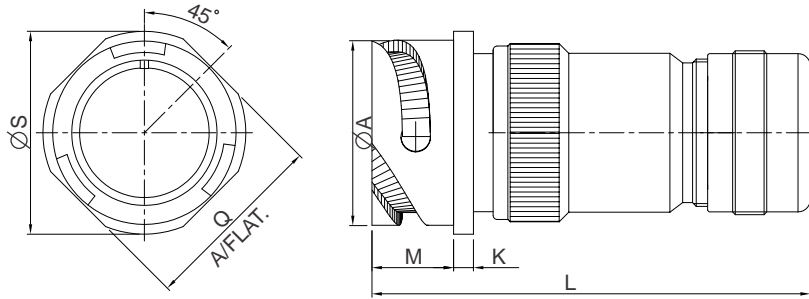
## Cable connecting Receptacle with PG threaded type B/S suitable for PG Glands



Shell Size	'A' +0.0 -0.15	'K' ±0.20	'M' +0.41 - 0.0	'Q' +0.20	'S' ±0.20	'L' MAX	PG THD
10SL	18.21	2.79	14.20	20.60	25.40	56.00	7, 9, 11
12s	21.40	3.20	14.20	23.60	28.00	56.00	7, 9, 11
14s	24.61	3.20	14.20	25.40	30.00	56.00	11, 13.5
16s	27.41	3.20	14.20	28.60	32.50	58.00	9, 11, 16
6	27.41	3.20	19.00	28.60	32.50	66.00	9, 11, 16
18	30.81	3.99	19.00	31.70	35.00	74.00	9, 11, 16, 21
20	34.19	3.99	19.00	34.90	38.00	74.00	11, 16, 21
22	37.39	3.99	19.00	31.80	41.00	77.00	13.5, 16, 21
24	40.89	3.99	20.60	41.30	44.50	77.00	13.5, 16, 21, 29
28	46.71	3.99	20.60	47.60	50.80	78.00	16, 21, 29
32	53.39	3.99	22.20	54.0	57.00	78.00	21, 29
36	59.59	3.99	22.20	60.60	63.50	90.00	21, 29, 36

## Cable connecting Receptacle with EGM B/S for shielded cable & PHM B/S Unshielded cable with sealing rubber bush

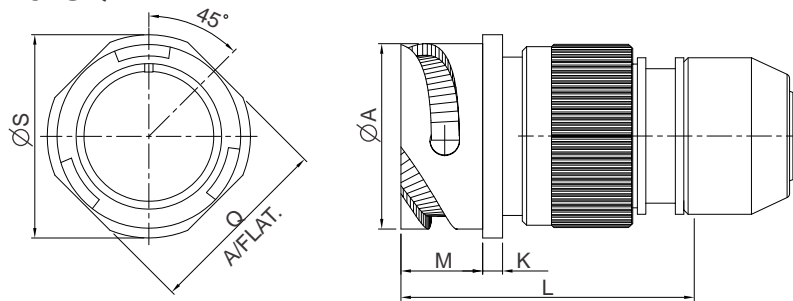
### 101EGM/PHM



SHELL SIZE	'A' +0.0 -0.15	'K' +0.20	'M' +0.41 -0.0	'Q' +0.20	'S' +0.20	'L' MAX.
10SL	18.21	2.79	14.20	20.60	25.40	95.60
12S	21.40	3.20	14.20	23.60	28.00	95.60
14S	24.61	3.20	14.20	25.40	30.00	95.60
16S	27.41	3.20	14.20	28.60	32.50	95.60
16	27.41	3.20	19.00	28.60	32.50	102.00
18	30.81	3.99	19.00	31.70	35.00	102.00
20	34.19	3.99	19.00	34.90	38.00	102.00
22	37.39	3.99	19.00	31.80	41.00	102.00
24	40.89	3.99	20.60	41.30	44.50	104.00
28	46.71	3.99	20.60	47.60	50.80	104.00
32	53.39	3.99	22.20	54.0	57.00	106.00
36	59.59	3.99	22.20	60.60	63.50	106.00

## Cable connecting Receptacle with SQ type Shielded B/S & Environmental sealing Grommet & Heat Shrinkable option

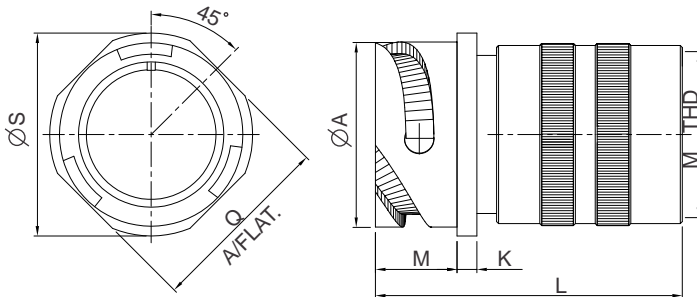
### 101SQ



SHELL SIZE	'A' +0.0 -0.15	'K' +0.20	'M' +0.41 -0.0	'Q' +0.20	'S' +0.20	'L' MAX.
10SL	18.21	2.79	14.20	20.60	25.40	57.00
12S	21.40	3.20	14.20	23.60	28.00	57.00
14S	24.61	3.20	14.20	25.40	30.00	59.00
16S	27.41	3.20	14.20	28.60	32.50	59.00
16	27.41	3.20	19.00	28.60	32.50	66.00
18	30.81	3.99	19.00	31.70	35.00	66.00
20	34.19	3.99	19.00	34.90	38.00	66.00
22	37.39	3.99	19.00	31.80	41.00	66.00
24	40.89	3.99	20.60	41.30	44.50	68.00
28	46.71	3.99	20.60	47.60	50.80	68.00
32	53.39	3.99	22.20	54.0	57.00	70.00
36	59.59	3.99	22.20	60.60	63.50	70.00

## Cable connecting Receptacle with Metric threaded type B/S suitable for Metric Glands

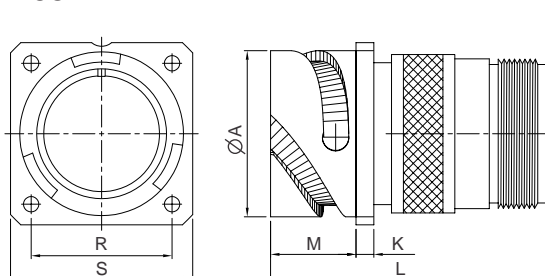
### 101M



Shell Size	'A' +0.0 -0.15	'K' +0.20	'M' +0.41 - 0.0	'Q' +0.20	'S' ±0.20	'L' MAX.	M THD
10SL	18.21	2.79	14.20	20.60	25.40	56.00	M12X1.5
14s	24.61	3.20	14.20	25.40	30.00	56.00	M16X1.5
16s	27.41	3.20	14.20	28.60	32.50	58.00	M16X1.5
6	27.41	3.20	19.00	28.60	32.50	66.00	M16X1.5
18	30.81	3.99	19.00	31.70	35.00	74.00	M20X1.5
20	34.19	3.99	19.00	34.90	38.00	74.00	M25X1.5
22	37.39	3.99	19.00	31.80	41.00	77.00	M25X1.5
24	40.89	3.99	20.60	41.30	44.50	77.00	M32X1.5
28	46.71	3.99	20.60	47.60	50.80	78.00	M32X1.5
32	53.39	3.99	22.20	54.0	57.00	78.00	M36X1.5
36	59.59	3.99	22.20	60.60	63.50	90.00	M40X1.5

## Rear wall Mount Receptacle with A type Solid B/S

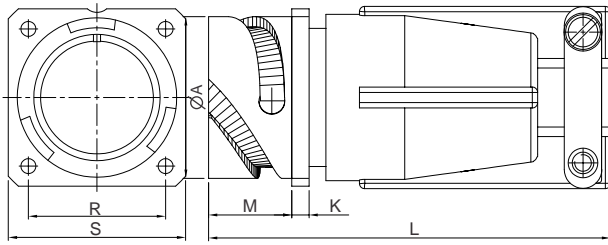
### 103A



Shell Size	'A' +0.0 -0.15	'K' +0.20	'M' +0.41 - 0.0	'R' +0.10	'S' +0.20	'T' THD	'L' MAX
10SL	18.21	2.79	18.20	18.20	25.40	5/8-24 UNEF	45.00
12s	21.40	3.20	18.20	20.60	28.00	5/8-24 UNEF	45.00
14s	24.61	3.20	18.20	23.00	30.00	3/4-20 UNEF	48.00
16s	27.41	3.20	18.20	24.60	32.50	7/8-20 UNEF	48.00
6	27.41	3.20	23.05	24.60	32.50	7/8-20 UNEF	55.00
18	30.81	3.99	23.05	27.00	35.00	1-20 UNEF	60.00
20	34.19	3.99	23.05	29.40	38.00	1 3/16-18UNEF	65.00
22	37.39	3.99	23.05	31.80	41.00	1 3/16-18UNEF	65.00
24	40.89	3.99	23.05	34.90	44.50	1 7/16-18UNEF	68.00
28	46.71	3.99	24.05	39.70	50.80	1 7/16-18UNEF	68.00
32	53.39	3.99	24.05	44.50	57.00	1 3/4-18UNS	70.00
36	59.59	3.99	24.05	49.20	63.50	2-18 UNS	70.00

### Rear wall Mount Receptacle with F type Strain Relief B/S & Environmental sealing Grommet

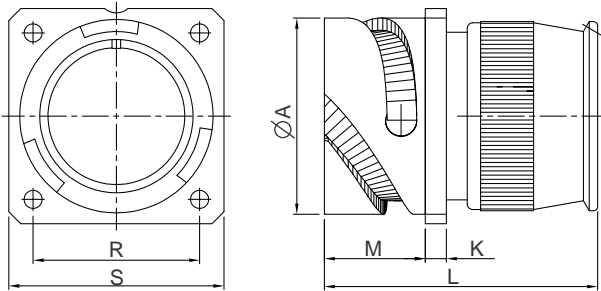
103F



SHELL SIZE	'A' +0.0 -0.15	'K' ±0.20	'M' +0.41 -0.0	'R' ±0.10	'S' ±0.20	'T' THD.	'L' MAX
10SL	18.21	2.79	18.20	18.20	25.40	5/8-24 UNEF	60.00
12S	21.40	3.20	18.20	20.60	28.00	5/8 24 UNEF	60.00
14S	24.61	3.20	18.20	23.00	30.00	3/4-20 UNEF	61.00
16S	27.41	3.20	18.20	24.60	32.50	7/8-20 UNEF	61.00
16	27.41	3.20	23.05	24.60	32.50	7/8-20 UNEF	68.00
18	30.81	3.99	23.05	27.00	35.00	1-20 UNEF	72.00
20	34.19	3.99	23.05	29.40	38.00	1 3/16-18 UNEF	74.00
22	37.39	3.99	23.05	31.80	41.00	1 3/16-18 UNEF	74.00
24	40.89	3.99	23.05	34.90	44.50	1 7/16-18 UNEF	78.00
28	46.71	3.99	24.05	39.70	50.80	1 7/16-18 UNEF	78.00
32	53.39	3.99	24.05	44.50	57.00	1 3/4-18 UNS	82.00
36	59.59	3.99	24.05	49.20	63.50	2-18 UNS	82.00

### Rear wall Mount Receptacle with R type B/S & Environmental sealing Grommet

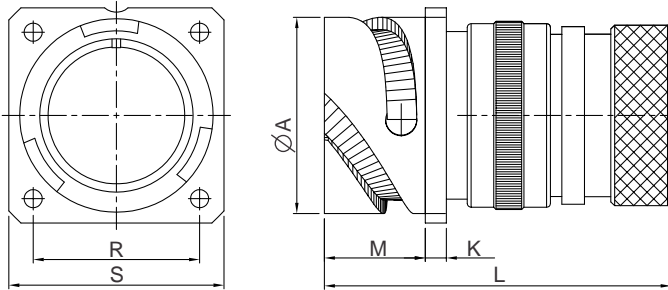
103R



SHELL SIZE	'A' +0.0 -0.15	'K' ±0.20	'M' +0.41 -0.0	'R'	'S' ±0.20	'L' MAX.
10SL	18.21	2.79	18.20	18.20	25.40	47.00
12S	21.40	3.20	18.20	20.60	28.00	47.00
14S	24.61	3.20	18.20	23.00	30.00	47.00
16S	27.41	3.20	18.20	24.60	32.50	48.00
16	27.41	3.20	23.05	24.60	32.50	54.40
18	30.81	3.99	23.05	27.00	35.00	56.40
20	34.19	3.99	23.05	29.40	38.00	56.40
22	37.39	3.99	23.05	31.80	41.00	56.40
24	40.89	3.99	23.05	34.90	44.50	57.40
28	46.71	3.99	24.05	39.70	50.80	57.40
32	53.39	3.99	24.05	44.50	57.00	58.10
36	59.59	3.99	24.05	49.20	63.50	58.10

### Rear wall Mount Receptacle with G type B/S for heatshrinkable & Environmental sealing Grommet

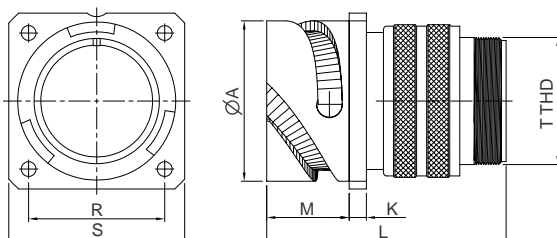
103G



SHELL SIZE	'A' +0.0 -0.15	'K' ±0.20	'M' +0.41 -0.0	'R' ±0.10	'S' ±0.20	'L' MAX.
10SL	18.21	2.79	18.20	18.20	25.40	52.50
12S	21.40	3.20	18.20	20.60	28.00	52.50
14S	24.61	3.20	18.20	23.00	30.00	54.40
16S	27.41	3.20	18.20	24.60	32.50	54.40
16	27.41	3.20	23.05	24.60	32.50	61.00
18	30.81	3.99	23.05	27.00	35.00	62.00
20	34.19	3.99	23.05	29.40	38.00	63.00
22	37.39	3.99	23.05	31.80	41.00	65.00
24	40.89	3.99	23.05	34.90	44.50	65.00
28	46.71	3.99	24.05	39.70	50.80	66.00
32	53.39	3.99	24.05	44.50	57.00	71.00
36	59.59	3.99	24.05	49.20	63.50	75.00

### Rear wall Mount Receptacle with A type Solid B/S & Environmental sealing Grommet

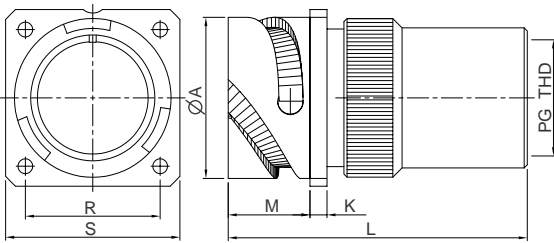
103AG



Shell Size	'A' +0.0 -0.15	'K' ±0.20	'M' +0.41 - 0.0	'R' ±0.10	'S' ±0.20	'T' THD	'L' MAX
10SL	18.21	2.79	18.20	18.20	25.40	5/8-24 UNEF	68.60
12s	21.40	3.20	18.20	20.60	28.00	5/8-24 UNEF	68.60
14s	24.61	3.20	18.20	23.00	30.00	3/4-20 UNEF	68.60
16s	27.41	3.20	18.20	24.60	32.50	7/8-20 UNEF	68.60
6	27.41	3.20	23.05	24.60	32.50	7/8-20 UNEF	75.00
18	30.81	3.99	23.05	27.00	35.00	1-20 UNEF	75.00
20	34.19	3.99	23.05	29.40	38.00	1 3/16-18UNEF	75.00
22	37.39	3.99	23.05	31.80	41.00	1 3/16-18UNEF	75.00
24	40.89	3.99	23.05	34.90	44.50	1 7/16-18UNEF	77.00
28	46.71	3.99	24.05	39.70	50.80	1 7/16-18UNEF	77.00
32	53.39	3.99	24.05	44.50	57.00	1 3/4-18UNS	80.00
36	59.59	3.99	24.05	49.20	63.50	2-18 UNS	80.00

### Rear wall Mount Receptacle with PG threaded type B/S suitable for PG Glands

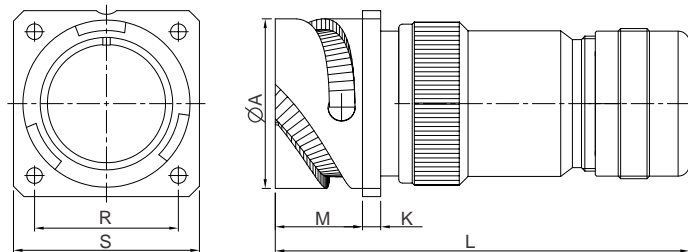
#### 103PG



Shell Size	'A' +0.0 -0.15	'K' ±0.20	'M' +0.41 -0.0	'R' +0.10	'S' ±0.20	'L' MAX	PG THD
10SL	18.21	2.79	18.20	18.20	25.40	56.00	7, 9, 11
12s	21.40	3.20	18.20	20.60	28.00	56.00	7, 9, 11
14s	24.61	3.20	18.20	23.00	30.00	56.00	11, 13.5
16s	27.41	3.20	18.20	24.60	32.50	58.00	9, 11, 16
6	27.41	3.20	23.05	24.60	32.50	66.00	9, 11, 16
18	30.81	3.99	23.05	27.00	35.00	74.00	9, 11, 16, 21
20	34.19	3.99	23.05	29.40	38.00	74.00	11, 16, 21
22	37.39	3.99	23.05	31.80	41.00	77.00	13.5, 16, 21
24	40.89	3.99	23.05	34.90	44.50	77.00	13.5, 16, 21, 29
28	46.71	3.99	24.05	39.70	50.80	78.00	16, 21, 29
32	53.39	3.99	24.05	44.50	57.00	78.00	21, 29
36	59.59	3.99	24.05	49.20	63.50	90.00	21, 29, 36

### Rear wall Mount Receptacle with EGM B/S for shielded cable & PHM B/S Unshielded cable with sealing rubber bush

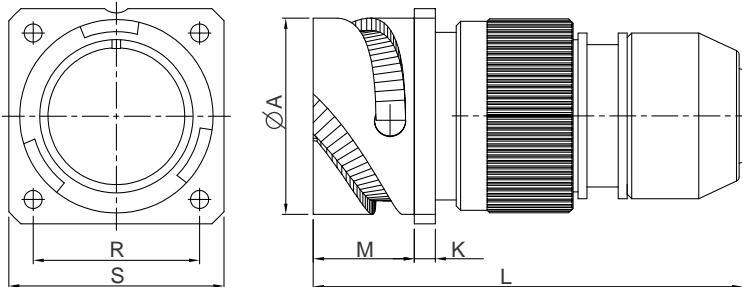
#### 103 EGM/PHM



SHELL SIZE	'A' +0.0 -0.15	'K' +0.20	'M' +0.41 -0.0	'R'	'S' +0.20	'L' MAX.
10SL	18.21	2.79	14.20	18.20	25.40	95.60
12S	21.40	3.20	14.20	20.60	28.00	95.60
14S	24.61	3.20	14.20	23.00	30.00	95.60
16S	27.41	3.20	14.20	24.60	32.50	95.60
16	27.41	3.20	19.00	24.60	32.50	102.00
18	30.81	3.99	19.00	27.00	35.00	102.00
20	34.19	3.99	19.00	29.40	38.00	102.00
22	37.39	3.99	19.00	31.80	41.00	102.00
24	40.89	3.99	20.60	34.90	44.50	104.00
28	46.71	3.99	20.60	39.70	50.80	104.00
32	53.39	3.99	22.20	44.50	57.00	106.00
36	59.59	3.99	22.20	49.20	63.50	106.00

### Rear wall Mount Receptacle with SQ type Shielded B/S & Environmental sealing Grommet & Heat Shrinkable Option

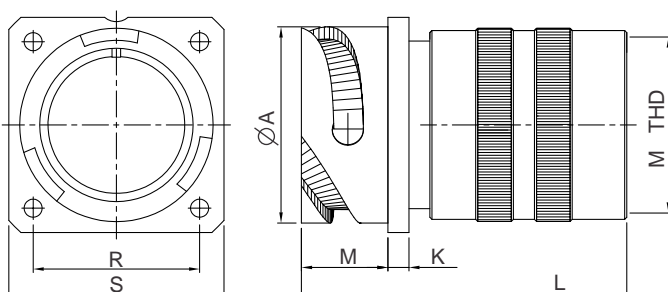
#### 103SQ



SHELL SIZE	'A' +0.0 -0.15	'K' +0.20	'M' +0.41 -0.0	'R' +0.10	'S' +0.20	'L' MAX.
10SL	18.21	2.79	18.20	18.20	25.40	57.00
12S	21.40	3.20	18.20	20.60	28.00	57.00
14S	24.61	3.20	18.20	23.00	30.00	59.00
16S	27.41	3.20	18.20	24.60	32.50	59.00
16	27.41	3.20	23.05	24.60	32.50	66.00
18	30.81	3.99	23.05	27.00	35.00	66.00
20	34.19	3.99	23.05	29.40	38.00	66.00
22	37.39	3.99	23.05	31.80	41.00	66.00
24	40.89	3.99	23.05	34.90	44.50	68.00
28	46.71	3.99	24.05	39.70	50.80	68.00
32	53.39	3.99	24.05	44.50	57.00	70.00
36	59.59	3.99	24.05	49.20	63.50	70.00

### Rear wall Mount Receptacle with Metric threaded type B/S suitable for Metric Glands

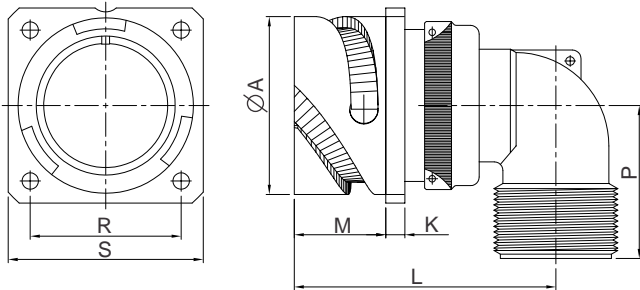
#### 103M



Shell Size	'A' +0.0 -0.15	'K' +0.20	'M' +0.41 -0.0	'R'	'S' ±0.20	'L' MAX.	M THD
10SL	18.21	2.79	18.20	18.20	25.40	56.00	M12X1.5
14s	24.61	3.20	18.20	23.00	30.00	56.00	M16X1.5
16s	27.41	3.20	18.20	24.60	32.50	58.00	M16X1.5
6	27.41	3.20	23.05	24.60	32.50	66.00	M16X1.5
18	30.81	3.99	23.05	27.00	35.00	74.00	M20X1.5
20	34.19	3.99	23.05	29.40	38.00	74.00	M25X1.5
22	37.39	3.99	23.05	31.80	41.00	77.00	M25X1.5
24	40.89	3.99	23.05	34.90	44.50	77.00	M32X1.5
28	46.71	3.99	24.05	39.70	50.80	78.00	M32X1.5
32	53.39	3.99	24.05	44.50	57.00	78.00	M36X1.5
36	59.59	3.99	24.05	49.20	63.50	90.00	M40X1.5

## Rear wall Mount Receptacle with 90° B/S & Environmental sealing Grommet

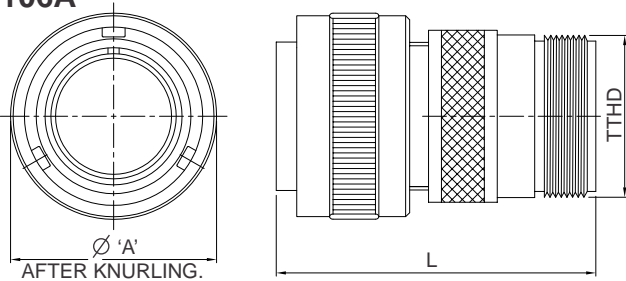
### 103RT



SHELL SIZE	'A' +0.0 -0.15	'K' +0.20	'M' +0.41 -0.0	'R'	'S' +0.20	'L' MAX.	'P' MAX.
10SL	18.21	2.79	14.20	18.20	25.40	40.50	21.50
12S	21.40	3.20	14.20	20.60	28.00	40.50	21.50
14S	24.61	3.20	14.20	23.00	30.00	42.00	23.00
16S	27.41	3.20	14.20	24.60	32.50	45.00	24.60
16	27.41	3.20	19.00	24.60	32.50	52.00	24.60
18	30.81	3.99	19.00	27.00	35.00	53.00	27.00
20	34.19	3.99	19.00	29.40	38.00	58.00	29.00
22	37.39	3.99	19.00	31.80	41.00	58.00	31.00
24	40.89	3.99	20.60	34.90	44.50	63.00	34.00
28	46.71	3.99	20.60	39.70	50.80	63.00	36.00
32	53.39	3.99	22.20	44.50	57.00	69.00	44.00
36	59.59	3.99	22.20	49.20	63.50	72.30	46.00

## Straight Plug with A type solid B/S

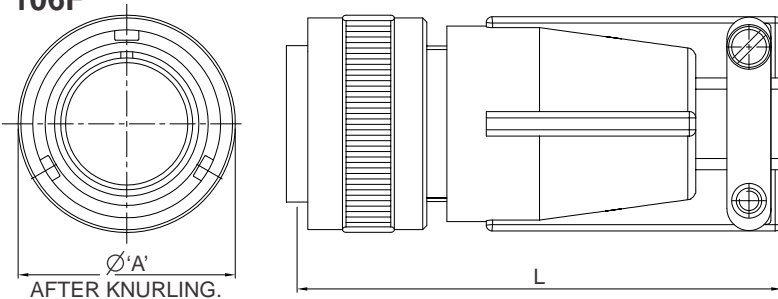
### 106A



SHELL SIZE	'A' MAX.	'L' MAX.	'T' THD
10SL	22.80	44.00	5/8-24 UNEF
12S	25.60	44.00	5/8-24 UNEF
14S	29.20	46.00	3/4-20 UNEF
16S	32.00	46.00	7/8-20 UNEF
16	32.00	46.00	7/8-20 UNEF
18	36.50	55.00	1-20 UNEF
20	39.90	62.00	1 3/16-18 UNEF
22	46.10	65.00	1 3/16-18 UNEF
24	46.60	65.00	1 7/16-18 UNEF
28	53.40	68.00	1 7/16-18 UNEF
32	60.10	70.00	1 3/4-18 UNS
36	66.30	70.00	2-18 UNS

## Rear wall Mount Receptacle with SQ type Shielded B/S & Environmental sealing Grommet

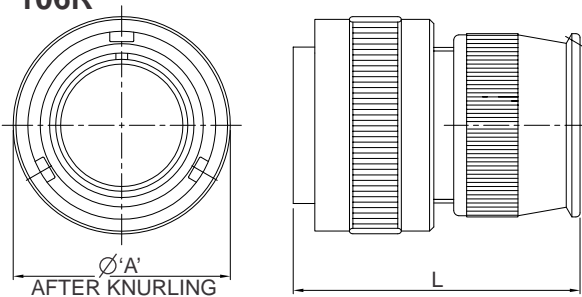
### 106F



SHELL SIZE	'A' MAX.	'L' MAX	'T' THD.
10SL	22.80	60.00	5/8-24 UNEF
12S	25.60	60.00	5/8-24 UNEF
14S	29.20	60.00	3/4-20 UNEF
16S	32.00	60.00	7/8-20 UNEF
16	32.00	68.00	7/8-20 UNEF
18	36.50	72.00	1-20 UNEF
20	39.90	74.00	1 3/16-18 UNEF
22	43.10	74.00	1 3/16-18 UNEF
24	46.60	78.00	1 7/16-18 UNEF
28	53.40	78.00	1 7/16-18 UNEF
32	60.10	82.00	1 3/4-18 UNS
36	66.30	82.00	2-18 UNS

## Straight Plug with R type B/S & Environmental sealing Grommet

### 106R

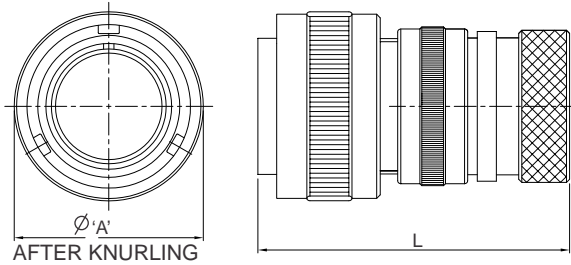


SHELL SIZE	'A' MAX.	'L' MAX.
10SL	22.80	47.00
12S	25.60	47.00
14S	29.20	47.00
16S	32.00	47.00
16	32.00	55.40
18	36.50	57.40
20	39.90	57.40
22	43.10	57.40
24	46.60	57.40
28	53.40	57.40
32	60.10	58.10
36	66.30	58.10



## Straight Plug with G type B/S for Heat Shrinkable & Environmental sealing Grommet

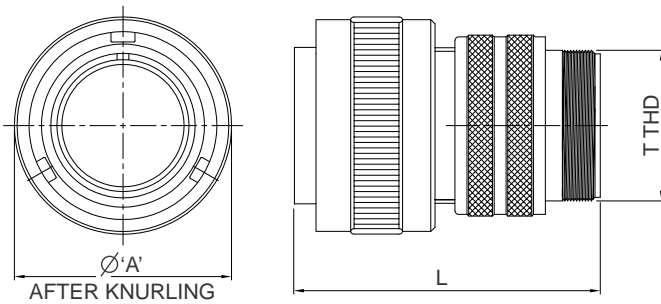
### 106G



SHELL SIZE	'A' MAX	'L' MAX
10SL	22.80	53.00
12S	25.60	53.00
14S	29.20	53.00
16S	32.00	53.00
16	32.00	61.00
18	36.50	62.00
20	39.90	63.00
22	43.10	65.00
24	46.60	65.00
28	53.40	68.00
32	60.10	71.00
36	66.30	75.00

## Straight Plug with A type Solid B/S & Environmental sealing Grommet

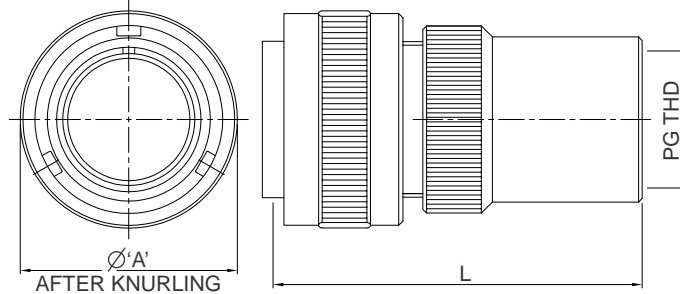
### 106AG



SHELL SIZE	'A' MAX.	'L' MAX.	'T' THD
10SL	22.80	68.60	5/8-24 UNEF
12S	25.60	68.60	5/8-24 UNEF
14S	29.20	67.00	3/4-20 UNEF
16S	32.00	67.00	7/8-20 UNEF
16	32.00	76.00	7/8-20 UNEF
18	36.50	76.00	1-20 UNEF
20	39.90	76.00	1 3/16-18UNEF
22	43.10	76.00	1 3/16-18UNEF
24	46.60	78.00	1 7/16-18UNEF
28	53.40	78.00	1 7/16-18UNEF
32	60.10	80.00	1 3/4-18UNS
36	66.30	80.00	2-18 UNS

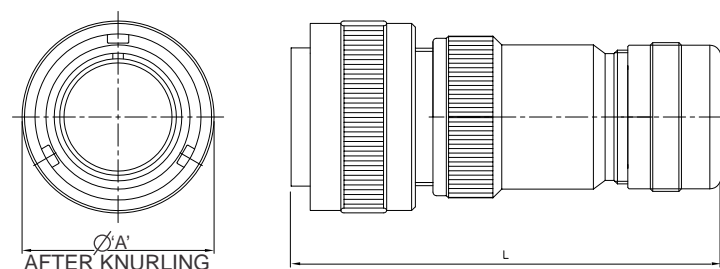
## Straight Plug with PG threaded type B/S suitable for PG Glands

### 106PG



SHELL SIZE	'A' MAX.	'L' MAX	PG THD
10SL	22.80	56.00	7, 9, 11
12S	25.60	56.00	7, 9, 11
14S	29.20	56.00	11, 13.5
16S	32.00	58.00	9, 11, 16
16	32.00	66.00	9, 11, 16
18	36.50	74.00	9, 11, 16, 21
20	39.90	74.00	11, 16, 21
22	43.10	77.00	13.5, 16, 21
24	46.60	77.00	13.5, 16, 21, 29
28	53.40	78.00	16, 21, 29
32	60.10	78.00	21, 29
36	66.30	90.00	21, 29, 36

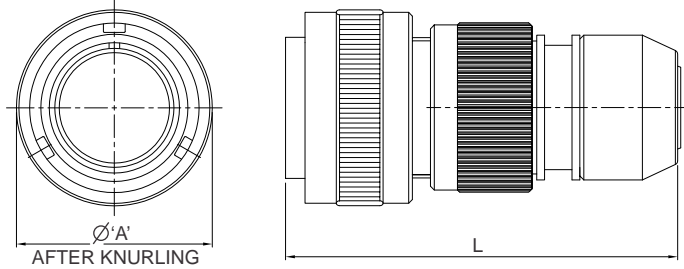
### 106 EGM/PHM



SHELL SIZE	'A' MAX	'L' MAX
10SL	22.80	53.00
12S	25.60	53.00
14S	29.20	53.00
16S	32.00	53.00
16	32.00	61.00
18	36.50	62.00
20	39.90	63.00
22	43.10	65.00
24	46.60	65.00
28	53.40	68.00
32	60.10	71.00
36	66.30	75.00

### Straight Plug with SQ type Shielded B/S & Environmental sealing Grommet & Heat Shrinkable option

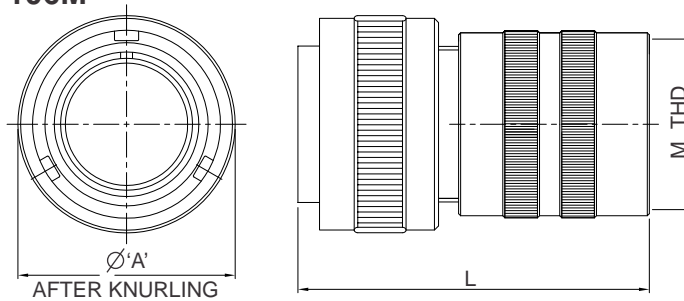
#### 106SQ



SHELL SIZE	'A' MAX.	'L' MAX.
10SL	22.80	56.60
12S	25.60	56.60
14S	29.20	57.00
16S	32.00	57.00
16	32.00	66.00
18	36.50	66.00
20	39.90	66.00
22	43.10	66.00
24	46.60	68.00
28	53.40	66.00
32	60.10	70.00
36	66.30	70.00

### Straight Plug with Metric threaded type B/S suitable for Metric Glands

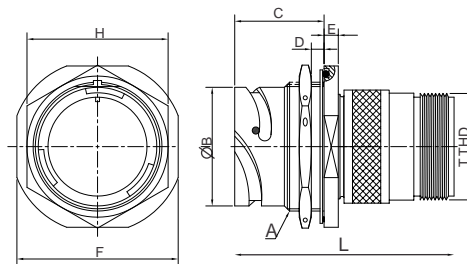
#### 106M



Shell Size	'A' MAX.	'L' MAX.	M THD
10SL	22.80	56.00	M12X1.5
14s	29.20	56.00	M16X1.5
16s	32.00	58.00	M16X1.5
6	32.00	66.00	M16X1.5
18	36.50	74.00	M20X1.5
20	39.90	74.00	M25X1.5
22	43.10	77.00	M25X1.5
24	46.60	77.00	M32X1.5
28	53.40	78.00	M32X1.5
32	60.10	78.00	M36X1.5
36	66.30	90.00	M40X1.5

### Jam Nut Receptacle with A type Solid B/S

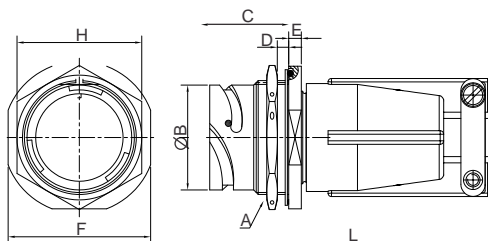
#### 107TA



SHELL SIZE	A -2A THREADS	B +0.0 -0.15	C	D WALL THICKNESS		E	F +0.25	H	L
				MIN	MAX				
10SL	7/8" - 20 UNEF	18.20	24.50	2.40	5.20	4.00	31.80	27.00	52.00
14S	1" 1/8-18 UNEF	24.60	26.80	2.40	7.50	4.80	41.30	33.00	58.00
16S	1" 1/4-18 UNEF	27.40	26.80	2.40	7.50	4.80	44.40	38.10	58.00
16	1" 1/4-18 UNEF	27.40	32.10	2.40	7.50	4.80	44.40	38.10	68.00
18	1" 3/8-18 UNEF	30..80	33.70	2.40	9.00	4.80	47.60	39.70	76.00
20	1" 1/2-18 UNEF	34.20	33.70	2.40	9.00	4.80	50.80	44.00	80.00
22	1" 5/8-18 UNEF	37.40	33.70	2.40	9.10	4.80	54.20	46.00	80.00
24	1" 3/4-18 UNS	40.90	33.70	2.40	9.10	4.80	57.20	50.80	82.00
28	2" - 18 UNS	46.70	35.20	2.40	8.50	5.60	63.50	55.00	84.00
32	2" 1/4-16 UN	53.40	35.20	2.40	6.50	5.60	69.80	62.00	85.00
36	2" 1/2-16 UN	59.60	35.20	2.40	8.30	5.60	76.20	71.00	85.00

### Jam Nut Receptacle with F type Strain Relief B/S with Environmental sealing Grommet

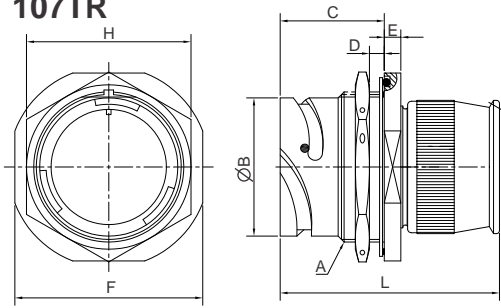
#### 107TF



SHELL SIZE	A -2A THREADS	B +0.0 -0.15	C	D WALL THICKNESS		E	F +0.25	H	L
				MIN	MAX				
10SL	7/8" - 20 UNEF	18.20	24.50	2.40	5.20	4.00	31.80	27.00	69.00
14S	1" 1/8-18 UNEF	24.60	26.80	2.40	7.50	4.80	41.30	33.00	72.00
16S	1" 1/4-18 UNEF	27.40	26.80	2.40	7.50	4.80	44.40	38.10	72.00
16	1" 1/4-18 UNEF	27.40	32.10	2.40	7.50	4.80	44.40	38.10	83.00
18	1" 3/8-18 UNEF	30..80	33.70	2.40	9.00	4.80	47.60	39.70	87.00
20	1" 1/2-18 UNEF	34.20	33.70	2.40	9.00	4.80	50.80	44.00	89.00
22	1" 5/8-18 UNEF	37.40	33.70	2.40	9.10	4.80	54.20	46.00	89.00
24	1" 3/4-18 UNS	40.90	33.70	2.40	9.10	4.80	57.20	50.80	92.00
28	2" - 18 UNS	46.70	35.20	2.40	8.50	5.60	63.50	55.00	95.00
32	2" 1/4-16 UN	53.40	35.20	2.40	6.50	5.60	69.80	62.00	97.00
36	2" 1/2-16 UN	59.60	35.20	2.40	8.30	5.60	76.20	71.00	97.00

### Jam Nut Receptacle with R type B/S with Environmental sealing Grommet

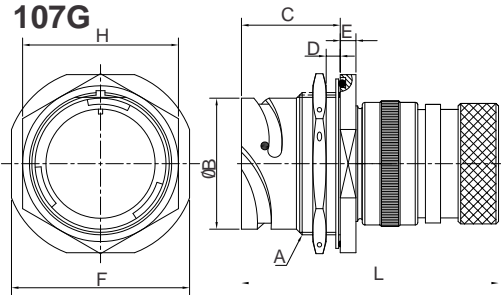
#### 107TR



SHELL SIZE	A -2A THREADS	B +0.0 -0.15	C	D WALL THICKNESS		E	F +0.25	H	L
				MIN	MAX				
10SL	7/8" - 20 UNEF	18.20	24.50	2.40	5.20	4.00	31.80	27.00	56.00
14S	1" 1/8-18 UNEF	24.60	26.80	2.40	7.50	4.80	41.30	33.00	59.00
16S	1" 1/4-18 UNEF	27.40	26.80	2.40	7.50	4.80	44.40	38.10	70.00
16	1" 1/4-18 UNEF	27.40	32.10	2.40	7.50	4.80	44.40	38.10	72.00
18	1" 3/8-18 UNEF	30..80	33.70	2.40	9.00	4.80	47.60	39.70	72.00
20	1" 1/2-18 UNEF	34.20	33.70	2.40	9.00	4.80	50.80	44.00	72.00
22	1" 5/8-18 UNEF	37.40	33.70	2.40	9.10	4.80	54.20	46.00	72.00
24	1" 3/4-18 UNS	40.90	33.70	2.40	9.10	4.80	57.20	50.80	72.00
28	2" - 18 UNS	46.70	35.20	2.40	8.50	5.60	63.50	55.00	74.00
32	2" 1/4-16 UN	53.40	35.20	2.40	6.50	5.60	69.80	62.00	74.00
36	2" 1/2-16 UN	59.60	35.20	2.40	8.30	5.60	76.20	71.00	74.00

### Jam Nut Receptacle with G type B/S for Heat shrinkable & Environmental sealing Grommet

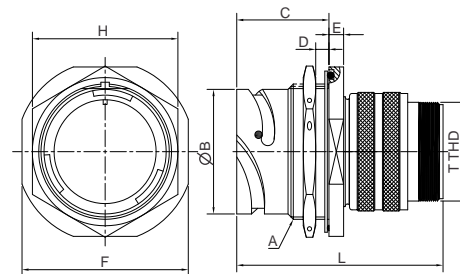
#### 107G



Shell Size	'A' -2A Threads	'B' +0.00 -0.15	'C'	D Wall Thickness		E	F +0.25	H	L
				MIN.	MAX.				
10SL	7/8"-20UNEF	18.20	24.50	2.40	5.20	4.00	31.80	27.00	61.00
14S	1" 1/8-18UNEF	24.60	26.80	2.40	7.50	4.80	41.30	33.00	66.00
16S	1" 1/4-18UNEF	27.40	26.80	2.40	7.50	4.80	44.40	38.10	66.00
16	1" 1/4-18UNEF	27.40	32.10	2.40	7.50	4.80	44.40	38.10	76.00
18	1" 3/8-18UNEF	30.80	33.70	2.40	9.00	4.80	47.60	39.70	78.00
20	1" 1/2-18UNEF	34.20	33.70	2.40	9.00	4.80	50.80	44.00	79.00
22	1" 5/8-18UNEF	37.40	33.70	2.40	9.10	4.80	54.20	46.00	81.00
24	1" 3/4-18UNS	40.90	33.70	2.40	9.10	4.80	57.20	50.80	79.00
28	2"-18UNS	46.70	35.20	2.40	8.50	5.60	63.50	55.00	82.00
32	2" 1/4-16UN	53.40	35.20	2.40	6.50	5.60	69.80	62.00	85.00
36	2" 1/2-16UN	59.60	35.20	2.40	8.30	5.60	76.20	71.00	90.00

### Jam Nut Receptacle with AG type B/S for heat shrinkable & Environmental sealing Grommet

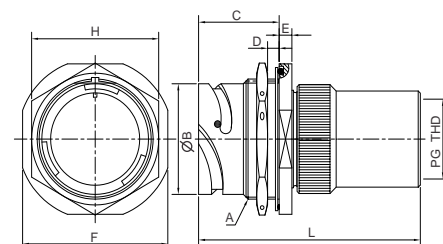
#### 107AG



SHELL SIZE	A -2A THREADS	B +0.0 -0.15	C	D WALL THICKNESS		E	F +0.25	H	L
				MIN	MAX				
10SL	7/8" - 20 UNEF	18.20	24.50	2.40	5.20	4.00	31.80	27.00	77.00
14S	1" 1/8-18 UNEF	24.60	26.80	2.40	7.50	4.80	41.30	33.00	80.00
16S	1" 1/4-18 UNEF	27.40	26.80	2.40	7.50	4.80	44.40	38.10	80.00
16	1" 1/4-18 UNEF	27.40	32.10	2.40	7.50	4.80	44.40	38.10	90.00
18	1" 3/8-18 UNEF	30..80	33.70	2.40	9.00	4.80	47.60	39.70	92.00
20	1" 1/2-18 UNEF	34.20	33.70	2.40	9.00	4.80	50.80	44.00	92.00
22	1" 5/8-18 UNEF	37.40	33.70	2.40	9.10	4.80	54.20	46.00	92.00
24	1" 3/4-18 UNS	40.90	33.70	2.40	9.10	4.80	57.20	50.80	92.00
28	2" - 18 UNS	46.70	35.20	2.40	8.50	5.60	63.50	55.00	94.00
32	2" 1/4-16 UN	53.40	35.20	2.40	6.50	5.60	69.80	62.00	94.00
36	2" 1/2-16 UN	59.60	35.20	2.40	8.30	5.60	76.20	71.00	94.00

### Jam Nut Receptacle with PG threaded type B/S suitable for PG Glands

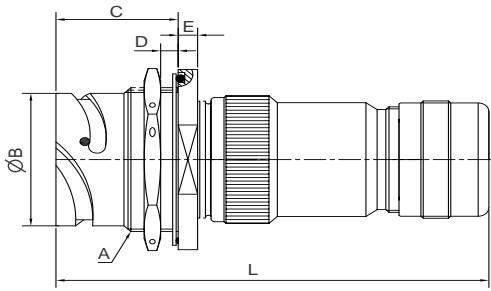
#### 107TPG



SHELL SIZE	A -2A THREADS	B +0.0 -0.15	C	D WALL THICKNESS		E	F +0.25	H	L	PG THD
				MIN	MAX					
10SL	7/8" - 20 UNEF	18.20	24.50	2.40	5.20	4.00	31.80	27.00	64.60	7, 9,11
14S	1" 1/8-18 UNEF	24.60	26.80	2.40	7.50	4.80	41.30	33.00	68.00	11,13,5
16S	1" 1/4-18 UNEF	27.40	26.80	2.40	7.50	4.80	44.40	38.10	70.00	9,11,16
16	1" 1/4-18 UNEF	27.40	32.10	2.40	7.50	4.80	44.40	38.10	81.00	9,11,16
18	1" 3/8-18 UNEF	30..80	33.70	2.40	9.00	4.80	47.60	39.70	89.00	9,11,16,21
20	1" 1/2-18 UNEF	34.20	33.70	2.40	9.00	4.80	50.80	44.00	90.00	11,16,21
22	1" 5/8-18 UNEF	37.40	33.70	2.40	9.10	4.80	54.20	46.00	93.00	13,5,16,21
24	1" 3/4-18 UNS	40.90	33.70	2.40	9.10	4.80	57.20	50.80	91.00	13,5,16,21
28	2" - 18 UNS	46.70	35.20	2.40	8.50	5.60	63.50	55.00	95.00	16,21,29
32	2" 1/4-16 UN	53.40	35.20	2.40	6.50	5.60	69.80	62.00	94.00	21,29
36	2" 1/2-16 UN	59.60	35.20	2.40	8.30	5.60	76.20	71.00	105.00	21,29,36

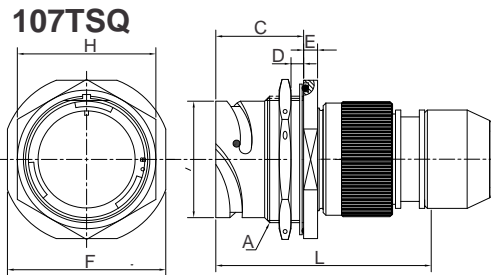


### Jam Nut Receptacle with EGM B/S for shielded cable & PHM B/S Unshielded cable with sealing rubber bush 107TEGM/PHM



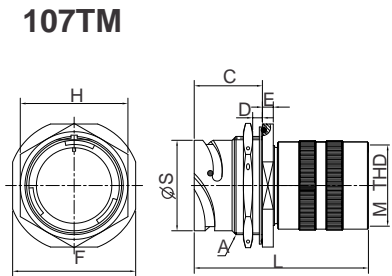
SHELL SIZE	A -2A THREADS	B +0.0 -0.15	C	D WALL THICKNESS		E	F +0.25	H	L
				MIN	MAX				
10SL	7/8" - 20 UNEF	18.20	24.50	2.40	5.20	4.00	31.80	27.00	104.20
14S	1" 1/8-18 UNEF	24.60	26.80	2.40	7.50	4.80	41.30	33.00	107.00
16S	1" 1/4-18 UNEF	27.40	26.80	2.40	7.50	4.80	44.40	38.10	107.00
16	1" 1/4- 18 UNEF	27.40	32.10	2.40	7.50	4.80	44.40	38.10	107.00
18	1" 3/8- 18 UNEF	30.80	33.70	2.40	9.00	4.80	47.60	39.70	118.00
20	1" 1/2- 18 UNEF	34.20	33.70	2.40	9.00	4.80	50.80	44.00	118.00
22	1" 5/8- 18 UNEF	37.40	33.70	2.40	9.10	4.80	54.20	46.00	118.00
24	1" 3/4- 18 UNS	40.90	33.70	2.40	9.10	4.80	57.20	50.80	118.00
28	2" - 18 UNS	46.70	35.20	2.40	8.50	5.60	63.50	55.00	120.00
32	2" 1/4- 16 UN	53.40	35.20	2.40	6.50	5.60	69.80	62.00	120.00
36	2" 1/2- 16 UN	59.60	35.20	2.40	8.30	5.60	76.20	71.00	120.00

### Jam Nut Receptacle with SQ type Shielded B/S & Environmental sealing Grommet & Heat Shrinkable Option 107TSQ



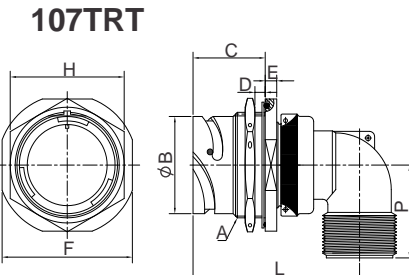
SHELL SIZE	A -2A THREADS	B +0.0 -0.15	C	D WALL THICKNESS		E	F +0.25	H	L
				MIN	MAX				
10SL	7/8" - 20 UNEF	18.20	24.50	2.40	5.20	4.00	31.80	27.00	66.00
14S	1" 1/8-18 UNEF	24.60	26.80	2.40	7.50	4.80	41.30	33.00	70.20
16S	1" 1/4-18 UNEF	27.40	26.80	2.40	7.50	4.80	44.40	38.10	70.20
16	1" 1/4- 18 UNEF	27.40	32.10	2.40	7.50	4.80	44.40	38.10	80.00
18	1" 3/8- 18 UNEF	30.80	33.70	2.40	9.00	4.80	47.60	39.70	81.00
20	1" 1/2- 18 UNEF	34.20	33.70	2.40	9.00	4.80	50.80	44.00	81.00
22	1" 5/8- 18 UNEF	37.40	33.70	2.40	9.10	4.80	54.20	46.00	82.00
24	1" 3/4- 18 UNS	40.90	33.70	2.40	9.10	4.80	57.20	50.80	82.00
28	2" - 18 UNS	46.70	35.20	2.40	8.50	5.60	63.50	55.00	84.00
32	2" 1/4- 16 UN	53.40	35.20	2.40	6.50	5.60	69.80	62.00	84.00
36	2" 1/2- 16 UN	59.60	35.20	2.40	8.30	5.60	76.20	71.00	84.00

### Jam Nut Receptacle with Metric threaded type B/S suitable for Metric Glands 107TM



SHELL SIZE	A -2A THREADS	B +0.0 -0.15	C	D WALL THICKNESS		E	F +0.25	H	L	M THD
				MIN	MAX					
10SL	7/8" - 20 UNEF	18.20	24.50	2.40	5.20	4.00	31.80	27.00	66.00	M12X1.5
14S	1" 1/8-18 UNEF	24.60	26.80	2.40	7.50	4.80	41.30	33.00	70.20	M16X1.5
16S	1" 1/4-18 UNEF	27.40	26.80	2.40	7.50	4.80	44.40	38.10	70.20	M16X1.5
16	1" 1/4- 18 UNEF	27.40	32.10	2.40	7.50	4.80	44.40	38.10	80.00	M16X1.5
18	1" 3/8- 18 UNEF	30.80	33.70	2.40	9.00	4.80	47.60	39.70	81.00	M20X1.5
20	1" 1/2- 18 UNEF	34.20	33.70	2.40	9.00	4.80	50.80	44.00	81.00	M25X1.5
22	1" 5/8- 18 UNEF	37.40	33.70	2.40	9.10	4.80	54.20	46.00	82.00	M25X1.5
24	1" 3/4- 18 UNS	40.90	33.70	2.40	9.10	4.80	57.20	50.80	82.00	M32X1.5
28	2" - 18 UNS	46.70	35.20	2.40	8.50	5.60	63.50	55.00	84.00	M32X1.5
32	2" 1/4- 16 UN	53.40	35.20	2.40	6.50	5.60	69.80	62.00	84.00	M36X1.5
36	2" 1/2- 16 UN	59.60	35.20	2.40	8.30	5.60	76.20	71.00	84.00	M40X1.5

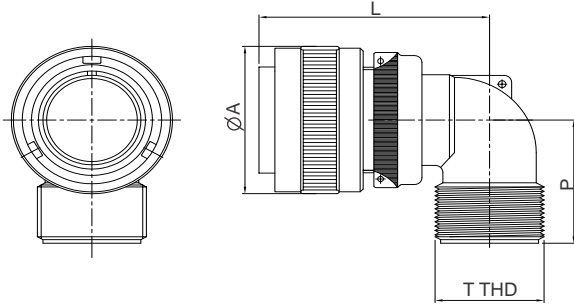
### Jam Nut Receptacle with 90° B/S & Environmental sealing Grommet 107TRT



SHELL SIZE	A -2A THREADS	B +0.0 -0.15	C	D WALL THICKNESS		E	F +0.25	H	L	'P' MAX.
				MIN	MAX					
10SL	7/8" - 20 UNEF	18.20	24.50	2.40	5.20	4.00	31.80	27.00	49.00	21.50
14S	1" 1/8-18 UNEF	24.60	26.80	2.40	7.50	4.80	41.30	33.00	54.00	23.00
16S	1" 1/4-18 UNEF	27.40	26.80	2.40	7.50	4.80	44.40	38.10	57.00	24.60
16	1" 1/4- 18 UNEF	27.40	32.10	2.40	7.50	4.80	44.40	38.10	66.00	24.60
18	1" 3/8- 18 UNEF	30.80	33.70	2.40	9.00	4.80	47.60	39.70	69.00	27.00
20	1" 1/2- 18 UNEF	34.20	33.70	2.40	9.00	4.80	50.80	44.00	75.00	29.00
22	1" 5/8- 18 UNEF	37.40	33.70	2.40	9.10	4.80	54.20	46.00	75.00	31.00
24	1" 3/4- 18 UNS	40.90	33.70	2.40	9.10	4.80	57.20	50.80	77.00	34.00
28	2" - 18 UNS	46.70	35.20	2.40	8.50	5.60	63.50	55.00	80.00	36.00
32	2" 1/4- 16 UN	53.40	35.20	2.40	6.50	5.60	69.80	62.00	84.00	44.00
36	2" 1/2- 16 UN	59.60	35.20	2.40	8.30	5.60	76.20	71.00	87.00	46.00

## 90° Plug Connector

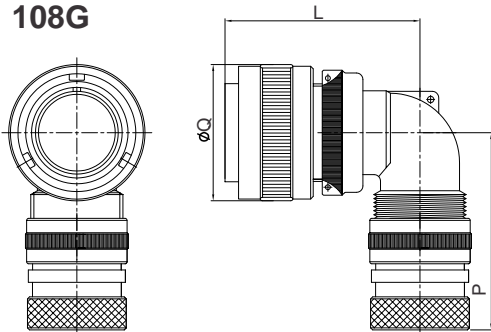
108A=Supplied without grommet  
108R=Supplied with grommet



SHELL SIZE	'A' MAX.	'L' MAX.	'P' MAX.	'T' THD
10SL	22.80	41.00	21.50	5/8-24 UNEF
12S	25.60	41.00	21.50	5/8-24 UNEF
14S	29.20	41.00	23.00	3/4-20 UNEF
16S	32.00	43.00	24.60	7/8-20 UNEF
16	32.00	53.00	24.60	7/8-20 UNEF
18	36.50	55.00	27.00	1-20 UNEF
20	39.90	60.00	29.00	1 3/16-18 UNEF
22	43.10	60.00	31.00	1 3/16-18 UNEF
24	46.60	64.00	34.00	1 7/16-18 UNEF
28	53.40	64.00	36.00	1 7/16-18 UNEF
32	60.10	70.00	44.00	1 3/4-18 UNS
36	66.30	74.00	46.00	2-18 UNS

## 90° Plug connector with G type B/S for Heat Shrinkable & Environmental sealing Grommet

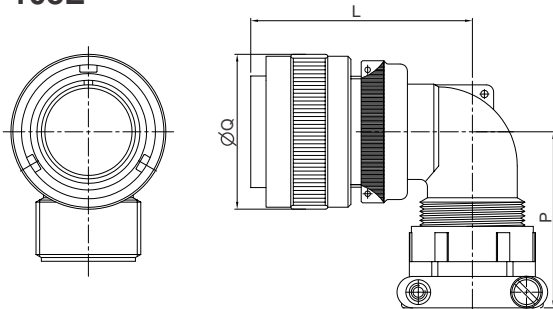
### 108G



SHELL SIZE	'A' MAX	'L' MAX	'P' MAX
10SL	22.80	41.00	46.00
12S	25.60	41.00	46.20
14S	29.20	41.00	50.00
16S	32.00	43.00	52.00
16	32.00	53.00	52.00
18	36.50	55.00	55.00
20	39.90	60.00	58.00
22	43.10	60.00	62.00
24	46.60	64.00	63.00
28	53.40	64.00	65.00
32	60.10	76.00	76.00

## 90° Plug connector with Strain Relief B/S & Environmental sealing Grommet

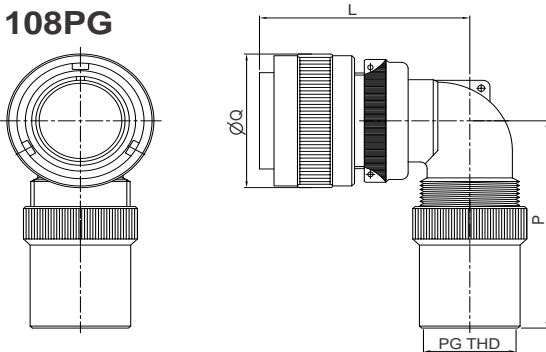
### 108E



SHELL SIZE	'A' MAX.	'L' MAX.	'P' MAX.
10SL	22.80	41.00	38.00
12S	25.60	41.00	40.00
14S	29.20	43.00	41.00
16S	32.00	53.00	45.00
16	32.00	55.00	45.00
18	36.50	60.00	48.00
20	39.90	60.00	50.00
22	46.10	64.00	52.00
24	46.60	64.00	56.00
28	53.40	70.00	58.00
32	60.10	70.00	68.00
36	36.30	74.00	70.00

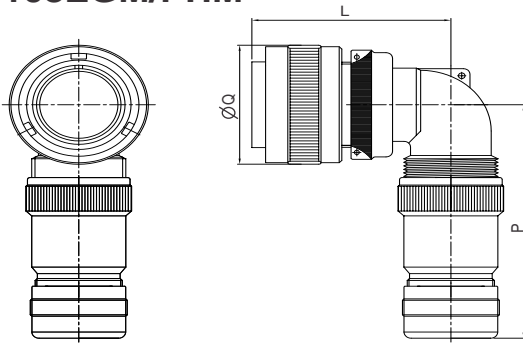
## 90° Plug connector with PG threaded type B/S suitable for PG Glands

### 108PG



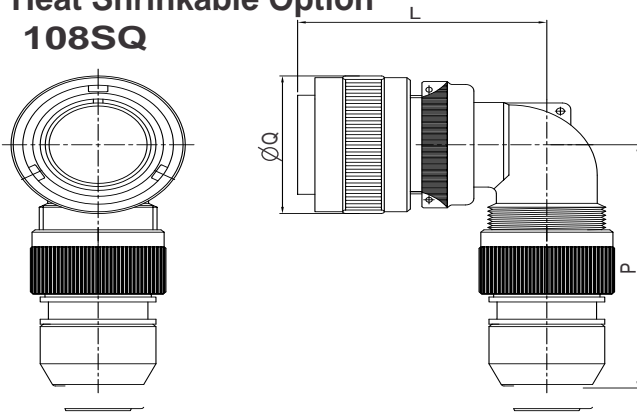
SHELL SIZE	'A' MAX.	'L' MAX.	'P' MAX.	PG THD
10SL	22.80	41.00	50.00	7, 9, 11
12S	25.60	41.00	50.00	7, 9, 11
14S	29.20	41.00	52.00	11, 13.5
16S	32.00	43.00	55.00	9, 11, 16
16	32.00	53.00	57.00	9, 11, 16
18	36.50	55.00	67.00	9, 11, 16, 21
20	39.90	60.00	69.00	11, 16, 21
22	43.10	60.00	74.00	13.5, 16, 21
24	46.60	64.00	75.00	13.5, 16, 21, 29
28	53.40	64.00	78.00	16, 21, 29
32	60.10	70.00	85.00	21, 29
36	66.30	74.00	98.00	21, 29, 36

## 90° Plug connector with EGM B/S for shielded cable & PHM B/S Unshielded cable with sealing rubber bush 108EGM/PHM



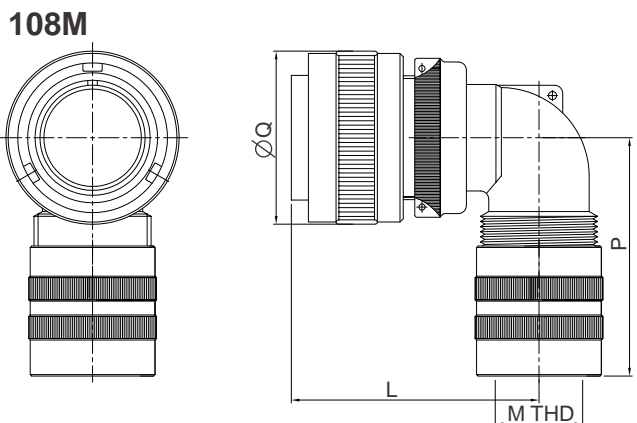
SHELL SIZE	'A' MAX.	'L' MAX.	'P' MAX.
10SL	22.80	41.00	91.00
12S	25.60	41.00	91.00
14S	29.20	41.00	91.00
16S	32.00	43.00	93.00
16	32.00	53.00	93.00
18	36.50	55.00	95.00
20	39.90	60.00	97.00
22	43.10	60.00	99.00
24	46.60	64.00	102.00
28	53.40	64.00	103.00
32	60.10	70.00	111.00
36	66.30	74.00	113.00

## 90° Plug connector with SQ type Shielded B/S & Environmental sealing Grommet & Heat Shrinkable Option 108SQ



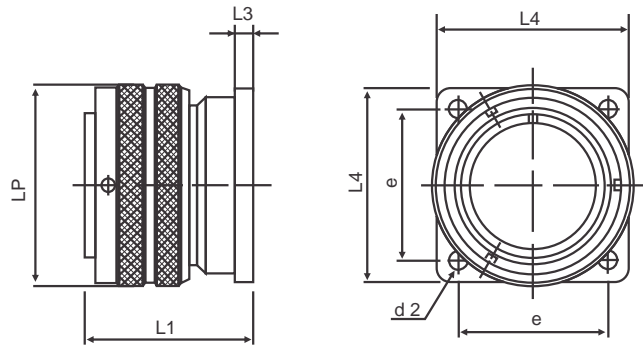
SHELL SIZE	'A' MAX.	'L' MAX.	'P' MAX.
10SL	22.80	41.00	49.00
12S	25.60	41.00	51.00
14S	29.20	41.00	55.00
16S	32.00	43.00	56.00
16	32.00	53.00	56.00
18	36.50	55.00	59.00
20	39.90	60.00	60.00
22	43.10	60.00	63.00
24	46.60	64.00	66.00
28	53.40	64.00	67.00
32	60.10	70.00	75.00
36	66.30	74.00	77.00

## 90° Plug connector with Metric threaded type B/S suitable for Metric Glands 108M



Shell Size	'A' MAX.	'L' MAX.	'P' MAX.	M THD
10SL	22.80	41.00	49.50	M12X1.5
14s	29.20	41.00	49.50	M16X1.5
16s	32.00	43.00	49.50	M16X1.5
6	32.00	53.00	52.00	M16X1.5
18	36.50	55.00	63.00	M20X1.5
20	39.90	60.00	65.00	M25X1.5
22	43.10	60.00	67.00	M25X1.5
24	46.60	64.00	73.00	M32X1.5
28	53.40	64.00	75.00	M32X1.5
32	60.10	70.00	85.00	M36X1.5
36	66.30	74.00	98.00	M40X1.5

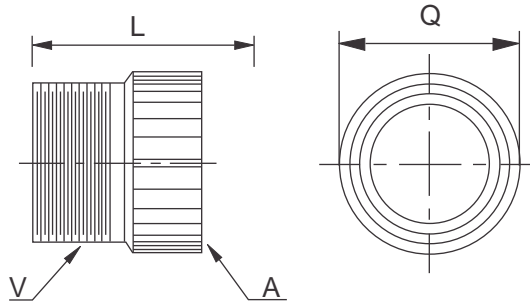
## Panel mounting plug connector 97B - 3164 97B-4164



All dimensions are in mm

Shell Size	d <sub>1</sub> Max	d <sub>2</sub> H13	e ±0.1	l <sub>1</sub> ~	l <sub>3</sub> ±0.2	l <sub>4</sub> ±0.3
10SL	22.8	3.2	18.2	28.1	2.8	25.4
14S	29.2	3.2	23	28.1	3.2	30
16S	32	3.2	24.6	28.1	3.2	32.5
16	32	3.2	24.6	37.6	3.2	32.5
18	36.5	3.2	27	38.6	4	35
20	39.9	3.2	29.4	38.6	4	38
22	43.1	3.2	31.8	38.6	4	41
24	46.6	3.7	34.9	41	4	44.5
28	53.4	3.7	39.7	41.8	4	50.8
32	60.1	4.3	44.5	45	4	57
36	66.3	4.3	49.2	45	4	63.5
40	72.5	4.3	55.5	45	4	69.9

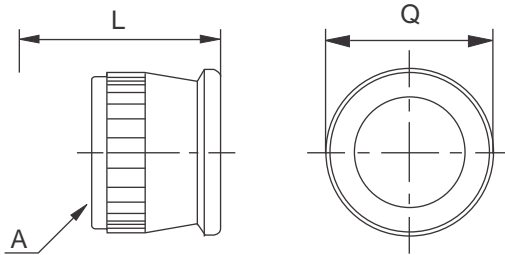
## Solid backshell without grommet and sleeve Class A



All dimensions are in mm

Connector Size	A Thread in inches	L max for MS	L max for 97B	Q max	V Thread in inches
10SL	5/8-24 NEF	32.54	37.60	19.05	5/8-24 UNEF
12S	11/16-24 NEF	37.31	---	19.84	5/8-24 UNEF
12	11/16-24 NEF	46.83	---	19.84	5/8-24 UNEF
14S	3/4-20 UNEF	36.51	37.64	22.22	3/4-20 UNEF
14	3/4-20 UNEF	46.83	---	22.22	3/4-20 UNEF
16S	7/8-20 UNEF	37.70	38.83	25.40	7/8-20 UNEF
16	7/8-20 UNEF	48.02	48.00	25.40	7/8-20 UNEF
18	1-20 UNEF	50.80	51.58	28.57	1-20 UNEF
20	1 1/8-18 NS	53.97	54.75	31.75	1 3/16-18 UNEF
22	1 1/4-18 NEF	53.97	54.75	34.92	1 3/16-18 UNEF
24	1 3/8-18 NEF	57.15	57.94	38.10	1 7/16-18 UNEF
28	1 5/8-18 NEF	57.15	57.94	44.45	1 7/16-18 UNEF
32	1 7/8-16UN	59.0	59.78	51.75	1 3/4-18 UNS
36	2 1/16-16UN	60.32	61.13	57.15	2-18 UNS
40	2 5/16-16 UN	71.80	80.00	63.50	2 1/4 - 16 UN

## Solid Backshell With Grommet & Sleeve Class R



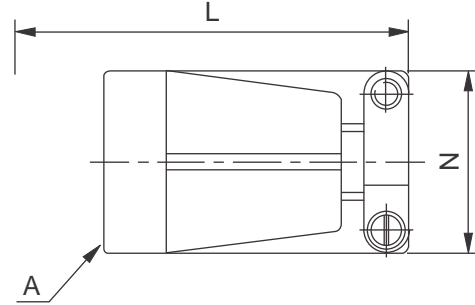
All dimensions are in mm

Connector Size	A Thread class 2B in inches	For Plug type L max for MS	For Receptacle L max for 97B	Q max
10SL	5/8-24 NEF	47	48	21.50
12S	11/16-24 NEF	47	---	20.35
12	11/16-24 NEF	55	---	20.35
14S	3/4-20 UNEF	47	48	23.40
14	3/4-20 UNEF	55	---	23.40
16S	7/8-20 UNEF	47	48	26.71
16	7/8-20 UNEF	55	56	26.71
18	1-20 UNEF	57	57	29.50
20	1 1/8-18 NS	57	57	35.70
22	1 1/4-18 NEF	57	57	35.85
24	1 3/8-18 NEF	57	57	44.40
28	1 5/8-18 NEF	57	57	45.08
32	1 7/8-16UN	58.25	60	52.36
36	2 1/16-16UN	58.25	60	56.81
40	2 5/16-16 UN	58.25	60	64.50

Note - Both versions, straight and diamond knurling available on back accessories. For details, contact factory.

## Back Accessories

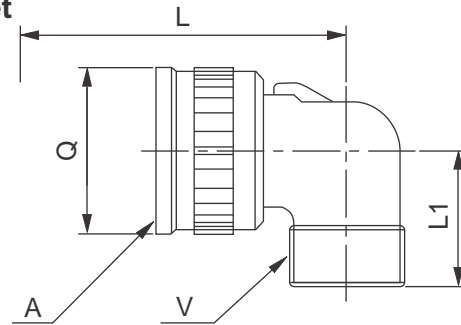
### Strain relief backshell with grommet and sleeve Class E and F



All dimensions are in mm

Connector Size	A Thread class 2B in inches	L max for MS	L max for 97B	N max
10SL	5/8-24 NEF	54.07	59.10	21.97
12S	11/16-24 NEF	54.07	---	21.97
14S	3/4-20 UNEF	55.90	61.34	25.15
16S	7/8-20 UNEF	55.90	62.86	28.45
16	7/8-20 UNEF	64.41		28.45
18	1-20 UNEF	65.94	71.10	30.76
20	1 1/8-18 NS	67.41	72.55	37.29
22	1 1/4-18 NEF	67.41	72.55	37.29
24	1 3/8-18 NEF	73.28	76.82	44.45
28	1 5/8-18 NEF	73.28	77.82	44.45
32	1 7/8-16UN	74.75		52.22
36	2 1/16-16UN	74.75	77.64	57.15
40	2 5/16-16 UN	86.0	125.0	67.10

### Right Angle Backshell With Or Without Grommet Class A, F & R

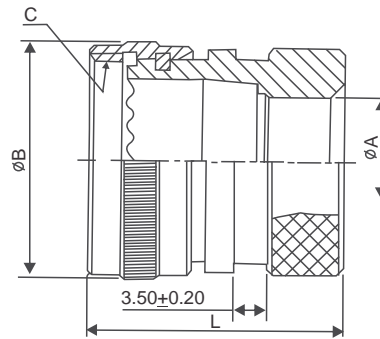


All dimensions are in mm

Connector Size	A Thread class 2B in inches	L max for MS	L max for 97B	L1 max	Q max	V Thread in inches
10SL	5/8-24 NEF	37.60	45.00	25.00	22.22	5/8-24 UNEF
12S	11/16-24 NEF	37.80	---	25.00	25.40	5/8-24 UNEF
12	11/16-24 NEF	47.30	---	25.00	25.40	5/8-24 UNEF
14S	3/4-20 UNEF	39.40	47.00	27.00	28.57	3/4-20 UNEF
14	3/4-20 UNEF	48.90	---	27.00	28.57	3/4-20 UNEF
16S	7/8-20 UNEF	42.60	48.00	28.00	31.75	7/8-20 UNEF
16	7/8-20 UNEF	52.10	57.00	28.00	31.75	7/8-20 UNEF
18	1-20 UNEF	53.70	58.00	31.00	34.13	1-20 UNEF
20	1 1/8-18 NS	58.80	61.00	34.00	37.30	1 3/16-18 UNEF
22	1 1/4-18 NEF	58.80	61.00	34.00	40.48	1 3/16-18 UNEF
24	1 3/8-18 NEF	63.60	66.00	37.00	43.66	1 7/16-18 UNEF
28	1 5/8-18 NEF	63.60	66.00	39.00	50.00	1 7/16-18 UNEF
32	1 7/8-16UN	69.60	72.00	45.00	56.50	1 3/4-18 UNS
36	2 1/16-16UN	72.80	75.00	48.00	62.71	2-18 UNS
40	2 5/16-26 UN	76.00	78.00	55.00	62.71	2 1/4 -16 UN

Note - Both versions, straight and diamond knurling available on back accessories. For details, contact factory.

## Heat Shrink Boot adaptor (G)



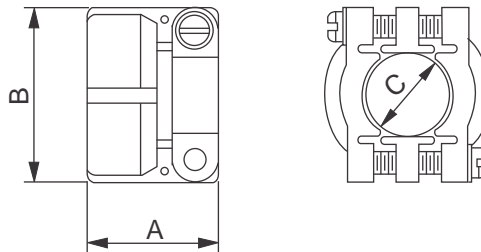
Shell size	A Min.	B	L Max.	C- THD
10SL	7.70	20.30	30.00	5/8-24 NEF
12S	8.20			
14S	10.60	22.30	27.00	3/4-20 UNEF
16S	13.50	24.80	29.50	7/8-20 UNEF
16				
18	14.60	28.50	33.50	1-20 UNEF
20	18.70	34.50		1 1/8-18 NEF
22	20.80	35.10	35.70	1 1/4-18 UNEF
24	24.60	41.00	34.00	1 3/8-18 NEF
28	27.00	44.80	34.10	1 5/8-18 NEF
32	33.30	51.50	34.20	1 7/8-16 UN
36	38.50	56.00	34.20	2 1/16-16 UN
40	48.20	62.00	36.60	2 5/16-16 UN

## Back Accessories

### Cable clamp

#### MS-3057

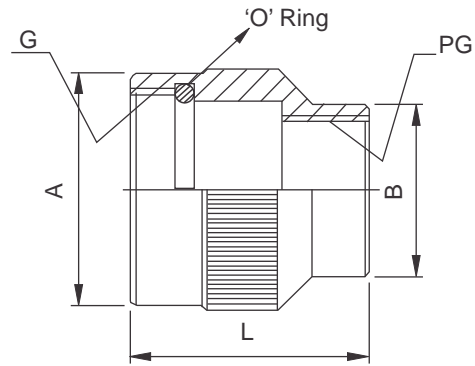
Use MS-3420 sleeves



All dimensions are in mm

Part number	Shell size	Max OD of cable	A	B	C	Thread in inches
MS-3057-4A	10SL, 12S	5.59	20.90	21.39	7.94	5/8-24
MS-3057-6A	14, 14S	7.92	21.59	25.27	11.11	3/4-20
MS-3057-8A	16, 16S	11.10	23.37	28.45	14.29	7/8-20
MS-3057-10A	18	14.27	23.37	30.89	15.87	1-20
MS-3057-12A	20,22	15.87	23.07	35.03	19.50	1 3/16-18
MS-3057-16A	24,28	19.05	25.78	42.75	23.81	1 7/16-18
MS-3057-20A	32	23.80	28.00	51.00	31.70	1 3/4-18
MS-3057-24A	36	31.75	29.36	57.02	34.92	2-18

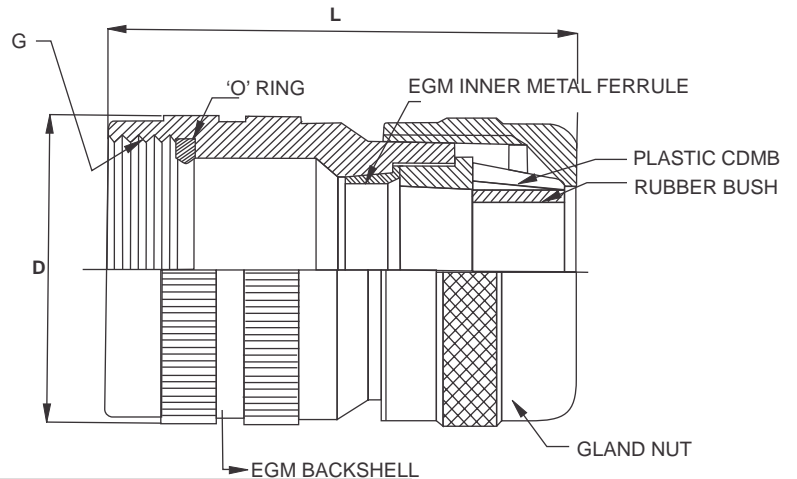
## PG Adaptor



Shell size	G Thread in inches	PG 9			PG 11			PG 13			PG 16			PG 21			PG 29			PG 36			
		A	B	L	A	B	L	A	B	L	A	B	L	A	B	L	A	B	L	A	B	L	
10SL	5/8-24																						
12S	11/16-24																						
14	3/4-20				23	23	30	23	23	30													
16	7/8-20				25	25	30				25	25	30										
18	1-20	30	21	26	30	26	37				30	28	37										
20	1 1/8-18				35	26	40				35	28	40	35	35	40							
22	1 1/4-18										35	28	40	35	35	40							
24	1 3/8-18													38	35	40	40	40	40				
28	1 5/8-18													45	37	45	45	45	45				
36	2 1/8-18																57	44	55	57	57	55	

Ordering Information  
 MS - XX-PGYY  
 Where XX- Shell Size  
 YY-PG-Thread Size

## EGM/PHM Backshell Accessories



Shell size	G Thread in inches	EGM/PHM 11		EGM/PHM 21	
		D	L	D	L
10SL	5/8"-24	25.00	37.00	27.00	41.00
12SL	11/16"-24	25.00	37.00	27.00	41.00
14	3/4"-20	25.00	37.00	27.00	41.00
16	7/8"-20	25.00	40.00	27.00	43.00
18	1"-20	29.00	40.00	31.00	43.00
20	1.1/8"-18	31.50	52.00	33.50	55.00
22	1.1/4"-18	35.00	60.00	35.00	60.00
24	1.3/8"-18	35.00	60.00	35.00	60.00
32	1.29/32"-18	52.00	70.00	52.00	70.00
36	2.1/6"-18	52.00	70.00	52.00	70.00

Note:- Rubber Bush supplied in Packing  
 In case of PHM inner metal Furrele is not required/supplied

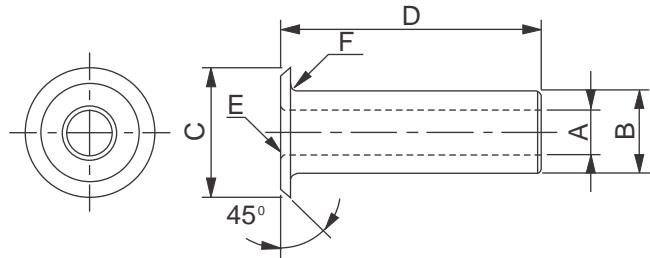
EGM/PHM11 Can accept cable Min. 5.70 mm & Max. 10.85 mm  
 EGM/PHM21 Can accept cable Min. 12.70 mm & Max. 17.85 mm



## Neoprene Sleeve

### MS-3420

Rubber bushing. Protects wire bundles and unjacketed cables from possible damage by cable clamp.

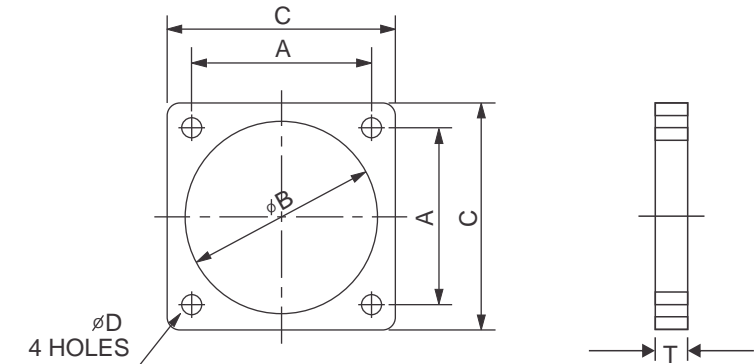


All dimensions are in mm

Part number	A	B	C	D	E Rad in inches	F Rad in inches
MS-3420-3	3.30	5.33	9.50	73.02	0.79	0.79
MS-3420-4	5.59	7.67	12.70	69.85	0.79	0.79
MS-3420-6	7.92	10.84	15.59	66.67	0.79	1.59
MS-3420-8	11.10	14.02	18.77	63.50	1.59	1.59
MS-3420-10	14.27	15.62	21.94	60.32	1.59	1.59
MS-3420-12	15.87	18.80	26.23	56.20	1.59	1.59
MS-3420-16	19.05	23.54	26.39	53.97	1.59	1.59
MS-3420-20	23.80	31.50	40.41	50.80	1.59	1.59
MS-3420-24	31.75	34.67	46.79	47.62	1.59	1.59

## Plain Flat Gasket

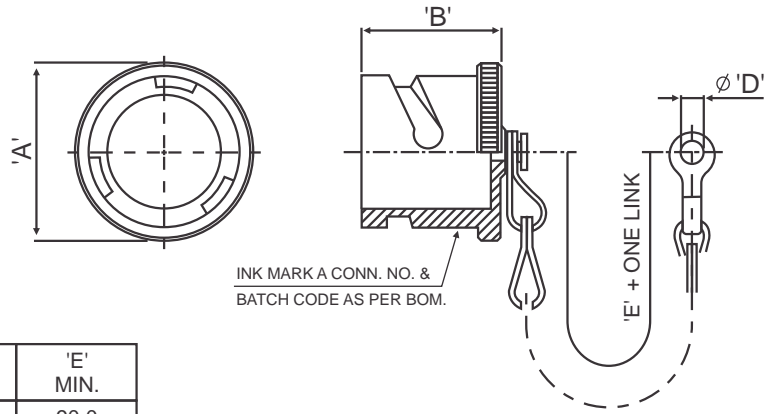
For MS and 97B flange mounted receptacles



All dimensions are in mm

Part number	Shell size	A max	B	C	D	T
MS-101000	10SL	18.26	15.90	25.40	4.35	1.5
MS-108686	12S & 12	20.62	19.05	27.80	4.35	1.5
MS-101001	14S & 14	23.01	22.20	30.15	4.35	1.5
MS-101002	16S & 16	24.61	25.40	32.50	4.35	1.5
MS-101003	18	27.00	28.57	34.90	5.15	1.5
MS-101004	20	29.36	31.75	38.10	5.15	1.5
MS-101005	22	31.75	34.90	41.20	5.15	1.5
MS-108687	24	34.90	38.10	44.45	5.15	1.5
MS-101006	28	39.70	44.45	50.80	5.15	1.5
MS-108688	32	44.45	50.80	57.15	5.55	1.5
MS-101007	36	49.22	55.57	63.50	5.55	1.5
MS-110831	40	55.77	61.92	69.85	5.55	1.5

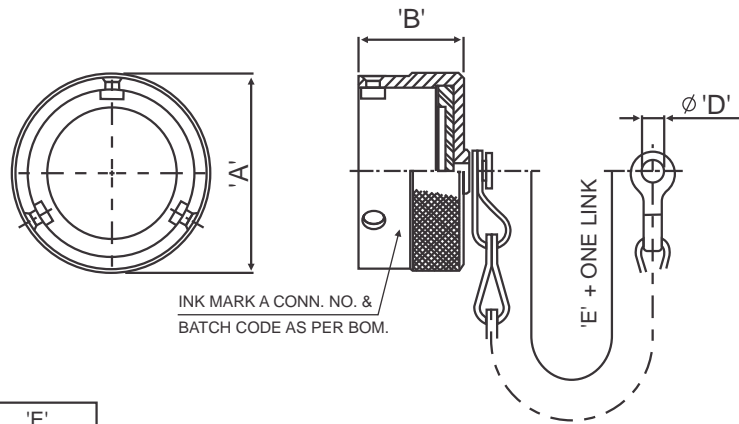
## 97B-25042 For Plugs



All dimensions are in mm

SHELL SIZE	'A' MAX.	'B' MAX.	'D' + 0.60/-0	'E' MIN.
10 SL	21.0	23.50	4.30	90.0
14 S	27.50			100.0
16 S	30.0			115.0
16				
18	33.50	31.50	4.70	130.0
20	37.0			
22	40.0			
24	43.0			
28	49.50			
32	56.0	5.50	190.0	
36	62.50			
40	73.0			

## Protective Cap For 97B series 97B-25043 For Receptacle

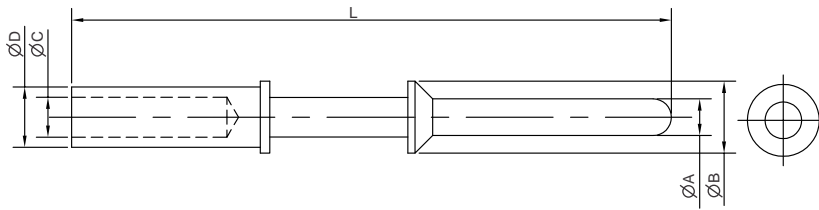


All dimensions are in mm

SHELL SIZE	'A' MAX.	'B' ± 0.20	'D' + 0.60/-0	'E' MIN.
10 SL	23.0	16.0	4.30	90.0
14 S	30.0			100.0
16 S	32.50			115.0
16				
18	37.0	20.70	5.50	160.0
20	40.50			
22	43.50			
24	47.0			
28	54.0			
32	60.50			
36	67.0			
40	73.0			

Note :- Please add 07 suffix for bigger end link. Applicable for Jam Nut

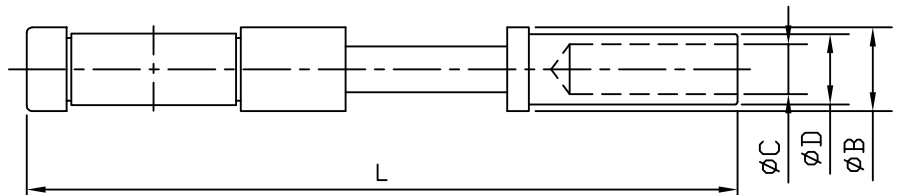
## Pin - Male Crimp Contact



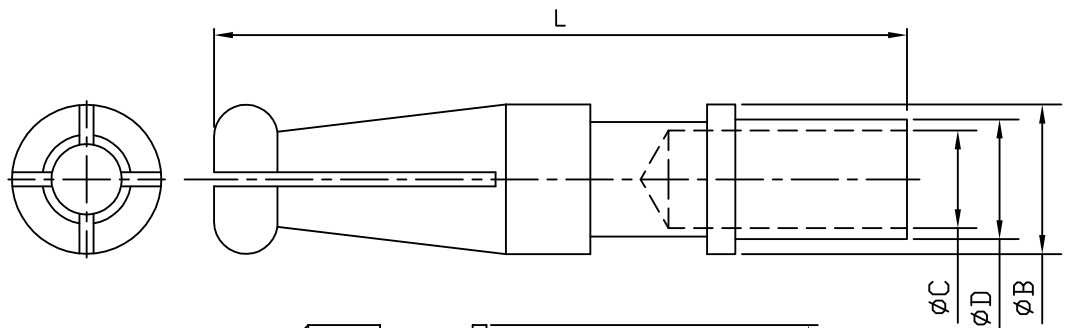
CONTACT PART NO	CONTACT SIZE	'A'	'B'	'C'	'D'	'L'
97B - 106433	16S	1.59	3.10	1.72	2.60	26.00
97B - 108295	16	1.59	3.10	1.72	2.60	30.50
97B - 109388	12	2.39	4.78	2.51	3.96	36.60
97B - 108386	8	3.60	7.85	4.57	6.75	40.70
97B - 108384	4	5.70	11.10	7.15	9.50	40.70
97B - 112067	0	9.05	15.00	11.90	13.90	44.45

## Socket - Female Crimp Contact

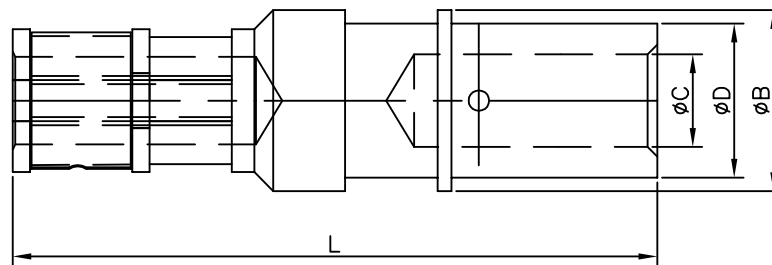
Contact Size 12, 16, 16S



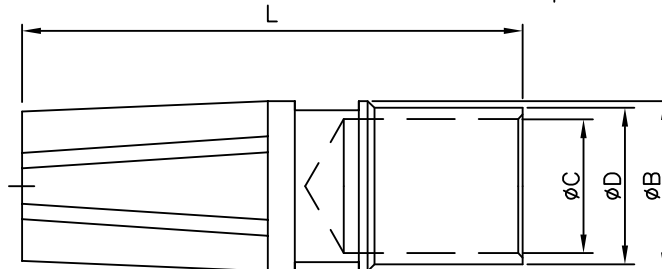
Contact Size 8



Contact Size 4

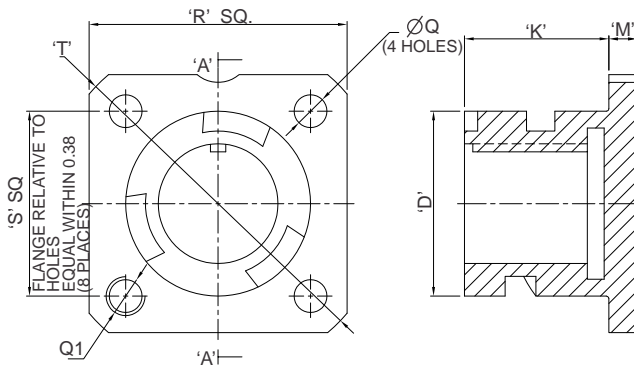


Contact Size 0



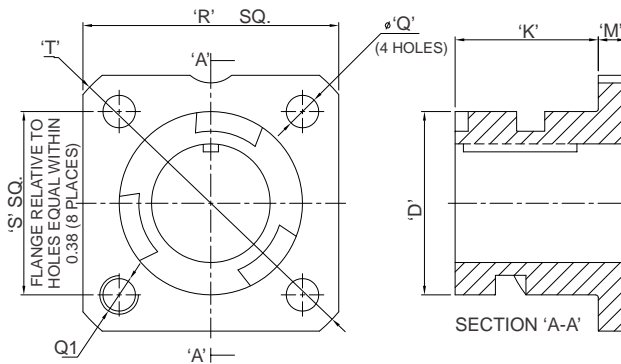
CONTACT PART NO	CONTACT SIZE	'B'	'C'	'D'	'L'
97B - 108456	16S	3.10	1.72	2.60	26.30
97B - 108457	16	3.10	1.72	2.60	34.20
97B - 110262	12	4.78	2.51	3.96	37.00
97B - 108387	8	7.85	4.57	6.75	37.00
97B - 111878	4	11.10	7.15	9.50	40.00
97B - 112068	0	15.00	11.90	13.90	44.45

### Dummy Receptacle Rear Side Closed



SHELL SIZE	oD +0.0 -0.13	'K' +0.38 -0.0	'M' +0.18	Q +0.10 -0.0	Q1	R +0.18 0.20	S +0.13	T +0.23 -0.25
10SL	18.19	14.20	2.79	3.23	M4	25.40	18.21	33.32
12S	21.30		3.20			28.05	20.60	36.20
14S	24.59					30.0	23.01	39.67
16S	27.38		19.0			3.99	32.51	24.61
18	30.78	35.05		27.0	46.02			
20	34.16	38.0		29.39	50.80			
22	37.36	40.99		31.80	53.98			
24	40.87	20.60	3.73	44.45	34.90	60.32		
28	46.68			50.80	39.70	66.68		
32	53.36			57.10	44.50	76.20		
36	59.56			63.50	49.20	84.12		

### Dummy Receptacle Rear Side Open (Hollow)



SHELL SIZE	oD +0.0 -0.13	'K' +0.38 -0.0	'M' +0.18	Q +0.10 -0.0	Q1	R +0.18 0.20	S +0.13	T +0.23 -0.25
10SL	18.19	14.20	2.79	3.23	M4	25.40	18.21	33.32
12S	21.30		3.20			28.05	20.60	36.20
14S	24.59					30.0	23.01	39.67
16S	27.38		19.0			3.99	32.51	24.61
18	30.78	35.05		27.0	46.02			
20	34.16	38.0		29.39	50.80			
22	37.36	40.99		31.80	53.98			
24	40.87	20.60	3.73	44.45	34.90	60.32		
28	46.68			50.80	39.70	66.68		
32	53.36			57.10	44.50	76.20		
36	59.56			63.50	49.20	84.12		

### ORDERING INFO

**97B-3105-XX-CF**

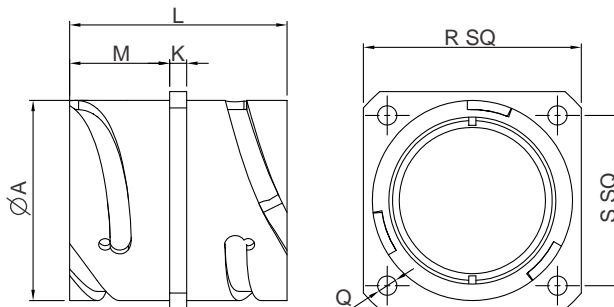
SERIES DESIGNATION

DESIGNATION FOR  
DUMMY RECEPTACLE

CF-CLOSED FLANGE  
HF-HOLLOW FLANGE

SHELL SIZE

### Thru Bulkhead Receptacle



SHELL SIZE	'A' +0.0 -0.15	'K' +0.20	'M' +0.41 -0.0	'R' +0.10	'S' +0.20	'L' MAX.
10SL	18.21	2.79	14.20	18.20	25.40	37.75
12S	21.40	3.20	14.20	20.60	28.00	37.75
14S	24.61	3.20	14.20	23.00	30.00	37.75
16S	27.41	3.20	14.20	24.60	32.50	37.75
18	30.81	3.99	19.00	27.00	35.00	51.40
20	34.19	3.99	19.00	29.40	38.00	51.40
22	37.39	3.99	19.00	31.80	41.00	51.40
24	40.89	3.99	20.60	34.90	44.50	51.40
28	46.71	3.99	20.60	39.70	50.80	51.40
32	53.39	3.99	22.20	44.50	57.00	51.40
36	59.59	3.99	22.20	49.20	63.50	51.40

ORDERING INFO  
**TBH-97BS-XX-YY PS**

THRU BULKHEAD SERIES  
SERIES DESIGNATION

PIN & SOCKET CONTACT  
INSERT ARRANGEMENT

## MS/97B Connector- Accessories

### Crimp contact

Contacts for MS/97B connectors are machined from copper alloys and silver plated for maximum corrosion resistance, with a minimum millivolt drop and a maximum current carrying capacity; the size 16 and 12 socket contacts are of the closed entry design. Gold plated contacts are also available.

Part Number For Crimp Contacts only*	Pin/Socket	Mating End Size	Wire Barrel Size	Allowable Wire size	Test Current*** Amps	Insertion/Removal Tool
MS-106433 MS-108456	Pin Socket	16 Short†	16	16 18 60 22**	13 10 7.5 5	97B-IR-16
MS-108295 MS-108457	Pin Socket	16 Long	16	16 18 20 22**	13 10 7.5 5	97B-IR-16
MS-108388 MS-110262	Pin Socket	12	12	12 14	23 17	97B-IR-12
MS-108386 MS-108387	Pin Socket	8	8	8 10**	46 33	97B-IR-8
MS-108384 MS-111878	Pin Socket	4	4	4 6**	80 60	97B-IR-4
MS-112067 MS-112068	Pin Socket	0	0	0 1 2**	150 125	97B-IR-0

\* Solder contacts are not sold as separate items. Part numbers shown here are for crimp contacts only.

\*\* When using wire adapter sleeve shown.

\*\*\* Contact rating as stated are test ratings only. The connector may not withstand full rated current through all contacts continuously. Please note that the electrical data given is not an establishment of electrical safety factors. This is left entirely in the designer's hands as he can best determine which peak voltage, switching surges, transients, etc. can be expected in a particular circuit.

## MS/97B Connectors

### Application tools

When proprietary crimp contacts are employed rather than the standard MS approved solder contacts, the following application tools are recommended for use. There is a possibility of additional crimping tools other than those included being available at present or in the future for this specific application.

#### TOOLING CHART

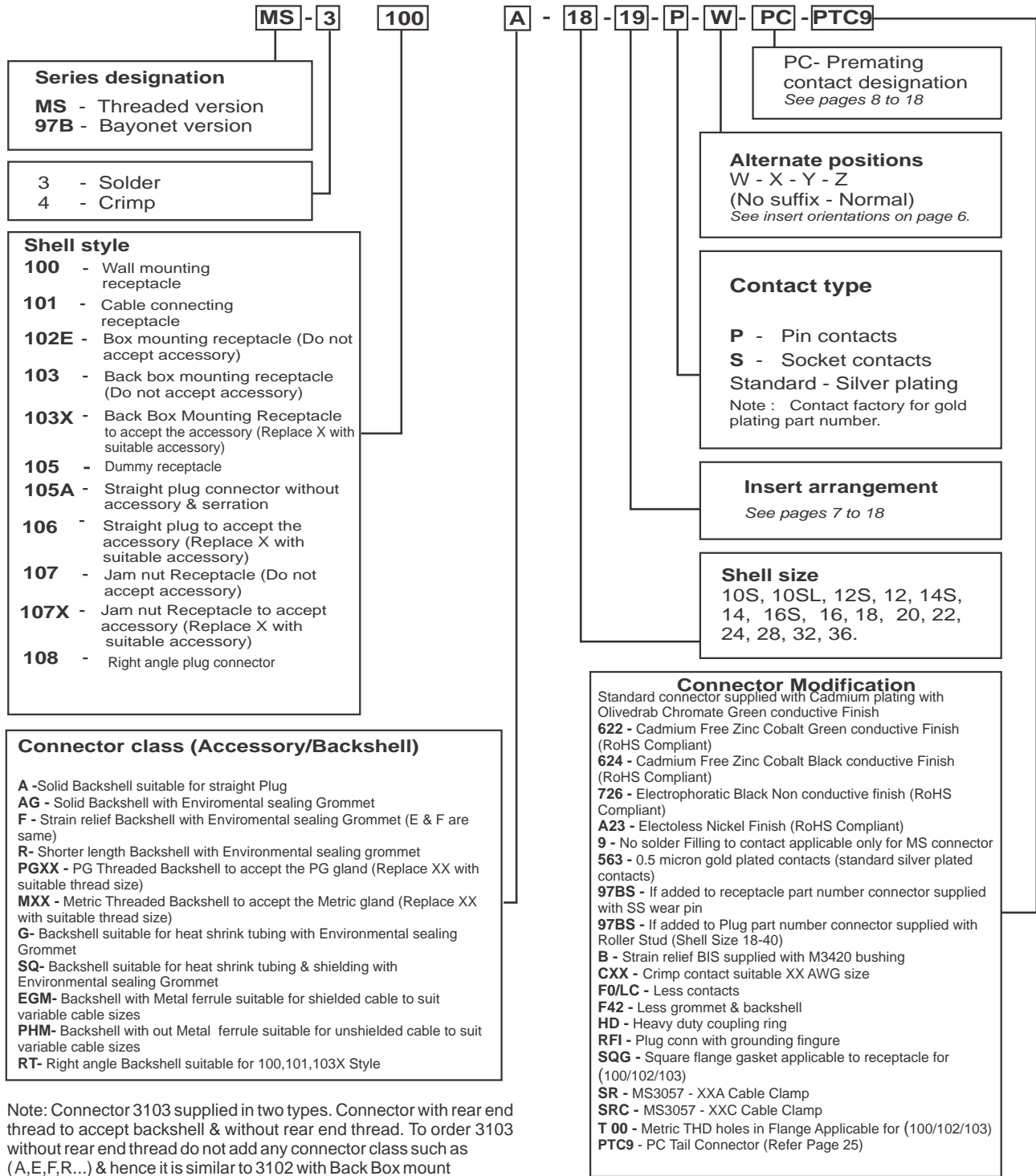
Crimping Tool	Positioner/Turret
M22520/1-01	*
M22520/1-01	*
**	**
**	**
**	**

\* Use Daniels Turret TH29-1 or Astro Tool Co. Turret 616266

\*\* For appropriate crimp tool and positioner refer to Pico Crimping Tool Co.

† Tools used with Arbor Press 11-7364

To obtain the specific connector required, write down the connector number from the typical example below. Only inserts shown in the availability chart shown on page 7 can be specified. Connectors are delivered with protective plastic dust covers. Include pre-mating contact designation only if pre-mating contact is required. The second letter in the pre-mating contact designation stands for the actual contact position. **B** at the end of the connector number indicates telescopic bushing provided.



Notice : All information, including illustrations given herein is believed to be accurate at the time of printing. In lieu of design advances, Amphenol reserves the right to change specifications without notice. This publication ACRMS02 03/13 MS AND 97B Series Connectors supercedes all existing Amphenol literature on MS AND 97 B Series Connectors.

## NORTH AMERICA

### Sales & Product Support

Amphenol PCD  
72 Cherry Hill Drive  
Beverly, MA 01915 USA  
Tel: +1-978-624-3400  
Fax: +1-978-927-1513  
info@amphenolpcd.com  
www.amphenolpcd.com  
www.backshellworld.com

Amphenol Aerospace Operations  
40-60, Delaware Avenue  
Sidney, NY 13838-1395  
Tel: +1-607-563-5011  
Fax: +1-607-563-5357

Amphenol Canada  
Meford Drive  
Scarborough,  
ON M1B 2X6  
Tel: +416-291-4401  
Fax: +416-292-0647

Amphenol Fiber Systems International  
1300 Central Expressway North  
Suite 100 Allen, Texas 75013, USA  
Tel: +1-214-547-2400  
Fax: +1-214-547-9344

## EUROPE

### France

Amphenol Socapex S.A.S.  
948, Promenade de l'Arve  
Bp29, Thyez Cedex  
74311, France  
Tel: +33-4-5089-2800  
Fax: +33-4-5096-1941

### United Kingdom

Amphenol Limited  
Thanet Way, Whitstable  
Kent CT5 3JF, England  
Tel: +44-1227-773-200  
Fax: 44-1227-276-571

### Germany

Amphenol-Air LB GmbH  
Am Kleinbahnhof 4  
Saarlouis  
D-66740, Germany  
Tel: 49-6831-9810-00  
Fax: 49-6831-9810-30

### Italy

Via Barbaiana 5  
20020 Lainate (Milano)  
Italy  
Tel: +39-02-93254.209  
+39-02-93254.214  
Fax: +39-02-93254-444

### Center & East Europe

Amphenol  
Wiener Gasse 68  
2380 Perchtoldsdorf  
Tel: +43-699-10396071  
Fax: +43 699 40396071

Amphenol Air-LB  
Immeuble Le Doublon  
11, Avenue Dobonnet  
Courbevoie-Cedex  
92407, France  
Ph: +33-1-4905-3000  
Fax: +33-1-4905-3043

### Spain

Amphenol Iberica  
Edificio Burgosol Oficina  
N 55 C/Comunidad de  
Madrid 35 bis -  
Las Rozas (Madrid)  
Tel: +34-91-6407302  
+34-91-6407306  
Fax: +34-91-6407307

### Austria

Amphenol Austria  
Wiener Gasse 68  
2380, Erchtoldsdarf,  
Austria  
Tel: + 43-69910396071  
Fax: + 43-69940306071

### Holland

Amphenol Benelux  
Zademaker 121  
NL-2401 PD Alphen  
aan den Rijn Holland  
Tel: +31-172-444903  
Fax: +31-172 240254

### Sweden

Amphenol  
Industrial and Military &  
Aerospace  
Nordic & Baltic  
Military Phone/  
Mobile +46702129200  
Industrial +46 767909560

## ASIA

### India

Amphenol Interconnect India Pvt. Ltd.  
105 Bhosari Industrial Area  
Pune-411026, India  
Tel: +9120-3068-8305  
Fax: +9120-2712-9158

Amphenol Interconnect India Pvt. Ltd.  
61 Electronics City  
Bangalore-560 100, India  
Ph: +9180-2852-3838  
Fax: +9180-2852-0418

### Japan

Amphenol Japan  
471-1, Deba, Ritto City  
Shiga 520-3041, Japan  
Tel: +81-77-553-8501  
Fax: +81-77-551-2200

### Korea

Amphenol Daeshin Electronics  
558 SoSa, SongNae, Bucheon-City  
Kyunggi-Do, Korea 420-130  
Tel: +82-32-610-3800  
Fax: +92-32-673-2507

### Singapore

Amphenol East Asia Ltd.  
72 Bendemeer Road  
# 03-33 Luzerne  
Singapore 339 941  
Tel: 65-6294-2128  
Fax: 65-6294-3522

### China

Amphenol PCD Shenzhen  
3/F Building, A4 Songbai  
Industrial Park  
East Road of Minghuan  
Gongming Town, Baon District  
Shenzhen, China  
Tel: +86-755-8173-8000  
Fax: +86-755-8173-8180

## ROW

### Australia

Amphenol Australia Pty Ltd  
2 Fiveways Boulevard  
Keysborough  
VIC 3173  
Ph: +61-3-8796-8888  
Fax: +61-3-8796-8801

### Africa

Amphenol South Africa  
30 Impala Road  
2196 Sandton-Chistlehurst  
South Africa  
Tel: +27-11-783-9517  
Fax: +27-11-783-9519

### Russia

Amphenol Russia  
8-2 Yaroslavskaja Str  
129164 Moscow, Russia  
Tel: +7-495-937-6341  
Fax: +7-495-937-6319

### Argentina

Amphenol Argentina  
Avenida Callao 930  
2nd Floor, Office B Plaza  
C1023AAP Buenos Aires  
Argentina  
Tel: 54-11-4815-6886  
Fax: 54-11-4814-5779

### Israel

Bar-Tec Ltd.  
P.O. Box 279  
Kfar Sava, 44102 Israel  
Tel: +972-9-7644100  
Fax: +972-9-7674324

### Maslak

34396 Istanbul  
Tel: +90-212-335-2501  
Fax: +90-212-335-2500

### Brazil

Amphenol do Brasil Ltda  
Rua Diogo Moreira 132  
CEP 05423-010  
Sao Paulo-SP, Brazil  
Tel: +55-11-3815-1003  
Fax: +55-11-3815-1629



# Amphenol

*A Global Company*



Pune Operations



Bangalore Operations

# Amphenol

**Interconnect India Pvt. Ltd.**

## Our offices in India:

### MARKETING HEADQUARTERS

105, Bhosari Industrial Area,  
Pune - 411 026.  
Tel.: 91-20-30688303, 30688304  
Fax : 91-20-30688321  
Email : vbhavsar@amphenol-in.com  
sales@amphenol-in.com

### Southern Region

4931, 11th Floor, High Point IV  
45, Palace Road, Bangalore 560 001.  
Tel.: 91-80-22281392, 22281002  
Fax : 91-80-22253859  
Email : kmanoj@amphenol-in.com

### Northern and Eastern Region

1414, 14th Floor, Chiranjiv Tower,  
43, Nehru Place, New Delhi - 110 019.  
Tel. : 91-11-26449177  
Telefax : 91-11-26449176  
Email : sunily@amphenol-in.com

### Export

105, Bhosari Industrial Area,  
Pune - 411 026, India.  
Tel.: 91-20-30688305, 30688353  
Fax : 91-20-27129158  
Email : svpatil@amphenol-in.com

### Western Region

105, Bhosari Industrial Area,  
Pune - 411 026.  
Tel.: 91-20-27119735, 30688334  
Fax: 91-20-27120581, 27119735  
Email : sunilp@amphenol-in.com

### Central Region

107, 1st Floor, 'Am Sri Classic',  
Sarojinidevi Road, Secunderabad - 500 003.  
Telefax : 91-40-66332906  
Email : pprasad@amphenol-in.com



## X-ON Electronics

Largest Supplier of Electrical and Electronic Components

*Click to view similar products for [Circular DIN Connectors](#) category:*

*Click to view products by [Amphenol](#) manufacturer:*

Other Similar products are found below :

[CTV06RQF-25-8SA-LC](#) [CTV06RQF-25-8S-LC](#) [CTV06RQW-25-8SB-LC](#) [CTV06RW-25-20P](#) [CTV06RW-25-20PA](#) [CTV06RW-25-20PB](#)  
[CTV06RW-25-20PE-LC](#) [CTV06RW-25-20SB](#) [CTV06RW-25-20SE](#) [CTV07RW-17-8S\(506\)](#) [CTVP00RW-19-32S\(506\)](#) [CTVP00RW-9-35S\(506\)](#) [M83723/71R20416](#) [M83723/71R22196](#) [M83723/71W2039N](#) [M83723/71W24196](#) [M83723/71W2419N](#) [M83723/72A1404N-LC](#)  
[M83723/72R1203N](#) [M83723/72W20418](#) [M83723/72W22126](#) [M83723/72W22556](#) [M83723/72W2419N](#) [M83723/72W2461N](#)  
[M83723/73R2028N](#) [M83723/73R2039N](#) [M83723/73W1412N](#) [M83723/73W2039N](#) [M83723/74R1624N](#) [M83723/74R1808N](#)  
[M83723/74R2212N](#) [M83723/74W1203N](#) [M83723/74W1412N](#) [M83723/74W20416](#) [M83723/74W2041N](#) [M83723/75R10058](#)  
[M83723/75W2232N](#) [M83723/76R14157](#) [M83723/76R20256](#) [M83723/76W1808N](#) [M83723/76W2016N](#) [M83723/76W2461N](#)  
[M83723/77W2016N](#) [M83723/78R22327](#) [M83723/78W2212N](#) [M83723/78W22556](#) [M85049/50-5F](#) [D38999/20FF11AC](#) [D38999/20FJ20BB](#)  
[D38999/20FJ20SC](#)