

**PRODUCT BRIEF:**

Logic PD :: Texas Instruments  
www.logicpd.com/ti

## DM3730 / AM3703 Torpedo System on Module

**:: SUPPORTED PROCESSORS:**

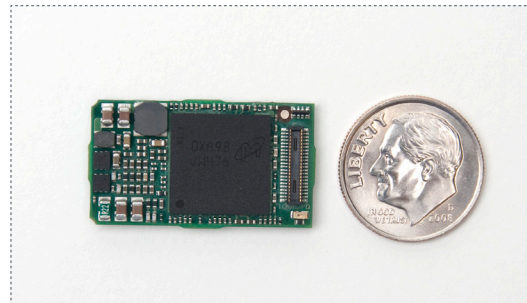
DM3730  
AM3703

**The Torpedo System on Module (SOM) is an ultra-compact form factor based on Texas Instruments' DaVinci™ DM3730 and Sitara™ AM3703 processors.**

The DM3730 Torpedo SOM occupies less than one square inch, but boasts PC-like speeds up to 1 GHz with long battery life. Partnered with such high performance is a startlingly low power consumption of less than 5 mW when in suspend state. This balance of speed and power is accomplished through Logic PD's vast system design experience; understanding the most detailed workings of each component and their interaction with one another creates a product that operates at optimal efficiency.

The DM3730 Torpedo SOM is available in several standard configurations, including TI's Sitara™ AM3703 ARM microprocessor. By remaining footprint compatible with Logic PD's existing OMAP35x Torpedo SOM, the DM3730 Torpedo SOM extends the roadmaps of existing products and provides an upgrade path from today's products to future technologies.

The ultra-compact Torpedo SOM is an ideal off-the-shelf solution for applications in markets where space is a premium. From point-of-care medical devices to hand-held radios to mobile Internet



DM3730 / AM3703 TORPEDO SOM

devices, the Torpedo SOM allows for the powerful versatility and compact designs needed in today's market-changing products.

The Zoom™ DM3730 Torpedo Development Kit includes all of the necessary accessories to immediately begin development, helping customers deliver their products to market sooner.

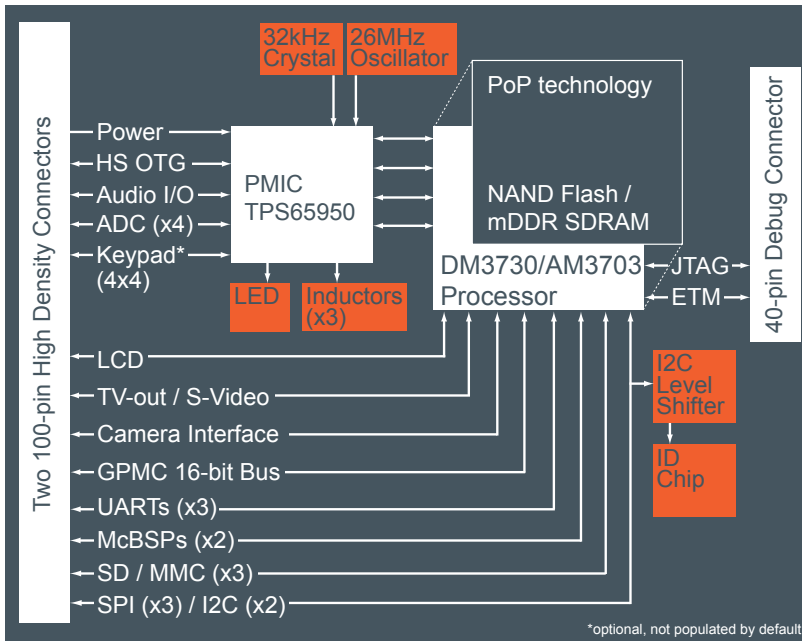
**DM3730 / AM3703 TORPEDO SOM :: HIGHLIGHTS:**

- +Product-ready System on Module with a TI DM3730 or AM3703 ARM® Cortex™-A8 processor running up to 1 GHz
- +Android, Linux™, and Windows® Embedded CE Board Support Packages (BSPs)
- +Commercial temp (0°C to 70°C)  
Industrial temp (-40°C to 85°C)
- +Ultra-compact form factor  
(15 x 27 x 3.8 mm)
- +Footprint compatible with OMAP35x Torpedo SOM
- +Long product lifecycle

**ZOOM™ DM3730 TORPEDO DEVELOPMENT KIT :: FEATURES:**

- +Application baseboard
- +DM3730 Torpedo SOM
- +4.3" WQVGA LCD with 4-wire touchscreen
- +Wattson™ power measurement application
- +Necessary accessories to immediately get up and running
- +See Zoom DM3730 Torpedo Development Kit product brief for more information

## DM3730 / AM3703 Torpedo SOM Block Diagram



(Block diagram is not drawn to scale. For reference purposes only.)

## DM3730 / AM3703 Torpedo SOM Ordering Information

Model Number	Speed (MHz)	SDRAM (MB)	NAND Flash (MB)	Temperature
SOMAM3703-20-1780AGCR	800	256	512	0°C–70°C
SOMDM3730-20-2780AGCR	1000	256	512	0°C–70°C
SOMDM3730-20-1780AGIR	800	256	512	-40°C–85°C

NOTE: Custom configurations are available by special order. Please contact Logic PD Sales for details: [product.sales@logicpd.com](mailto:product.sales@logicpd.com).

## Zoom™ DM3730 Torpedo Development Kit Ordering Information

Model Number	SOM Configuration	Suggested Resale
SDK-DM3730-20-256512R	SOMDM3730-20-2780AGCR	\$997

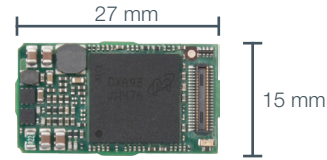


411 N. Washington Ave. Suite 400 Minneapolis, MN 55401  
T : 612.672.9495 F : 612.672.9489 I : [www.logicpd.com](http://www.logicpd.com)

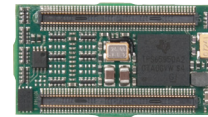
### LOGIC PD WEBSITE :: DESIGN RESOURCES:

- + Logic PD Products : [www.logicpd.com/products](http://www.logicpd.com/products)
- + Logic PD Technical Support : [www.logicpd.com/product-support](http://www.logicpd.com/product-support)
- + For more information contact Logic PD Sales : [product.sales@logicpd.com](mailto:product.sales@logicpd.com)

© 2011 Logic PD, Inc. All rights reserved. PN: 1018060 Rev A



TOP VIEW :: ACTUAL SIZE



BOTTOM VIEW :: ACTUAL SIZE

## Product Features

### Processor

- + TI DaVinci™ DM3730 or Sitara™ AM3703 ARM® Cortex™-A8 core running up to 1 GHz
- + TMS320C64x DSP core running up to 800 MHz (DM3730 only)
- + POWER SGX™ graphics accelerator (DM3730 only)

### Memory

- + Mobile DDR / NAND flash (PoP technology) 256 MB / 512 MB (standard)

### Display

- + Programmable color LCD controller supports up to a 24 bpp TFT interface
- + Hardware supports XGA 1024x768 at 24-bit color
- + TV-out / S-Video interface

### Camera

- + Parallel camera interface

### Audio

- + I2S compliant audio codec (16-bit stereo DAC, 13-bit ADC)

### User Interface

- + Optional 4x4 keypad interface (requires trade-offs with other features)

### PC Card Expansion

- + Multiple SD/MMC card support

### USB

- + One USB 2.0 high-speed On-the-Go interface

### Serial I/O

- + UARTs, SPI, I2C, McBSPs

### GPIO

- + Programmable I/O depending on peripheral requirements
- + General purpose memory controller (GPMC) interface

### Debug

- + 40-pin debug connector on top side of SOM
- + JTAG & ETM support

### Software

- + LogicLoader™ (bootloader/monitor)
- + Android BSP
- + Linux™ BSP
- + Windows® Embedded CE BSP

### Mechanical

- + 15 mm wide x 27 mm long x 3.8 mm high

### RoHS Compliant

## **X-ON Electronics**

Largest Supplier of Electrical and Electronic Components

*Click to view similar products for [logic product development manufacturer](#):*

Other Similar products are found below :

[SOMAM1808-10-1502QHCR](#) [LPD-SOM-CLIP2-THPAD](#)