




## Product information ELST 4408 RV FM 8 05

Industrial Connecting Solutions:Archive - Industrial Connectors:Circular connectors E-series M8 (Archive):with screw locking:Appliance socket and appliance connector for front panel mounting:ELST 4408 RV FM 8 05

<http://www.e-catalog.beldensolutions.com/link/57078-24228-62529-24238-24243-24248-37244/en/conf/ui/state>

Name	ELST 4408 RV FM 8 05
	
	Front-mounting appliance connector with stranded wire, snap or screw locking, M8 x 0.5 mounting thread, metal casing, O-ring included
<b>Delivery informations</b>	
Availability	no longer available
<b>Product description</b>	
Description	Front-mounting appliance connector with stranded wire, snap or screw locking, M8 x 0.5 mounting thread, metal casing, O-ring included
Type	ELST 4408 RV FM 8 05
Order No.	933 147-001
Type of contact	male
Number of contacts	4
Cable material	PVC
Cable length	0.5 m
Conductor size	0.25 mm <sup>2</sup>
Standard	IEC 61076-2-101 (Ed. 1)/ IEC 60947-5-2
Housing Color	metallic
<b>Technical data</b>	
Pin dimensions	1 mm
Wire stranding	14 x 0.15 mm
Rated voltage	AC/DC 30 V
Rated current	3 A
<b>Material</b>	
Contact material	Cu Zn
Contact surface material	Au
Contact bearer material	PA black
Housing material	Cu Zn/Ni
O-Ring	NBR
<b>Environmental conditions</b>	
Protection class (IEC 60529)	IP 67 (with snap locking),
Pollution severity	3
Temperature range	-25 °C to +90 °C
<b>Inflammability class</b>	
Contact bearer	94 V-2
<b>Approvals</b>	
UL	UL
<b>Packing unit</b>	
Packaging unit	100 pieces
<b>Scope of delivery and accessories</b>	
Accessories to order separately	fastening nut ELST M M8, order no. 734 032-001



# HIRSCHMANN

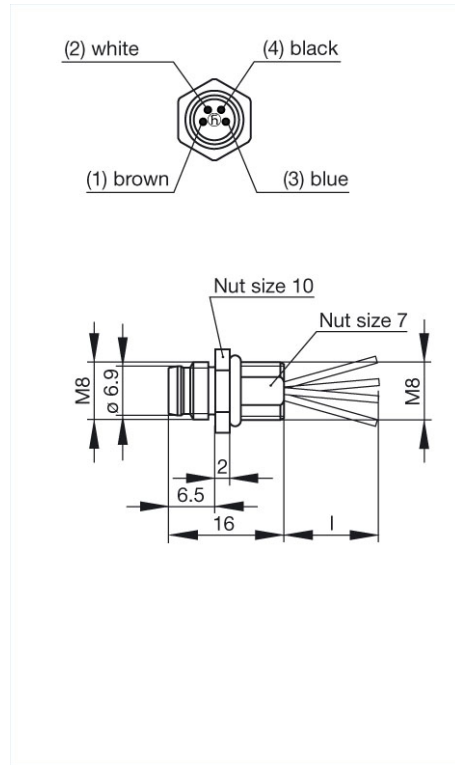
A BELDEN BRAND

Industrial Connecting Solutions:Archive - Industrial Connectors:Circular connectors E-series M8 (Archive);with screw locking:Appliance socket and appliance connector for front panel mounting:ELST  
4408 RV FM 8 05

<http://www.e-catalog.beldensolutions.com/link/57078-24228-62529-24238-24243-24248-37244/en/conf/uistate>

Picture

Drawing



#### Belden Deutschland GmbH

Im Gewerbepark 2  
58579 Schalksmühle  
Germany  
Phone: +49 7127/14-1806  
E-Mail: [icos-sales@belden.com](mailto:icos-sales@belden.com)

The information published in the websites has been compiled as carefully as possible. It is subject to alteration without notice in technical as well as in price-related/commercial respect. The complete information and data were available on user documentation. Mandatory information can only be obtained by a concrete query.

## X-ON Electronics

Largest Supplier of Electrical and Electronic Components

*Click to view similar products for [hirschmann](#) manufacturer:*

Other Similar products are found below :

[931298001 GSP 211 PG11](#) [934828001 BRSCIS 4D/9](#) [AK2B2540I SW](#) [BSB20KRT](#) [BUELA300KSW](#) [BUELA30KBL](#) [BUELA30KGE](#)  
[930011200 MAB 6](#) [AK2BSW](#) [G 30 KW 3 M](#) [BNC-AL0.64](#) [BUELA300KBL](#) [BUELA300KRT](#) [BUELA30KGN](#) [BUELA30KRT](#) [934066788](#)  
[934061103](#) [934059104](#) [972425002](#) [943301-001](#) [934061704](#) [STAK2](#) [AK2B2540I GN](#) [PRUEF1SW](#) [SPIDER-PL-20-05T1999999TZ9HHHH](#)  
[BAT867-RUSW99AU999AT199L999ZHX](#) [930136106](#) [930317804](#) [934066105](#) [934072100](#) [934076103](#) [934086104](#) [934086188](#) [973929000](#)  
[934157101](#) [930014517 MAS 30](#) [934077106](#) [934077105](#) [934064104](#) [932794001](#) [GECKO 4TX](#) [972309101](#) [934100707](#) [975695700](#)  
[975455709](#) [975455701](#) [973528101](#) [MESAP 43650](#) [KLEPS1600SW](#) [932140100 STAK 3 N SCHWARZ](#)