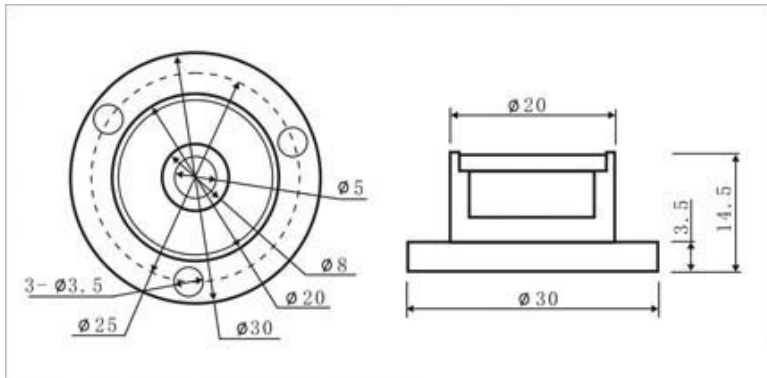


Bulls Eye Level Metal

Specification **Ideal for use on indoor equipment where a high level of finish is Required**

Dimensions: **Overall diameter 30mm**

Specification:



Dimensions: **as above**

Accuracy: **2mm per metre (or upto 18mm per metre at customers request) ?**

X-ON Electronics

Largest Supplier of Electrical and Electronic Components

Click to view similar products for [saame manufacturer](#):

Other Similar products are found below :

[59-620-007](#) [59-600-010](#) [51-700-025](#) [51-700-030](#)