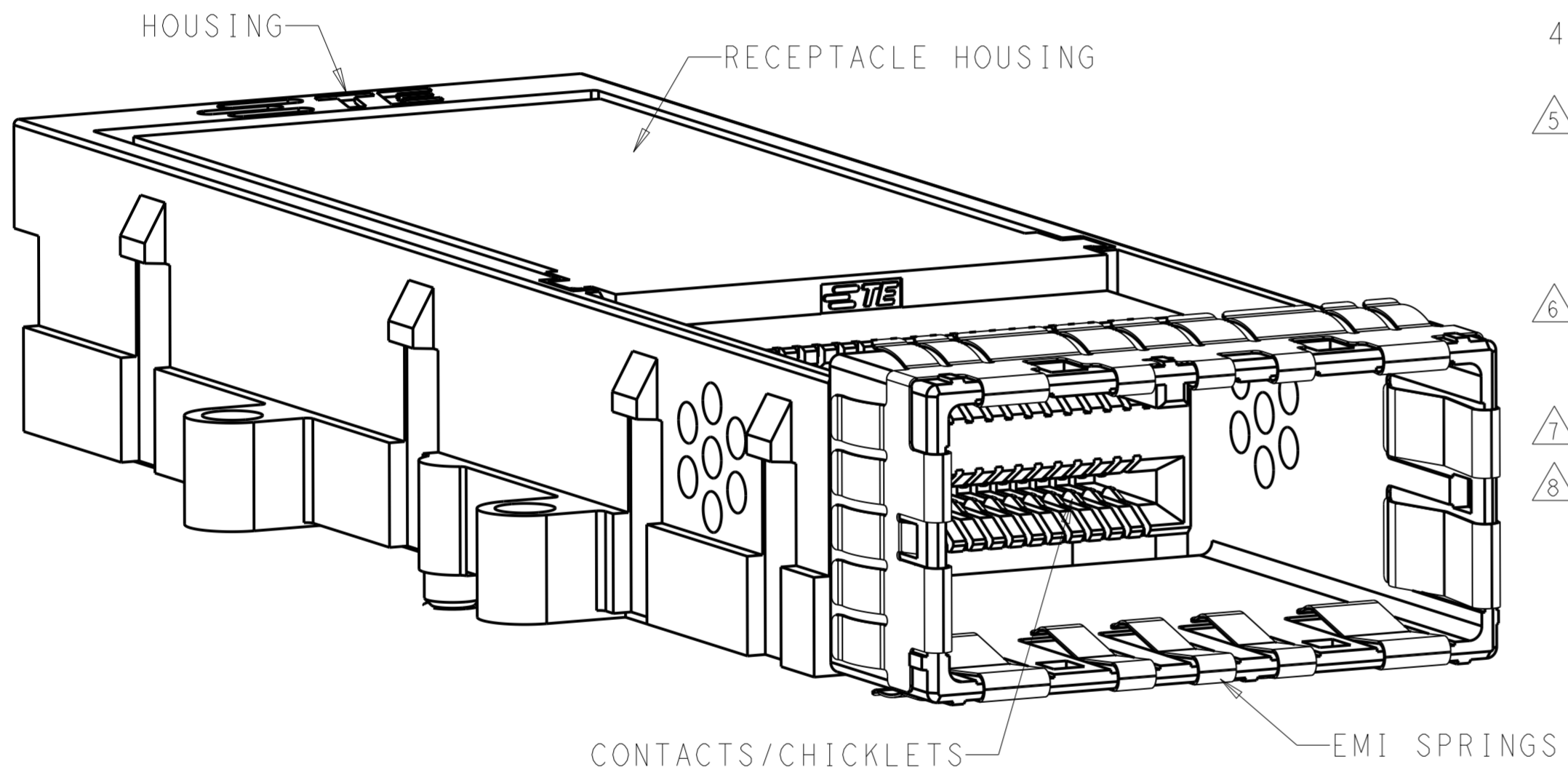


THIS DRAWING IS UNPUBLISHED. RELEASED FOR PUBLICATION 20  
 © COPYRIGHT 20 BY - ALL RIGHTS RESERVED.

| REVISIONS |     |                        |           |        |
|-----------|-----|------------------------|-----------|--------|
| P         | LTR | DESCRIPTION            | DATE      | APVD   |
| A         |     | RELEASED ECO-14-002997 | 24MAR2014 | LAW SB |
|           |     |                        |           |        |
|           |     |                        |           |        |

- 1 MATERIALS:  
 HOUSING - ZINC ALLOY  
 RECEPTACLE HOUSING - LCP, BLACK, UL 94V-O RATED  
 CHICKLET - LCP, BLACK, UL 94V-O RATED  
 CONTACT - PHOSPHOR BRONZE  
 EMI SPRING - COPPER ALLOY
- 2 FINISH:  
 CONTACT - CONFORMS TO THE REQUIREMENTS OF TE  
 PRODUCT SPECIFICATION 108-2426, BASED ON EIA/ECA-364-1000.01A,  
 (CONTROLLED ENVIRONMENT APPLICATIONS) ON MATING INTERFACE,  
 MATTE TIN PLATE OVER NICKEL UNDER PLATE ON COMPLIANT PIN  
 HOUSING - NICKEL PLATE
- 3 NOTE DELETED
- 4 MOUNTING HARDWARE REQUIRED:  
 M2X0.4 (4): MOUNTING SCREW LENGTH = BOARD THICKNESS + 8mm MAX
- 5 THE ENTIRE AREA OF THE CONNECTOR FOOTPRINT, INDICATED  
 BY CROSSHATCHING, TO BE CONSIDERED THE KEEPOUT AREA FOR  
 COMPONENTS AND SIGNAL TRACES, TOP SIDE ONLY, TOP SIDE  
 TRACES ALLOWED WITHIN CONNECTOR HOLE PATTERN, CROSSHATCHING  
 TO BE CONDUCTIVE
- 6 FEATURES IN PHANTOM LINES ARE RELATED TO USE WITH  
 CONNECTOR PN 2149701-X AND GANGED SIDE BY SIDE APPLICATION
- 7 PCB THICKNESS = 1.44 MIN
- 8 FOR HOLE SIZE AND FINISHES SEE APPLICATION SPECIFICATION 114-13283



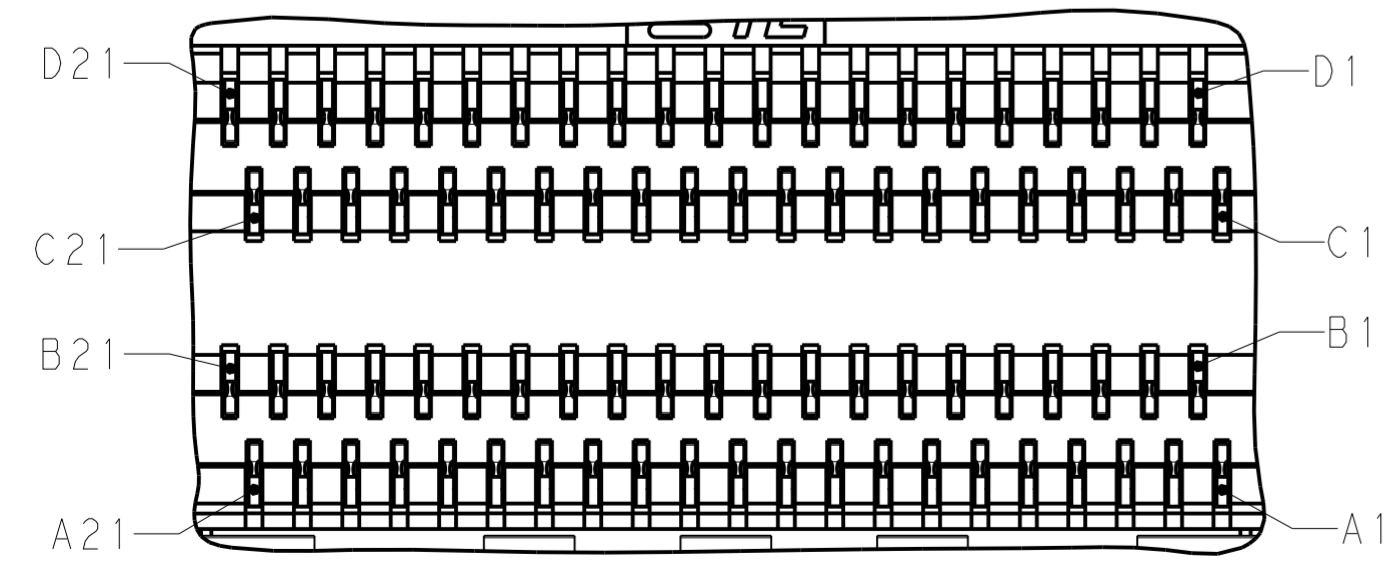
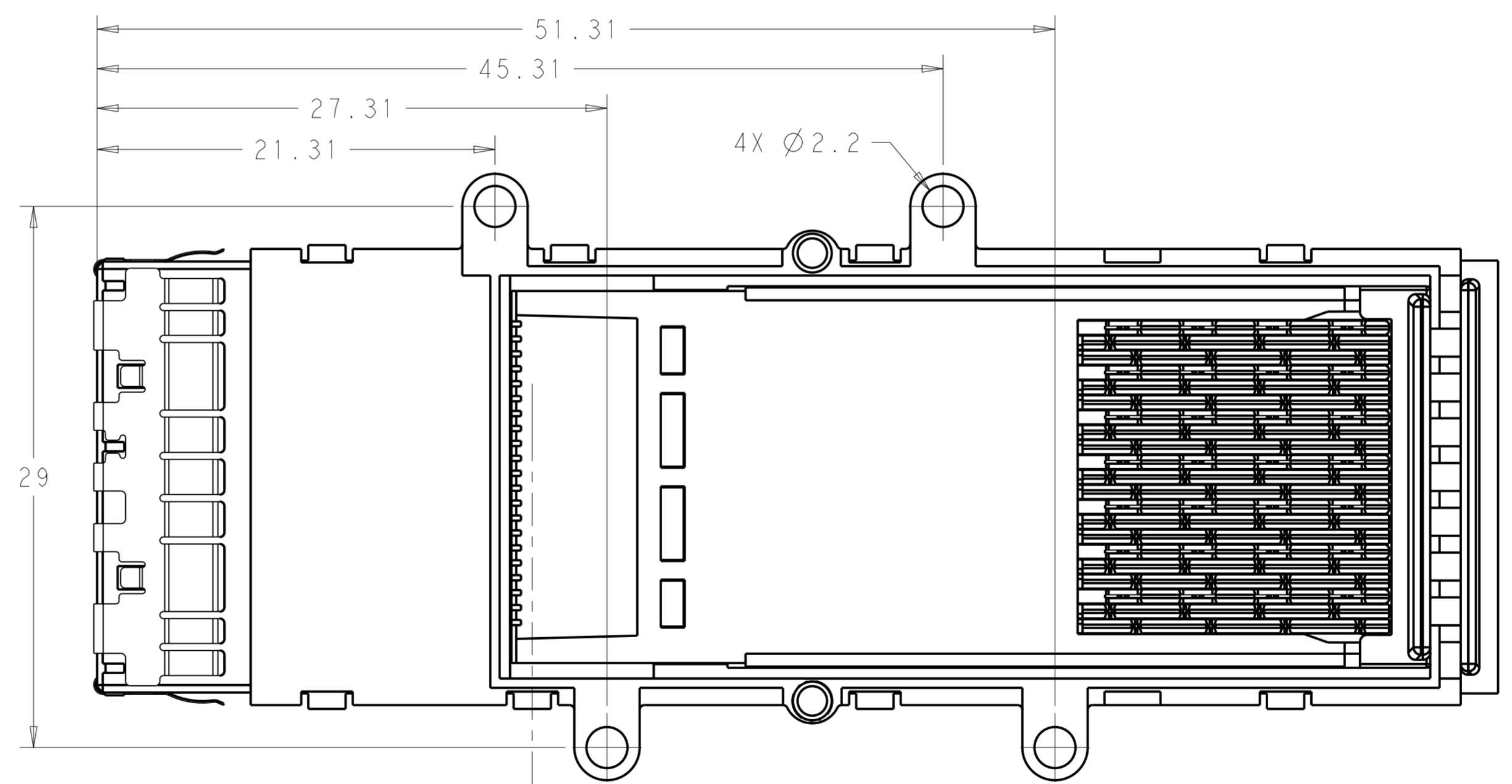
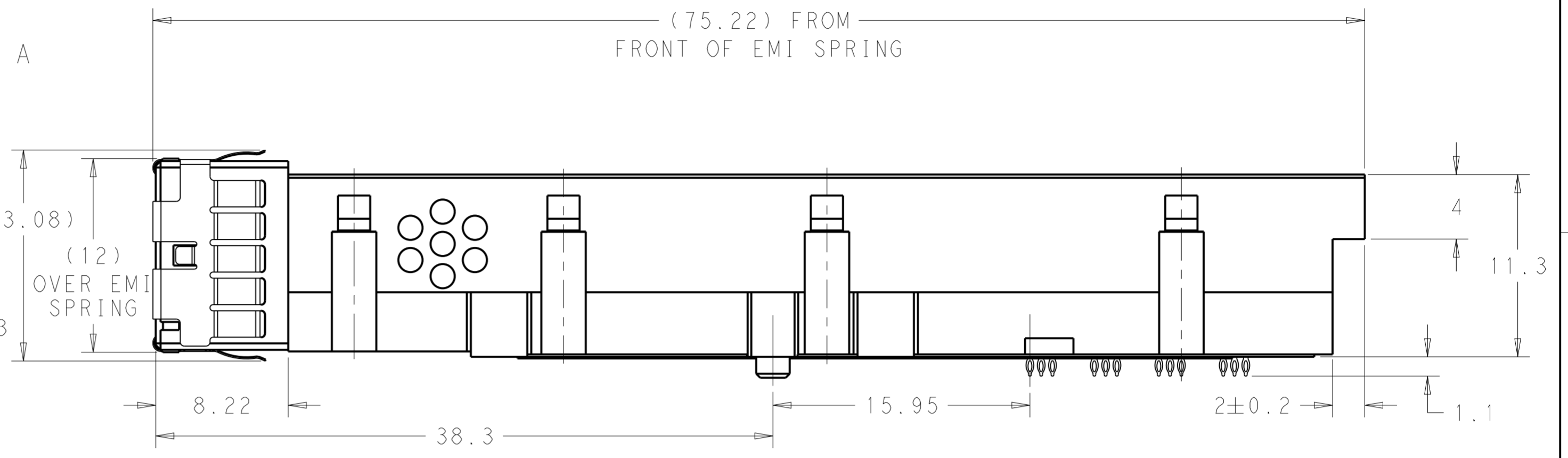
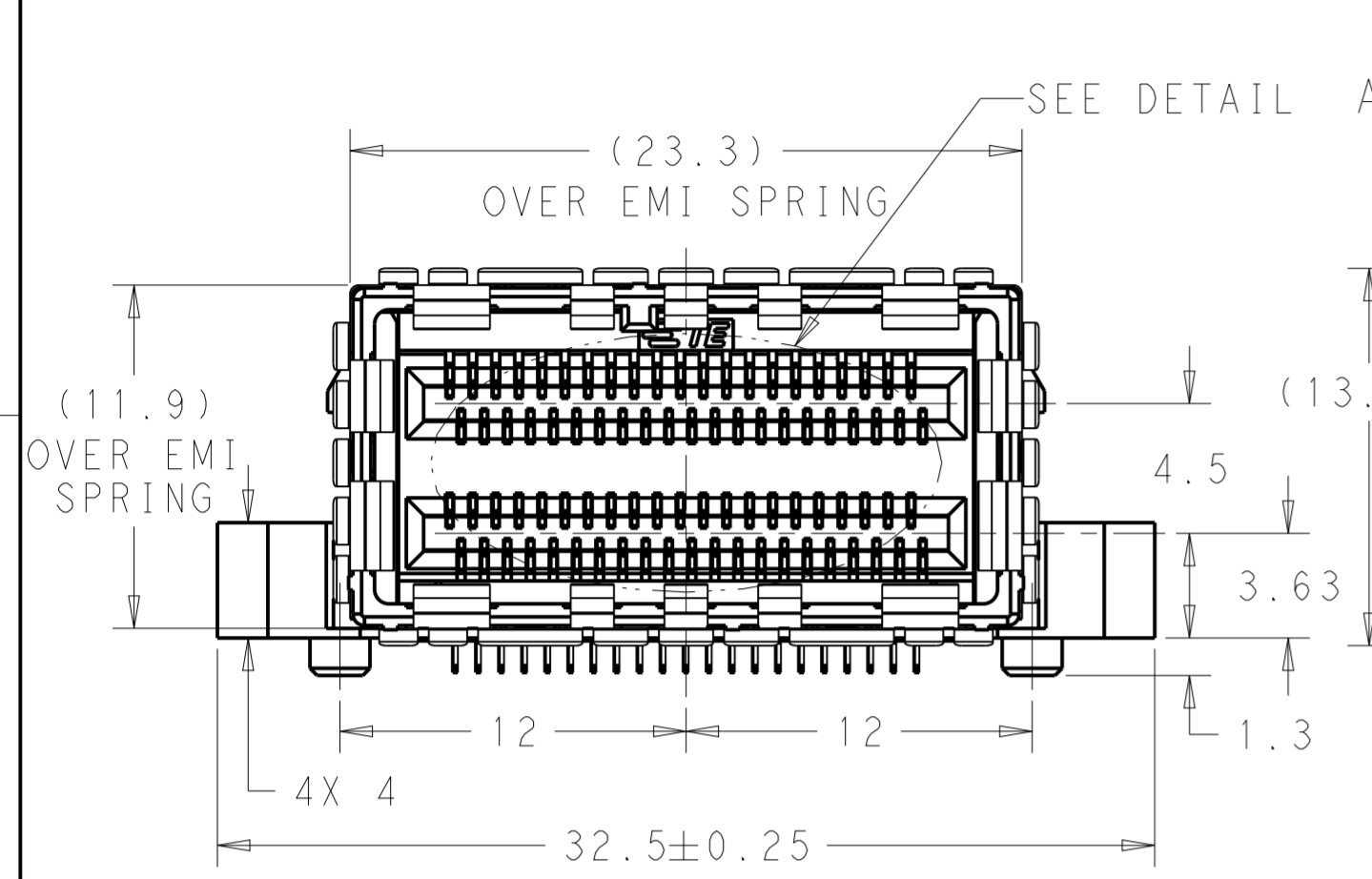
2149733-1  
 SCALE 5:1

|          |        |                                 |             |
|----------|--------|---------------------------------|-------------|
| OBSOLETE | 3      | 84 POSITION RECEPTACLE ASSEMBLY | 2149733-2   |
|          | 2      | 84 POSITION RECEPTACLE ASSEMBLY | 2149733-1   |
|          | FINISH | DESCRIPTION                     | PART NUMBER |

|  |   |  |   |                    |
|--|---|--|---|--------------------|
| THIS DRAWING IS A CONTROLLED DOCUMENT. DIMENSIONING AND TOLERANCING PER ASME Y14.5M-2009 |   | DWN M.E. COWHER 16SEP2010<br>CHK M.D. MORRISON 23SEP2010<br>APVD M.D. MORRISON 23SEP2010 | <b>STE</b> TE Connectivity  |                    |
| DIMENSIONS: mm   | TOLERANCES UNLESS OTHERWISE SPECIFIED:<br>0 PLC ±0.15<br>1 PLC ±0.15<br>2 PLC ±0.15<br>3 PLC ±<br>4 PLC ±<br>ANGLES ±1°<br>FINISH | PRODUCT SPEC 108-2426<br>APPLICATION SPEC 114-13283<br>WEIGHT -                          | NAME RECEPTACLE ASSEMBLY, BELLY-BELLY, EXTENDED, 84 POSITION, CXP |                    |
| MATERIAL 1   | 2   | SIZE A2<br>CAGE CODE 00779<br>DRAWING NO. C-2149733                                      | RESTRICTED TO -   |                    |
| Customer Drawing   |   |  | SCALE 1:1   | SHEET 1 OF 4 REV A |

THIS DRAWING IS UNPUBLISHED. RELEASED FOR PUBLICATION 20  
 © COPYRIGHT 20 BY - ALL RIGHTS RESERVED.

| REVISIONS |     |             |      |      |
|-----------|-----|-------------|------|------|
| P         | LTR | DESCRIPTION | DATE | APVD |
| -         | -   | SEE SHEET 1 | -    | -    |
|           |     |             |      |      |
|           |     |             |      |      |



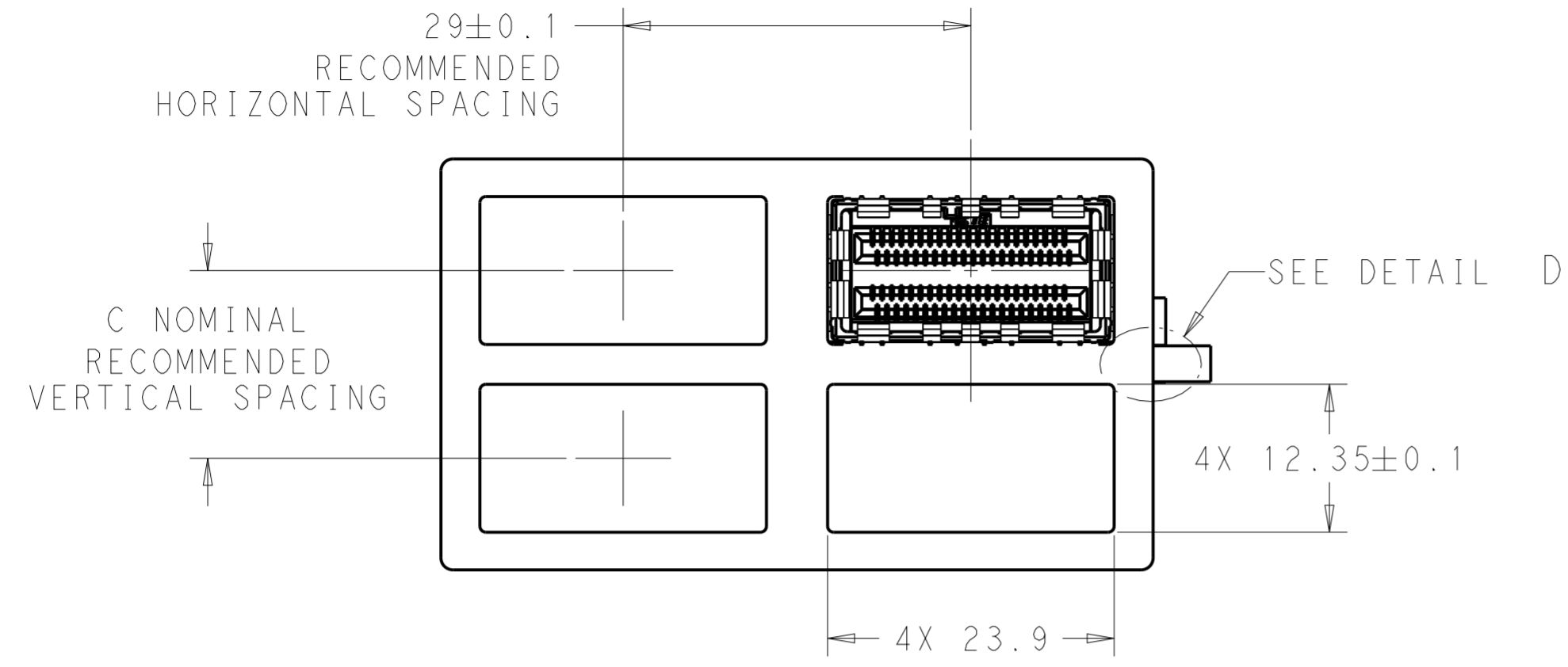
DETAIL A  
 RECOMMENDED PIN CALLOUT  
 SCALE 8:1

2149733-1  
 SCALE 4:1

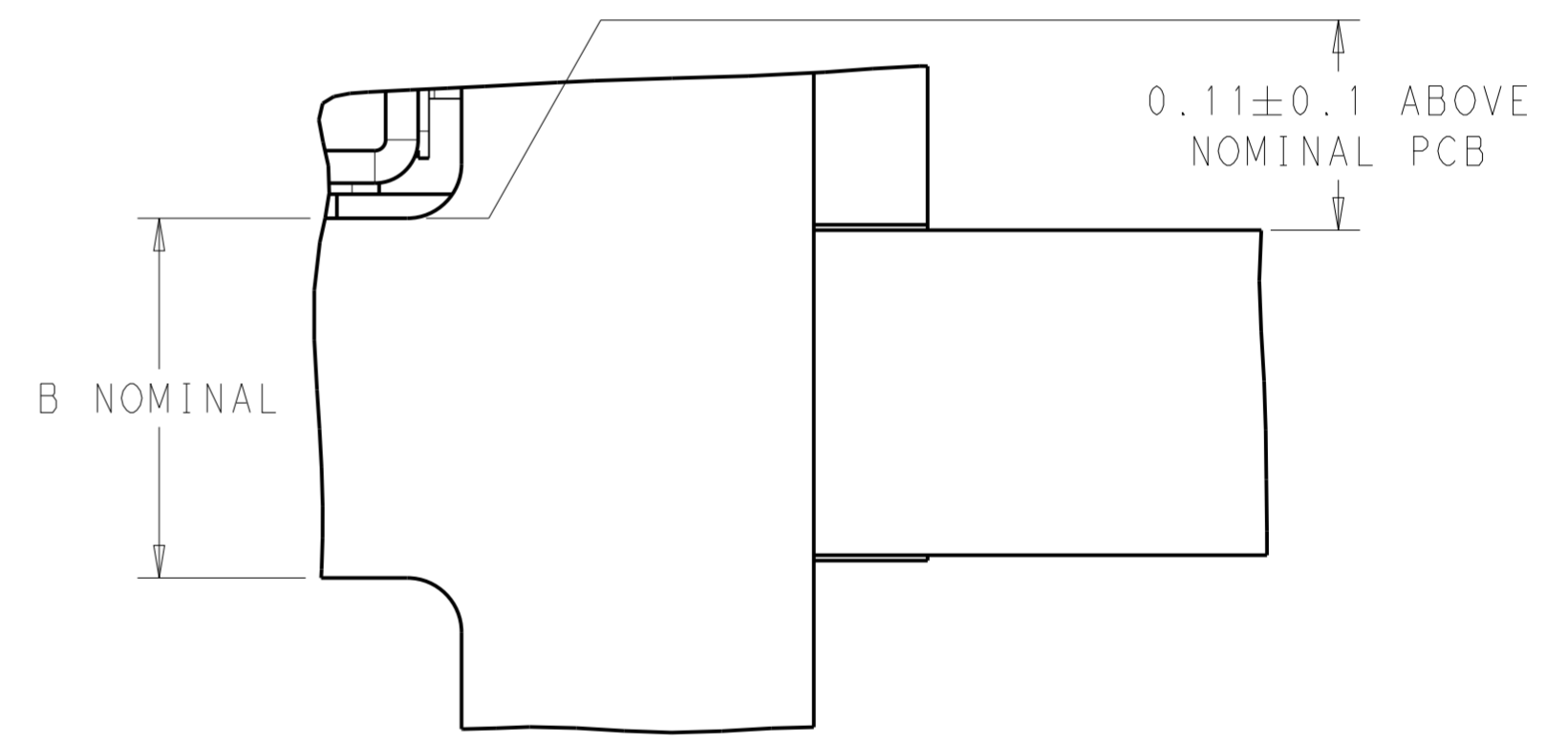
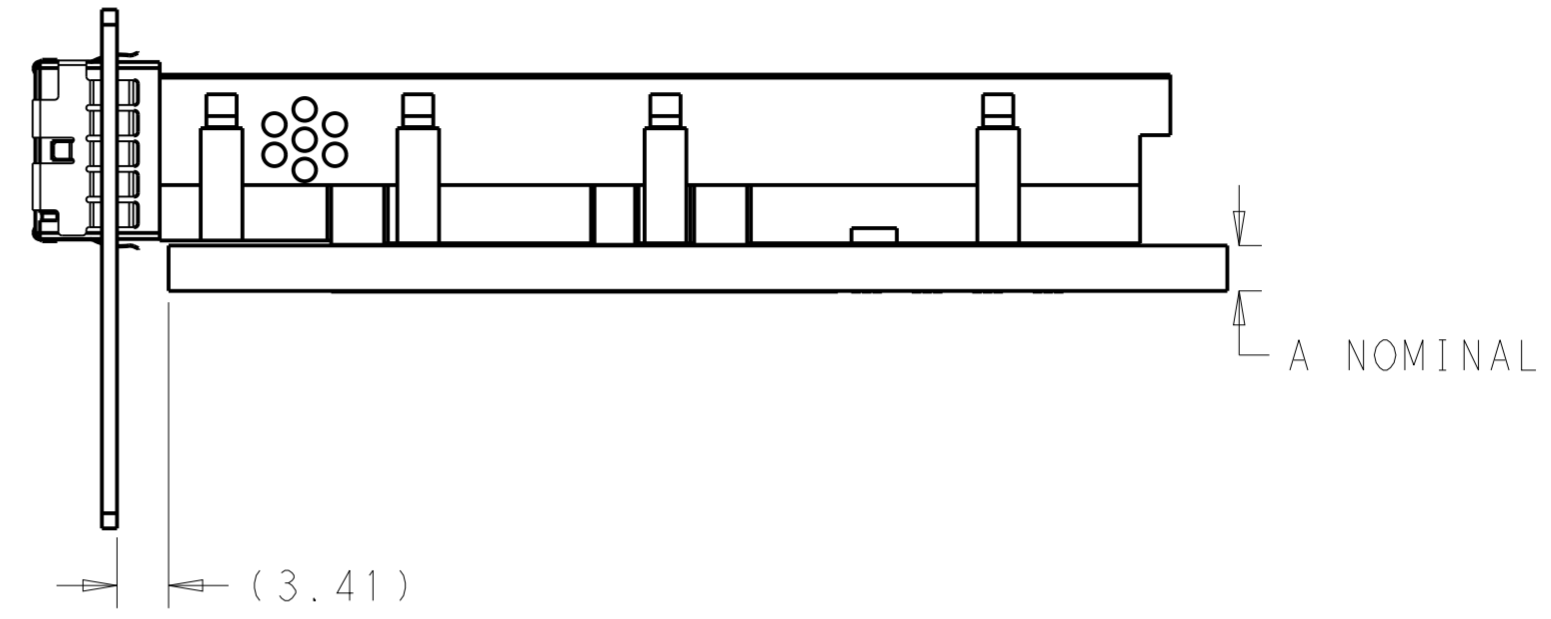
|  |   |  |  |       |
|--|---|--|--|-------|
| THIS DRAWING IS A CONTROLLED DOCUMENT. DIMENSIONING AND TOLERANCING PER ASME Y14.5M-2009 |   | DWN M.E. COWHER 16SEP2010<br>CHK M.D. MORRISON 23SEP2010<br>APVD M.D. MORRISON 23SEP2010 | TE Connectivity<br><b>RECEPTACLE ASSEMBLY, BELLY-BELLY, EXTENDED, 84 POSITION, CXP</b> |       |
| DIMENSIONS: mm   | TOLERANCES UNLESS OTHERWISE SPECIFIED:<br>0 PLC ±0.15<br>1 PLC ±0.15<br>2 PLC ±0.15<br>3 PLC ±<br>4 PLC ±<br>ANGLES ±1°<br>FINISH | PRODUCT SPEC 108-2426<br>APPLICATION SPEC 114-13283<br>WEIGHT -                          |  |       |
| MATERIAL -   | -   | Customer Drawing   | RESTRICTED TO -  |       |
| SCALE 1:1  |   |  | SHEET 2 OF 4   | REV A |

THIS DRAWING IS UNPUBLISHED. RELEASED FOR PUBLICATION 20  
 © COPYRIGHT 20 BY - ALL RIGHTS RESERVED.

| REVISIONS |     |             |      |      |
|-----------|-----|-------------|------|------|
| P         | LTR | DESCRIPTION | DATE | APVD |
| -         |     | SEE SHEET 1 | -    | -    |
|           |     |             |      |      |
|           |     |             |      |      |



RECOMMENDED BRACKET LAYOUT  
SCALE 2:1



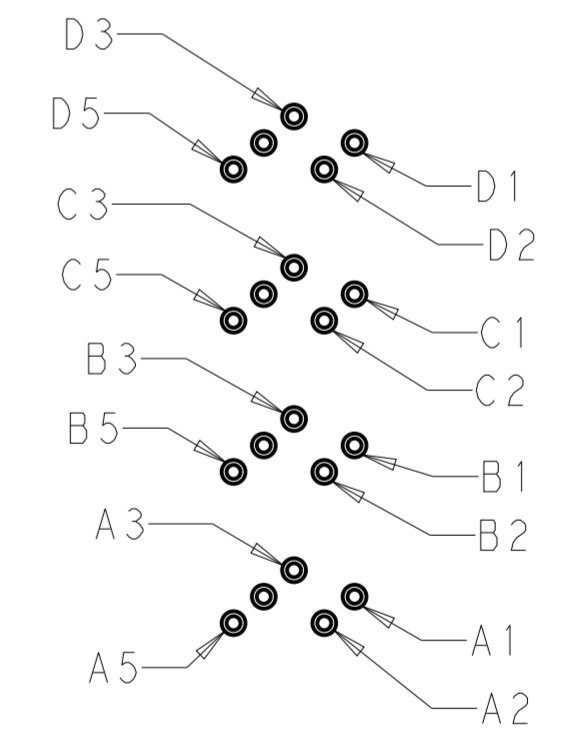
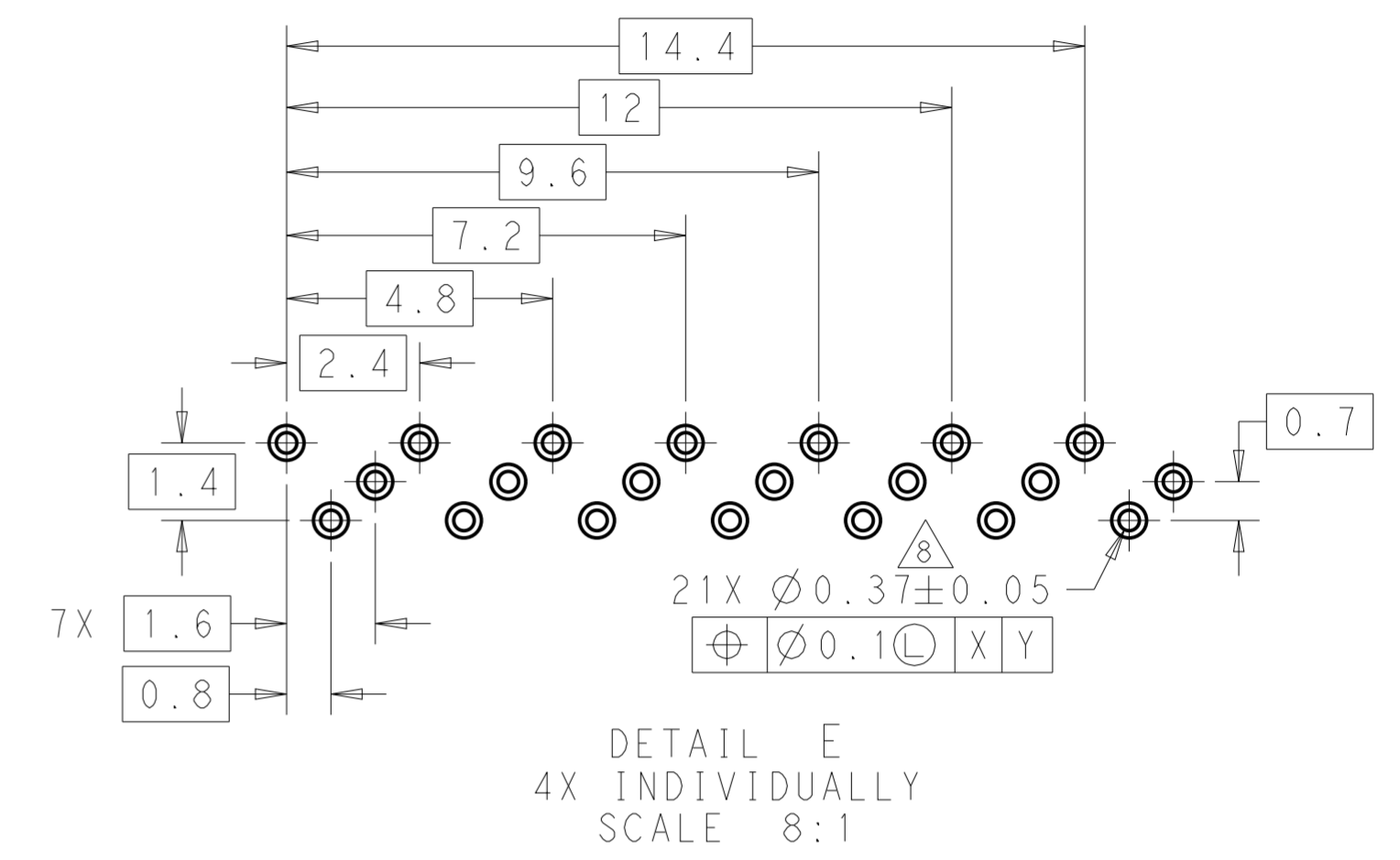
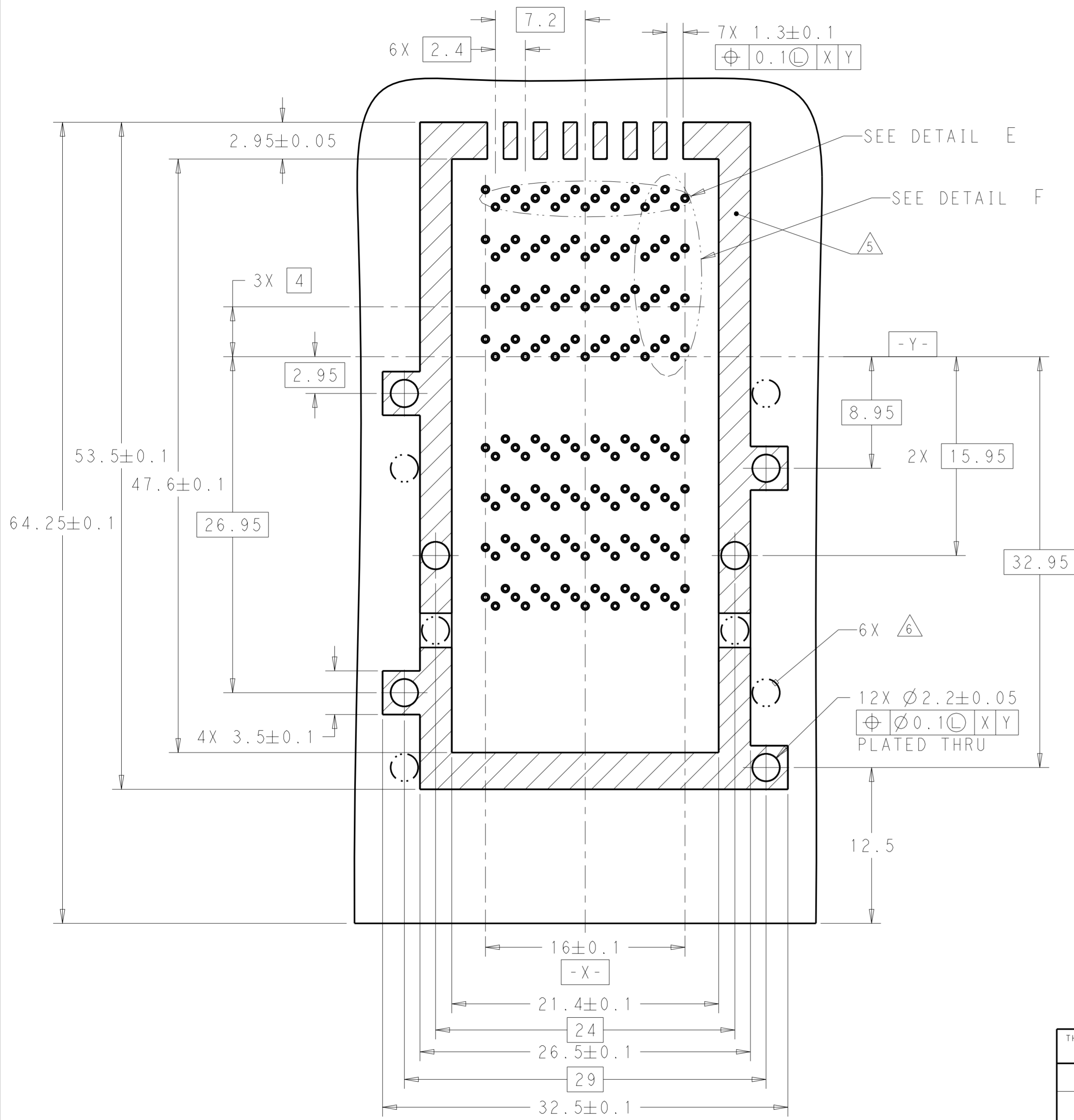
DETAIL D  
SCALE 15:1

|         |        |               |
|---------|--------|---------------|
| 12.57+A | 0.22+A | PCB THICKNESS |
| C       | B      | A             |

|  |   |  |   |                     |
|--|---|--|---|---------------------|
| THIS DRAWING IS A CONTROLLED DOCUMENT. DIMENSIONING AND TOLERANCING PER ASME Y14.5M-2009 |   | DWN M.E. COWHER 16SEP2010<br>CHK M.D. MORRISON 23SEP2010<br>APVD M.D. MORRISON 23SEP2010 | <b>STE</b> TE Connectivity  |                     |
| DIMENSIONS: mm   | TOLERANCES UNLESS OTHERWISE SPECIFIED:<br>0 PLC ±0.15<br>1 PLC ±0.15<br>2 PLC ±0.15<br>3 PLC ±<br>4 PLC ±<br>ANGLES ±1°<br>FINISH | PRODUCT SPEC 108-2426<br>APPLICATION SPEC 114-13283<br>WEIGHT -                          | NAME RECEPTACLE ASSEMBLY, BELLY-BELLY, EXTENDED, 84 POSITION, CXP |                     |
| MATERIAL -   | -   | Customer Drawing   | SIZE A200779  | CAGE CODE C-2149733 |
| SCALE 1:1  |   |  | SHEET 3 OF 4  | REV A               |

THIS DRAWING IS UNPUBLISHED. RELEASED FOR PUBLICATION 20  
 © COPYRIGHT 20 BY - ALL RIGHTS RESERVED.

| REVISIONS |     |             |      |      |
|-----------|-----|-------------|------|------|
| P         | LTR | DESCRIPTION | DATE | APVD |
| -         | -   | SEE SHEET 1 | -    | -    |
|           |     |             |      |      |
|           |     |             |      |      |



RECOMMENDED PCB LAYOUT  
 COMPONENT SIDE SHOWN  
 SCALE 4:1  
 5 7 8

|   |  |                                 |  |
|---|--|---------------------------------|--|
| THIS DRAWING IS A CONTROLLED DOCUMENT. DIMENSIONING AND TOLERANCING PER ASME Y14.5M-2009.   |  | DWN 16SEP2010<br>M.E. COWHER    | TE Connectivity  |
| DIMENSIONS: mm  |  | CHK 23SEP2010<br>M.D. MORRISON  |  |
| TOLERANCES UNLESS OTHERWISE SPECIFIED:<br>0 PLC ±0.15<br>1 PLC ±0.15<br>2 PLC ±0.15<br>3 PLC ±<br>4 PLC ±<br>ANGLES ±1°<br>FINISH |  | APVD 23SEP2010<br>M.D. MORRISON | NAME<br>RECEPTACLE ASSEMBLY,<br>BELLY-BELLY, EXTENDED,<br>84 POSITION, CXP |
| MATERIAL  |  | PRODUCT SPEC<br>108-2426        | SIZE<br>A2   |
|   |  | APPLICATION SPEC<br>114-13283   | CAGE CODE<br>00779   |
|   |  | WEIGHT                          | DRAWING NO<br>C-2149733  |
|   |  | Customer Drawing                | RESTRICTED TO  |
|   |  | SCALE 1:1                       | SHEET 4 OF 4 REV A   |

## X-ON Electronics

Largest Supplier of Electrical and Electronic Components

*Click to view similar products for [I/O Connectors](#) category:*

*Click to view products by [TE Connectivity](#) manufacturer:*

Other Similar products are found below :

[571763P](#) [58098-0628](#) [61-168618-12P](#) [D38999/20FJ24PA L/C](#) [D38999/20FJ29SB L/C](#) [72.250.1628.2](#) [72.250.2428.2](#) [74720-0505](#) [747680210](#)  
[76.350.0729.0](#) [76871-1403](#) [FCN-244F080-G/1](#) [FCN-260A9920](#) [FCN-268D024-G/2F#10X-R10](#) [MP-5T180MUNNA-005](#) [MP-5XRJ45UNNB-](#)  
[003](#) [PCS-E50FA](#) [PCS-XE26LKA](#) [PCS-XE26MA+](#) [PCS-XES68MS+](#) [G38A71314B](#) [91-569719-35R](#) [9776-18-6](#) [DX40-50P\(55\)](#) [1571250010](#)  
[157-22500-3](#) [MS3471L14-19P L/C](#) [171224-6031](#) [1888020-8](#) [91-569786-35H](#) [91-569786-35M](#) [91-644626-35P](#) [172501-4002](#) [172501-6002](#)  
[FCN-260C008-A/L0](#) [FCN-260C024-AL0](#) [FCN-268D008-G/1K](#) [2000314-1](#) [200331-1](#) [2007498-2](#) [PCR-E28LMDAG1+](#) [PCR-E36FC+](#) [PCS-](#)  
[E28FS+](#) [PCS-XE26SLFD+](#) [PCS-XE26SLFDT+](#) [G38A71214B](#) [HDRA-E68W1LFDTC-SL+](#) [HDR-E14MSG1+](#) [R88A-CNK81S](#) [CRT1-](#)  
[ATT02](#)