

SO SERIES

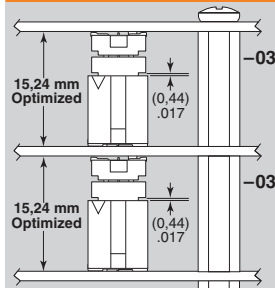
PRECISION BOARD STACKING STANDOFF

SPECIFICATIONS

For complete specifications and recommended PCB layouts see www.samtec.com?SO

Material:
Aluminum
Locking Compound:
Nylon

APPLICATIONS

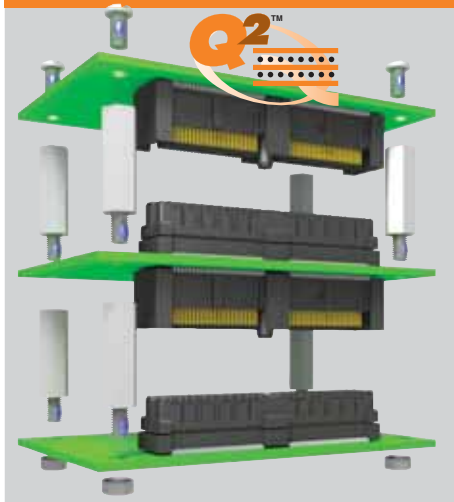


See QMS/QFS Series SUMIT™ & PCI/104-Express™ connectors

Requires Standoff SO-1524-03-01-02-L 15.24mm board spacing. Connectors designed to not fully seat when mated.

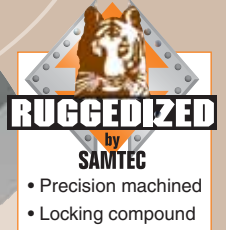
See next page for more applications!

APPLICATIONS



Ideal for use with all Samtec SI connectors

Precision machined tolerances ($\pm .002"$ (0,05 mm))



- Precision machined
- Locking compound

Stack heights from 5 mm to 25 mm

ALSO AVAILABLE (MOQ Required)

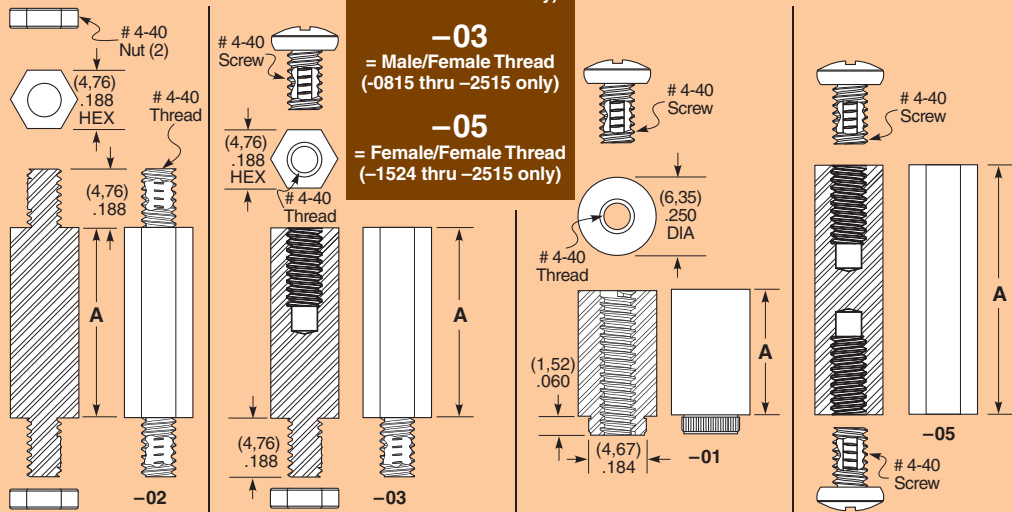
- Other heights
 - Stainless Steel
 - Locking compound removed
 - Other materials and threading
 - No Hardware
- Contact Samtec.

SO	BOARD STACKER	LEAD STYLE	THREAD STYLE	01	L
Specify BOARD STACKER from chart		-01 = Female Thread/Press-In (-0515 thru -0865 only)	-01 = #4-40 Thread	-L = -02 & -03 Lead Style thread locking compound (Leave blank for -01 Lead Style)	
		-02 = Male/Male Thread (-0515 and -1115 thru -2515 only)	-02 = M3 x 0.5 Thread		
		-03 = Male/Female Thread (-0815 thru -2515 only)			
		-05 = Female/Female Thread (-1524 thru -2515 only)			

BOARD STACKER	A	BOARD STACK HEIGHT
-0515	(5,15) .203	5 mm
-0715	(7,15) .282	7 mm
-0815	(8,15) .321	8 mm
-0865	(8,65) .341	8,5 mm
-1115	(11,15) .439	11 mm
-1215	(12,15) .478	12 mm
-1524	(15,24) .600	15,24 mm
-1615	(16,15) .636	16 mm
-1890	(18,90) .744	18,75 mm
-1915	(19,15) .754	19 mm
-2515	(25,15) .990	25 mm

Note: Standoffs are designed, 0,15 mm longer than connector stack heights to allow for processing variables.

Note: Some sizes, styles and options are non-standard, non-returnable.



Components are to be packaged in separate bags unassembled.

Due to technical progress, all designs, specifications and components are subject to change without notice.

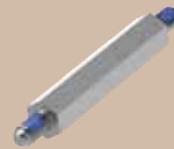
SO-0515-01-01-01



SO-1215-02-01-01-L



SO-1915-02-01-01-L



SO SERIES

STACKING STANDOFF APPLICATIONS



Stack Height	Type Interconnect	Trade Name	Series Name	Pitch	Standoff
5 mm	Strip	Q Series®	QTH/QSH	.5 mm	SO-0515-01-01-01
		B Series	BTH/BSH	.5 mm	
		Q Series®	QTS/QSS	.635 mm	
		Q Series®	MIT/MIS	.635 mm	
		B Series	BTS/BSS	.635 mm	
		Q Series®	QTE/QSE	.8 mm	
7 mm	Strip	Edge Rate™	ERM8/ERF8	.8 mm	SO-0715-01-01-01
	Array	SEARAY™	SEAM/SEAF	1.27 mm	
8 mm	Strip	Q Series®	QTH/QSH	.5 mm	SO-0815-01-01-01
		B Series	BTH/BSH*	.5 mm	
		Q Series®	QTS/QSS	.635 mm	
		Q Series®	MIT/MIS	.635 mm	
		B Series	BTS/BSS*	.635 mm	
		Q Series®	QTE/QSE	.8 mm	
8.5 mm	Array	SEARAY™	SEAM/SEAF	1.27 mm	SO-0865-01-01-01
	11 mm	Strip	Q Series®	QTH/QSH	.5 mm
B Series			BTH/BSH*	.5 mm	
Q Series®			QTS/QSS*	.635 mm	
Q2™			QMS/QFS	.635 mm	
Q2™			QMSS/QFSS	.635 mm	
Q Series®			MIT/MIS*	.635 mm	
B Series			BTS/BSS*	.635 mm	
Q Series®			QTE/QSE	.8 mm	
B Series			BTE/BSE*	.8 mm	
Q2™			QMS/QFS	.635 mm	
12 mm	Strip	Edge Rate™	ERM8/ERF8	.8 mm	SO-1215-02-01-01-L
	Array	SEARAY™	SEAM/SEAF	1.27 mm	
15.24 mm	Strip	Q2™	QMS/QFS	.635 mm	SO-1524-02-01-01-L SO-1524-03-01-01-L
16 mm	Strip	Q Series®	QTH/QSH	.5 mm	SO-1615-02-01-01-L
		B Series	BTH/BSH*	.5 mm	
		Q Series®	QTS/QSS*	.635 mm	
		Q2™	QMS/QFS	.635 mm	
		Q Series®	MIT/MIS*	.635 mm	
		B Series	BTS/BSS*	.635 mm	
		Q Series®	QTE/QSE	.8 mm	
		Edge Rate™	ERM8/ERF8	.8 mm	
18.75 mm	Strip	SEARAY™	SEAM/SEAF	1.27 mm	SO-1890-02-01-01-L
		Q Series®	MIT/MIS*	.635 mm	
19 mm	Strip	Q Series®	QTH/QSH	.5 mm	SO-1915-02-01-01-L
		B Series	BTH/BSH*	.5 mm	
		Q Series®	QTE/QSE	.8 mm	
		RiseUp®	RU8	.8 mm	
		B Series	BTE/BSE*	.8 mm	
25 mm	Strip	Q Series®	QTH/QSH	.5 mm	SO-2515-02-01-01-L
		Q Series®	QTE/QSE	.8 mm	
		RiseUp®	RU8	.8 mm	
		B Series	BTE/BSE*	.8 mm	
		Array	HD Mezz***	HDAM/HDAF	

*ASO (Application Specific Option) ***HD Mezz is a trademark of Molex Incorporated

Due to technical progress, all designs, specifications and components are subject to change without notice.

X-ON Electronics

Largest Supplier of Electrical and Electronic Components

Click to view similar products for [Standoffs & Spacers](#) category:

Click to view products by [Samtec](#) manufacturer:

Other Similar products are found below :

[M0513-3-N](#) [M0516-3-N](#) [M0517-3-N](#) [M0518-3-N](#) [M0521-3-N](#) [M0524-3-N](#) [M0532-35-AL](#) [M0532-35-N](#) [M0543-4-AL](#) [M0544-35-N](#) [M0544-3-N](#) [M0545-3-AL](#) [M0553-3-N](#) [M0564-4-N](#) [M0608-5-SS](#) [M0609-5-SS](#) [M0610-35-AL](#) [M0613-3-N](#) [M0651-5-SS](#) [M0653-35-N](#) [M0654-4-SS](#) [M0655-5-AL](#) [M0655-5-N](#) [M0660-4-AL](#) [M0660-4-N](#) [M0670-35-N](#) [M0671-5-N](#) [M0671-5-SS](#) [M0722-5-N](#) [M0725-6-N](#) [M0731-4-N](#) [M0904-B-25-AL](#) [M1273-2545-AL](#) [M1273-3005-AL](#) [M1303-3506-AL](#) [M1307-3506-AL](#) [M1313-3005-N](#) [M1313-4007-AL](#) [M1314-3005-AL](#) [M1314-3005-SS](#) [M1315-3005-SS](#) [M1315-4007-N](#) [M1317-3506-AL](#) [M1317-4007-SS](#) [M1318-3005-SS](#) [M1320-3005-AL](#) [M1320-3005-N](#) [M1321-3005-SS](#) [M1321-4007-AL](#) [M1322-4007-N](#)