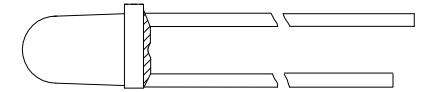


## Features:

- High intensity
- Blue diffused (CD) or Water clear (WC) epoxy

## LED Lamp Package



## Electro / Optical Characteristics $I_F = 20 \text{ mA}$ $T_a = 25^\circ \text{ C}$

LED Part Number	Emitting Colour	Epoxy Type	Die Material	Wavelength		Forward Voltage $V_F$		Luminous intensity $I_V$		Luminous Flux $\phi_V$	Viewing $\angle 2\theta_{1/2}$
				Peak $\lambda_P$	Dominant $\lambda_d$	typical	max	min	typical		
Forge Europa											
FNL-U300B23CDSL	Blue	CD	InGaN/SiC	-	470	3.20	3.70	-	140	-	60°
FNL-U300B22CDSL	Blue	CD	InGaN/SiC	-	460	3.20	3.70	-	140	-	60°
FNL-U300B23WCSL	Blue	WC	InGaN/SiC	-	470	3.20	3.70	-	400	-	35°
FNL-U300B22WCSL	Blue	WC	InGaN/SiC	-	460	3.20	3.70	-	400	-	35°
Units				nm		V		mcd		mlm	deg

## Maximum Ratings $T_a = 25^\circ \text{ C}$ ( Derate above $25^\circ \text{ C}$ )

Characteristic	Condition	Symbol	Rating	Units
Pulse Forward Current	0.1 duty cycle @ 1KHz	$I_{FP}$	100	mA
DC Forward Current		$I_F$	25	mA
Reverse Voltage	$I_R = 100 \mu\text{A}$	$V_R$	5	V
Power Dissipation		$P_D$	85	mW
Operating Temperature		$T_{opr}$	- 20 to + 80	° C
Storage Temperature		$T_{stg}$	- 20 to + 100	° C
Lead soldering temperature	1.6 mm from body - max 3 seconds		240	° C

### Note

Industry standard procedures regarding static must be observed when handling product produced with blue die material.

## Package Outline

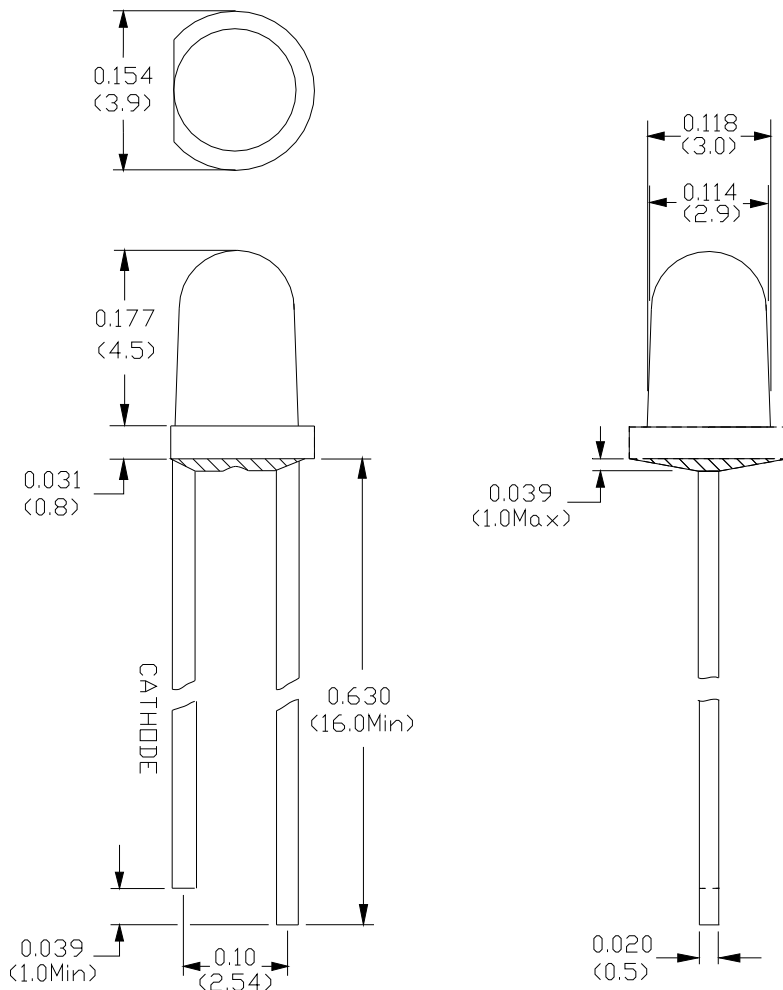
Dimensions in mm

Tol ± 0.25 mm unless stated



### WARNING

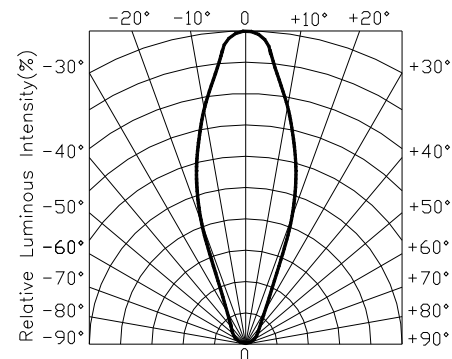
This range of LEDs is produced with die having a high radiant flux. Care must be taken when viewing the product at close range as the light may be intense enough to cause damage to the human eye.



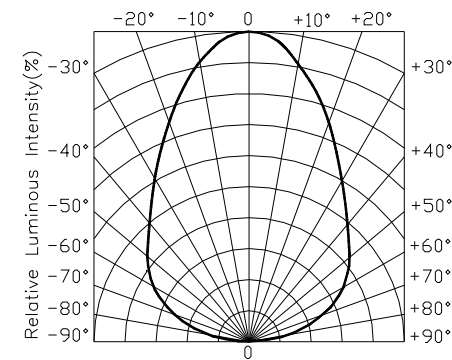
## Radiation Diagrams

T<sub>a</sub> = 25°C

35°



60°



## X-ON Electronics

Authorized Distributor

*Click to view similar products for [Forge Europa](#) manufacturer.*

Other Similar products are found below :

[FCLP5DR078G03B12WCCI](#) [FELF115B15V12](#) [FELF115R2112V12](#) [FELF115W28V12](#) [FN10311B2300GW](#) [FN10312B2300GW](#)  
[FN10392B230JGW](#) [FN10562B230SGW](#) [FN10801B230SGW](#) [FN10802B220SGW](#) [FN10802B230SGW](#) [FNLU300B22CDSL](#)  
[FNLU300B22WCSL](#) [FNLU300B23CDSL](#) [FNLU300B23WCSL](#) [FNLU500B22CDSL](#) [FNLU500B22WCSL](#) [FNLU500B23CDSL](#)  
[FNLU501B22WCSL](#)