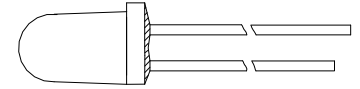


- Features:
- High intensity
 - Blue diffused (CD) or Water clear (WC) epoxy

LED Lamp Package



Electro / Optical Characteristics $I_F = 20 \text{ mA}$ $T_a = 25^\circ \text{ C}$

LED Part Number	Emitting Colour	Epoxy Type	Die Material	Wavelength		Forward Voltage V_F		Luminous intensity I_V		Luminous Flux ϕ_V	Viewing \angle $2\theta_{1/2}$
				Peak λ_p	Dominant λ_d	typical	max	min	typical		
FNL-U500B23CDSL	Blue	CD	InGaN/SiC	-	470	3.20	3.70	-	170	-	60°
FNL-U500B22CDSL	Blue	CD	InGaN/SiC	-	460	3.20	3.70	-	170	-	60°
FNL-U501B23WCSL	Blue	WC	InGaN/SiC	-	470	3.20	3.70	-	600	-	25°
FNL-U501B22WCSL	Blue	WC	InGaN/SiC	-	460	3.20	3.70	-	600	-	25°
FNL-U500B23WCSL	Blue	WC	InGaN/SiC	-	470	3.20	3.70	-	1100	-	15°
FNL-U500B22WCSL	Blue	WC	InGaN/SiC	-	460	3.20	3.70	-	1100	-	15°
Units				nm		V		mcd		mlm	deg

Maximum Ratings $T_a = 25^\circ \text{ C}$ (Derate above 25° C)

Characteristic	Condition	Symbol	Rating	Units
Pulse Forward Current	0.1 duty cycle @ 1KHz	I_{FP}	100	mA
DC Forward Current		I_F	25	mA
Reverse Voltage	$I_R = 100 \mu\text{A}$	V_R	5	V
Power Dissipation		P_D	85	mW
Operating Temperature		T_{opr}	- 20 to + 80	° C
Storage Temperature		T_{stg}	- 20 to + 100	° C
Lead soldering temperature	1.6 mm from body - max 3 seconds		240	° C

Note

Industry standard procedures regarding static must be observed when handling product produced with blue die material.

Package Outline

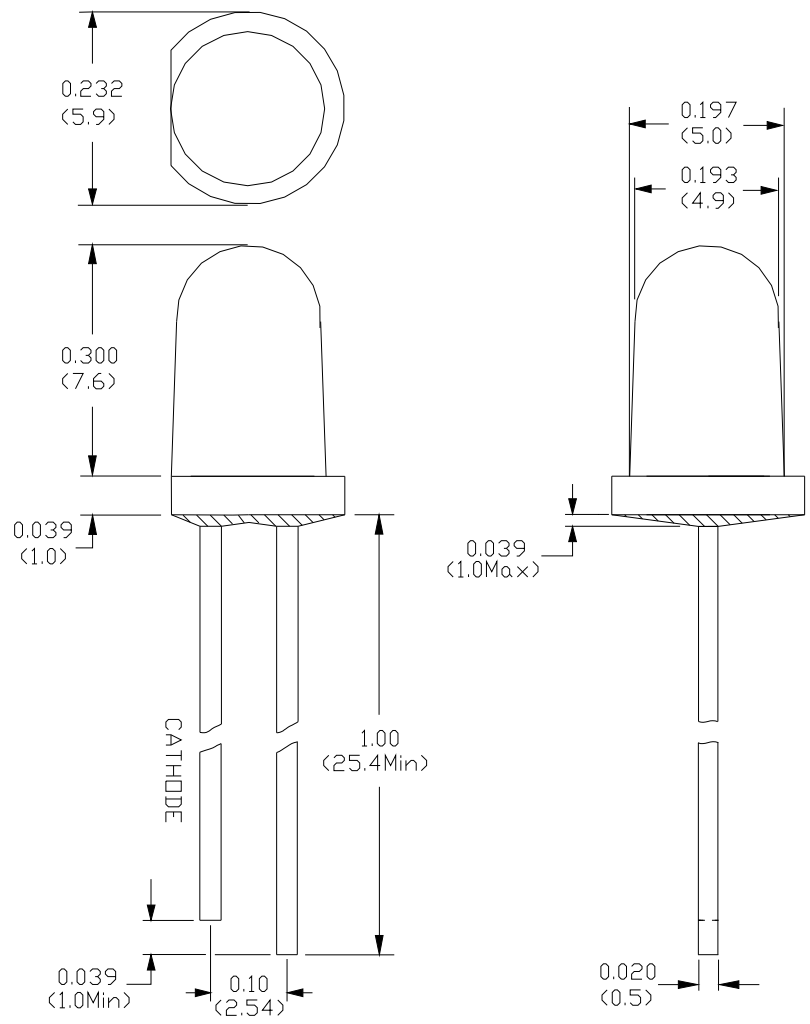
Dimensions in mm

Tol ± 0.25 mm unless stated



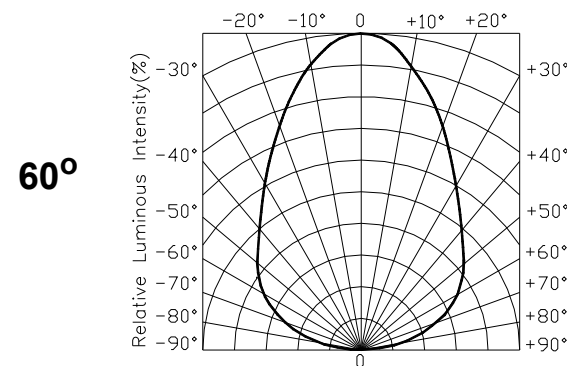
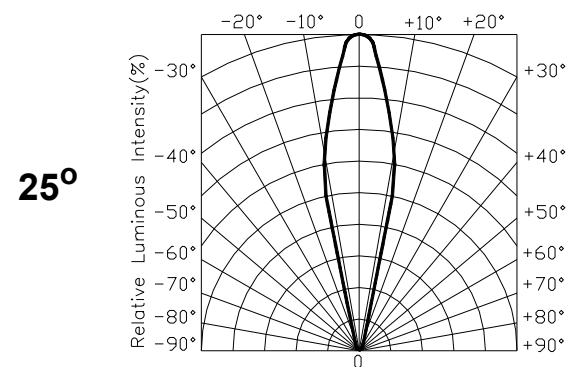
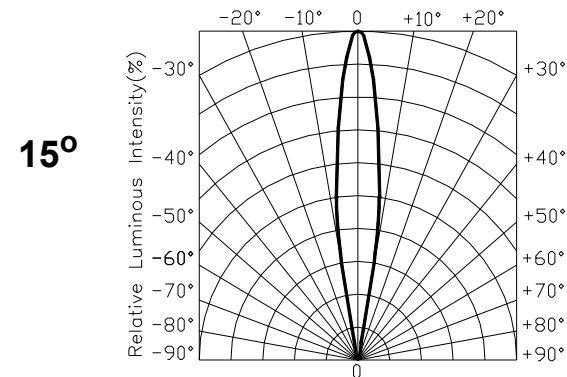
WARNING

This range of LEDs is produced with die having a high radiant flux. Care must be taken when viewing the product at close range as the light may be intense enough to cause damage to the human eye.



Radiation Diagrams

T_a = 25°C



X-ON Electronics

Authorized Distributor

Click to view similar products for [Forge Europa](#) manufacturer.

Other Similar products are found below :

[FCLP5DR078G03B12WCCI](#) [FELF115B15V12](#) [FELF115R2112V12](#) [FELF115W28V12](#) [FN10311B2300GW](#) [FN10312B2300GW](#)
[FN10392B230JGW](#) [FN10562B230SGW](#) [FN10801B230SGW](#) [FN10802B220SGW](#) [FN10802B230SGW](#) [FNLU300B22CDSL](#)
[FNLU300B22WCSL](#) [FNLU300B23CDSL](#) [FNLU300B23WCSL](#) [FNLU500B22CDSL](#) [FNLU500B22WCSL](#) [FNLU500B23CDSL](#)
[FNLU501B22WCSL](#)