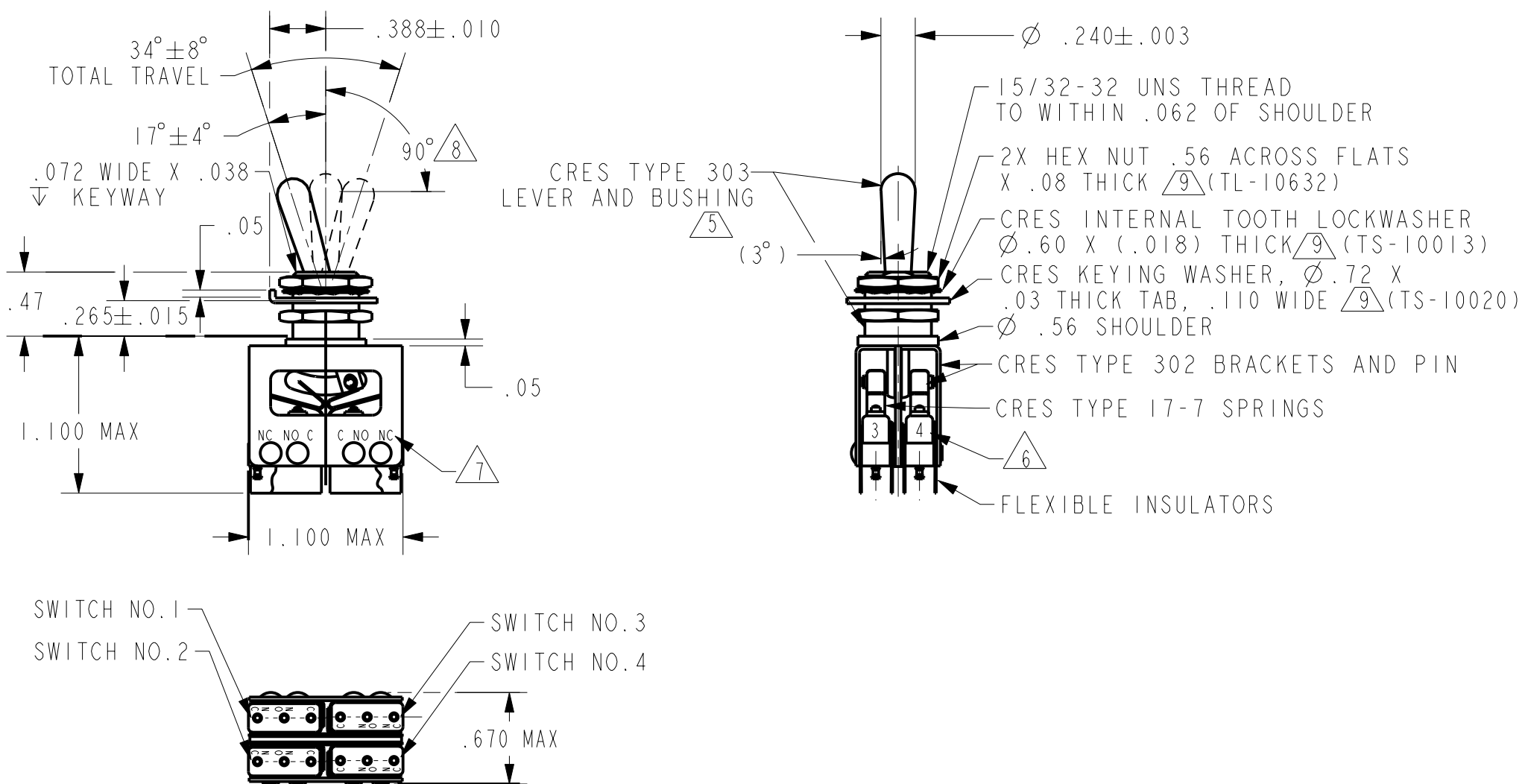


CATALOG LISTING	KEYWAY POSITION		CENTER POSITION		OPPOSITE KEYWAY POSITION	
	C-NC	C-NO	C-NO	C-NC	C-NC	C-NO
64AT26-1	1 & 2	3 & 4	NONE	ALL	3 & 4	1 & 2
64AT26-3	1 & 2	3 & 4	NONE	NONE	3 & 4	1 & 2
64AT26-5	1 & 2*	3 & 4*	NONE	ALL	3 & 4	1 & 2
64AT26-7	1 & 2*	3 & 4*	NONE	ALL	3 & 4*	1 & 2*
64AT26-514	1 & 2	3 & 4	NONE	ALL	3 & 4*	1 & 2*

* ASTERISK DENOTES MOMENTARY POSITION



- NOTES
- SWITCHES MARKED 1 & 3 HAVE 24K SOLID GOLD OVERLAY CONTACTS "23SX" TYPE BASIC SWITCH (MEETS REQUIREMENTS OF MIL-PRF-8805)
 - SWITCHES MARKED 2 & 4 HAVE SOLID SILVER CONTACTS "21SX" TYPE BASIC SWITCH (MEETS REQUIREMENTS OF MIL-PRF-8805)
 - SWITCHES DO NOT NECESSARILY OPERATE SIMULTANEOUSLY
 - PLATED TERMINALS WILL ACCEPT AMPS INC Ø .058 PIN RECEPTACLES
- 5 DULL FINISH ON LEVER AND BUSHING
- 6 SWITCH NUMBERS STAMPED ON END OF BASIC SWITCHES
- 7 TERMINAL DESIGNATION STAMPED ON BOTH SIDES OF UNIT
- 8 OPERATING FORCE 1-5 LB WHEN APPLIED .125±.030 FROM TOP OF THE LEVER
- 9 HARDWARE FURNISHED ASSEMBLED WITH SWITCH OR IN PACKET 15PA313-AT PER MIL-PRF-8805
- 10 CONTACT HONEYWELL-MICRO SWITCH IF INFORMATION ON LOW ENERGY LOADS IS REQUIRED OR FOR HELP WITH SPECIFIC APPLICATIONS
- 11 - REPLACEMENT MOUNTING HARDWARE PACKET 15PA313-AT

SPECIFICATION DETAILS:	
STANDARD:	
CONSTRUCTION:	
ENCLOSURE DESIGN	UNSEALED
CONTACT MATERIAL & CONFIGURATION	SW 1 & 3 24K GOLD OVERLAY CONTACTS 23SX CONSTRUCTION SW 2 & 4 SOLID SILVER CONTACTS 21SX CONSTRUCTION
CIRCUIT CONFIGURATION	
TERMINATION	-H58
WEIGHT	1 LB MAX
EXPOSED METALS	CORROSION RESISTANT AS NOTED
ELECTRICAL CHARACTERISTICS:	
CONTACT ARRANGEMENT	4X S.P.D.T.
SWITCH NO. 1 AND 3	SWITCH NO. 2 AND 4
INDUCTIVE --- SEA LEVEL --- .5 AMP	INDUCTIVE --- SEA LEVEL --- 4 AMP
RESISTIVE --- SEA LEVEL --- 1 AMP	RESISTIVE --- SEA LEVEL --- 7 AMP
MAX INRUSH --- 2 AMP	115 VOLTS AC RATING AT SEA LEVEL INDUCTIVE AND RESISTIVE --- 7 AMP
DIELECTRIC STRENGTH & INSULATION RES (BASIC SWITCH)	DIELECTRIC STRENGTH INSULATION RESISTANCE (≈ 60 Hz FOR 5 SECONDS) (500 VDC ±10%)
-BETWEEN TERMINALS AND EXPOSED NON-CURRENT CARRYING METAL	1000 V Rms, 500 A (MAX LEAKAGE) 1000 Megohms MIN
-BETWEEN TERMINALS OF MUTUALLY INSULATED CIRCUITS	1000 V Rms, 500 A (MAX LEAKAGE) 1000 Megohms MIN
-BETWEEN ALL UNCONNECTED TERMINALS OF THE SAME POLE	1000 V Rms, 500 A (MAX LEAKAGE) 1000 Megohms MIN
SWITCH RESISTANCE	N/A
RECOMMENDATION OR USE IN APPL LESS THAN .5 amps AND/OR 12 volts	10
MECHANICAL CHARACTERISTICS:	
ACTUATOR STRENGTH	25 LB
MOUNTING STRENGTH	25 LB
LIFE:	
MECHANICAL LIFE	50,000 MIN
ELECTRICAL LIFE AT FULL RATED LOAD	25,000 MIN
ENVIRONMENTAL:	
TEMPERATURE RANGE	-55° C TO +85° C
ALTITUDE RANGE	SEA LEVEL TO 50,000 FT
SHOCK	100 G
VIBRATION	10-500 Hz
MOISTURE RESISTANCE	UNSEALED
THERMAL SHOCK	N/A
SALT SPRAY	N/A
NOTE: INDUCTIVE LOADS USE AN3179-6 INDUCTOR, 115 VAC AT 75% PF	

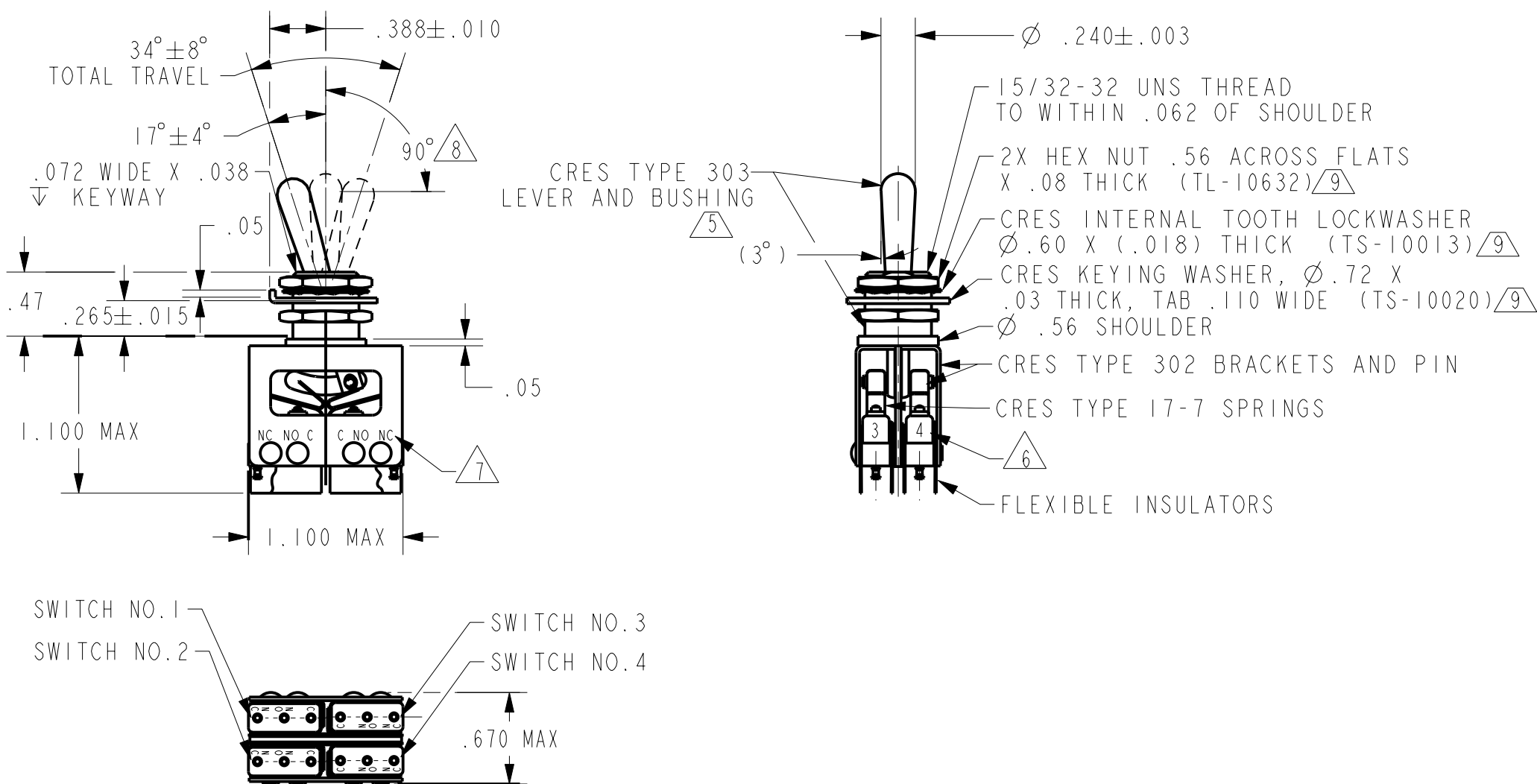
64AT26 SERIES CHART 1
 DRAWING NUMBER
 ISSUE
 REVISIONS
 A 201497 TSM 160CT00
 B 203862 JLR 11SEP01
 C 204179 JLR 160CT01
 D 204763 SLR 24JAN02
 CHECK
 160CT00
 SAV
 CHECK
 160CT00
 P.T.C./CAD [20]
 DRAWN
 TSM
 CHECK
 160CT00
 RELEASE NO. PR-22244
 REPLACES

MICRO SWITCH a Honeywell Division FED. MFG. CODE 91929	ASSEMBLY- TOGGLE SWITCH	CATALOG LISTING
		64AT26 SERIES CHART 1

THIRD ANGLE PROJECTION		
SCALE FULL		
DO NOT SCALE PRINT		
UNLESS OTHERWISE SPECIFIED TOLERANCES ARE		
ONE PLACE	(.0)	±.030
TWO PLACES	(.00)	±.015
THREE PLACES	(.000)	±.005
ANGLES		±
WEIGHT .07 LB EST		

CATALOG LISTING	KEYWAY POSITION		CENTER POSITION		OPPOSITE KEYWAY POSITION	
	C-NC	C-NO	C-NO	C-NC	C-NC	C-NO
64AT26-1	1 & 2	3 & 4	NONE	ALL	3 & 4	1 & 2
64AT26-3	1 & 2	3 & 4	NONE	NONE	3 & 4	1 & 2
64AT26-5	1 & 2*	3 & 4*	NONE	ALL	3 & 4	1 & 2
64AT26-7	1 & 2*	3 & 4*	NONE	ALL	3 & 4*	1 & 2*
64AT26-514	1 & 2	3 & 4	NONE	ALL	3 & 4*	1 & 2*

* ASTERISK DENOTES MOMENTARY POSITION



NOTES

- SWITCHES MARKED 1 & 3 HAVE 24K SOLID GOLD OVERLAY CONTACTS "23SX" TYPE BASIC SWITCH (MEETS REQUIREMENTS OF MIL-PRF-8805)
 - SWITCHES MARKED 2 & 4 HAVE SOLID SILVER CONTACTS "21SX" TYPE BASIC SWITCH (MEETS REQUIREMENTS OF MIL-PRF-8805)
 - SWITCHES DO NOT NECESSARILY OPERATE SIMULTANEOUSLY
 - PLATED TERMINALS WILL ACCEPT AMPS INC Ø .058 PIN RECEPTACLES
- 5 DULL FINISH ON LEVER AND BUSHING
 6 SWITCH NUMBERS STAMPED ON END OF BASIC SWITCHES
 7 TERMINAL DESIGNATION STAMPED ON BOTH SIDES OF UNIT
 8 OPERATING FORCE 1-5 LB WHEN APPLIED .125±.030 FROM TOP OF THE LEVER
 9 HARDWARE FURNISHED ASSEMBLED WITH SWITCH OR IN PACKET 15PA313-AT PER MIL-PRF-8805
 10 CONTACT HONEYWELL-MICRO SWITCH IF INFORMATION ON LOW ENERGY LOADS IS REQUIRED OR FOR HELP WITH SPECIFIC APPLICATIONS
 11 REPLACEMENT MOUNTING HARDWARE PACKET 15PA313-AT

SPECIFICATION DETAILS:	
STANDARD:	
CONSTRUCTION:	
ENCLOSURE DESIGN	UNSEALED
CONTACT MATERIAL & CONFIGURATION	SW 1 & 3 24K GOLD OVERLAY CONTACTS 23SX CONSTRUCTION SW 2 & 4 SOLID SILVER CONTACTS 21SX CONSTRUCTION
CIRCUIT CONFIGURATION	
TERMINATION	-H58
WEIGHT	1 LB MAX
EXPOSED METALS	CORROSION RESISTANT AS NOTED
ELECTRICAL CHARACTERISTICS:	
CONTACT ARRANGEMENT	4X S.P.D.T.
SWITCH NO. 1 AND 3	SWITCH NO. 2 AND 4
INDUCTIVE --- SEA LEVEL --- .5 AMP	INDUCTIVE --- SEA LEVEL --- 4 AMP
RESISTIVE --- SEA LEVEL --- 1 AMP	RESISTIVE --- SEA LEVEL --- 7 AMP
MAX INRUSH --- 2 AMP	115 VOLTS AC RATING AT SEA LEVEL INDUCTIVE AND RESISTIVE --- 7 AMP
DIELECTRIC STRENGTH & INSULATION RES (BASIC SWITCH)	DIELECTRIC STRENGTH INSULATION RESISTANCE (≈ 60 Hz FOR 5 SECONDS) (500 VDC ±10%)
-BETWEEN TERMINALS AND EXPOSED NON-CURRENT CARRYING METAL	1000 V Rms, 500 A (MAX LEAKAGE) 1000 Megohms MIN
-BETWEEN TERMINALS OF MUTUALLY INSULATED CIRCUITS	1000 V Rms, 500 A (MAX LEAKAGE) 1000 Megohms MIN
-BETWEEN ALL UNCONNECTED TERMINALS OF THE SAME POLE	1000 V Rms, 500 A (MAX LEAKAGE) 1000 Megohms MIN
SWITCH RESISTANCE	N/A
RECOMMENDATION OR USE IN APPL LESS THAN .5 amps AND/OR 12 volts	10
MECHANICAL CHARACTERISTICS:	
ACTUATOR STRENGTH	25 LB
MOUNTING STRENGTH	25 LB
LIFE:	
MECHANICAL LIFE	50,000 MIN
ELECTRICAL LIFE AT FULL RATED LOAD	25,000 MIN
ENVIRONMENTAL:	
TEMPERATURE RANGE	-55° C TO +85° C
ALTITUDE RANGE	SEA LEVEL TO 50,000 FT
SHOCK	100 G
VIBRATION	10-500 Hz
MOISTURE RESISTANCE	UNSEALED
THERMAL SHOCK	N/A
SALT SPRAY	N/A
NOTE: INDUCTIVE LOADS USE AN3179-6 INDUCTOR, 115 VAC AT 75% PF	

64AT26 SERIES CHART 1
 DRAWING NUMBER
 6
 ISSUE
 REVISIONS
 A 201497 TSM 160CT00
 B 203862 JLR 11SEP01
 C 204179 LJR 160CT01
 D 204763 SLR 24JAN02
 E 205032 SLR 6MAR02
 CHECKED
 160CT00
 SAV
 CHECKED
 160CT00
 P.T.C./CAD [20]
 DRAWN
 TSM
 160CT00
 CHECKED
 SAV
 CHECKED
 160CT00
 RELEASE NO. PR-22244
 REPLACES
 PAGE 1 OF 1

THIS DRAWING COVERS A PROPRIETARY ITEM AND IS THE PROPERTY OF MICRO SWITCH, A DIVISION OF HONEYWELL. THIS DRAWING IS NOT TO BE COPIED OR USED WITHOUT THE APPROVAL OF MICRO SWITCH.

MICRO SWITCH
a Honeywell Division

ASSEMBLY-TOGGLE SWITCH

CATALOG LISTING
64AT26 SERIES CHART 1

ANSI Y14.5M-1982 APPLIES
FED. MFG. CODE 91929

THIRD ANGLE PROJECTION		
SCALE FULL		
DO NOT SCALE PRINT		
UNLESS OTHERWISE SPECIFIED TOLERANCES ARE		
ONE PLACE	(.0)	±.030
TWO PLACES	(.00)	±.015
THREE PLACES	(.000)	±.005
ANGLES		±
WEIGHT .07 LB EST		

X-ON Electronics

Largest Supplier of Electrical and Electronic Components

Click to view similar products for [Toggle Switches](#) category:

Click to view products by [Honeywell](#) manufacturer:

Other Similar products are found below :

[A19HV](#) [8A1-C-222](#) [60012L](#) [6006L](#) [6663](#) [7101MD9V30GE](#) [7101SPDV30BE](#) [7103SDV30BE](#) [7105D](#) [7108P3YAV2BE](#) [71YY50282](#)
[7201MD9AVBE](#) [7301K38](#) [7306K36](#) [7310K36](#) [7314K36](#) [7506K4](#) [7592K6](#) [7691K14](#) [7700K1](#) [8396K108](#) [8824K14](#) [8828K13](#) [G3VX](#) [PS83-](#)
[121G](#) [A101MD9AB04](#) [A101SD9AB04](#) [A101SDCQ04](#) [A103SD9AQ04](#) [A107TZB04](#) [A123P32YZQ](#) [A123S1YZG](#) [A127S1YCQ](#) [1-1825192-](#)
[0](#) [A131S1YZQ](#) [A201SCWZB04](#) [A207SYCB04](#) [A208J61ZQ0004](#) [A221K12KAG](#) [A221S1YZQ](#) [A221T1TCQ](#) [A232K12KZQ](#) [A232M1YCQ](#)
[A323S1CWZQ](#) [A423S1YZQ](#) [12149A-3V](#) [12156AX408](#) [12147AGKX679](#) [12149AD2G0383VX408](#) [12246X778](#)