

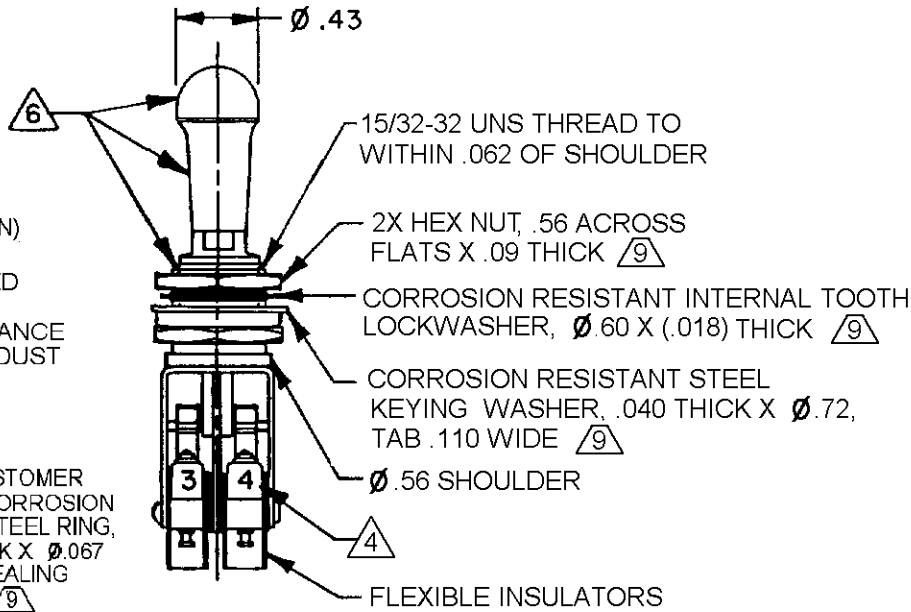
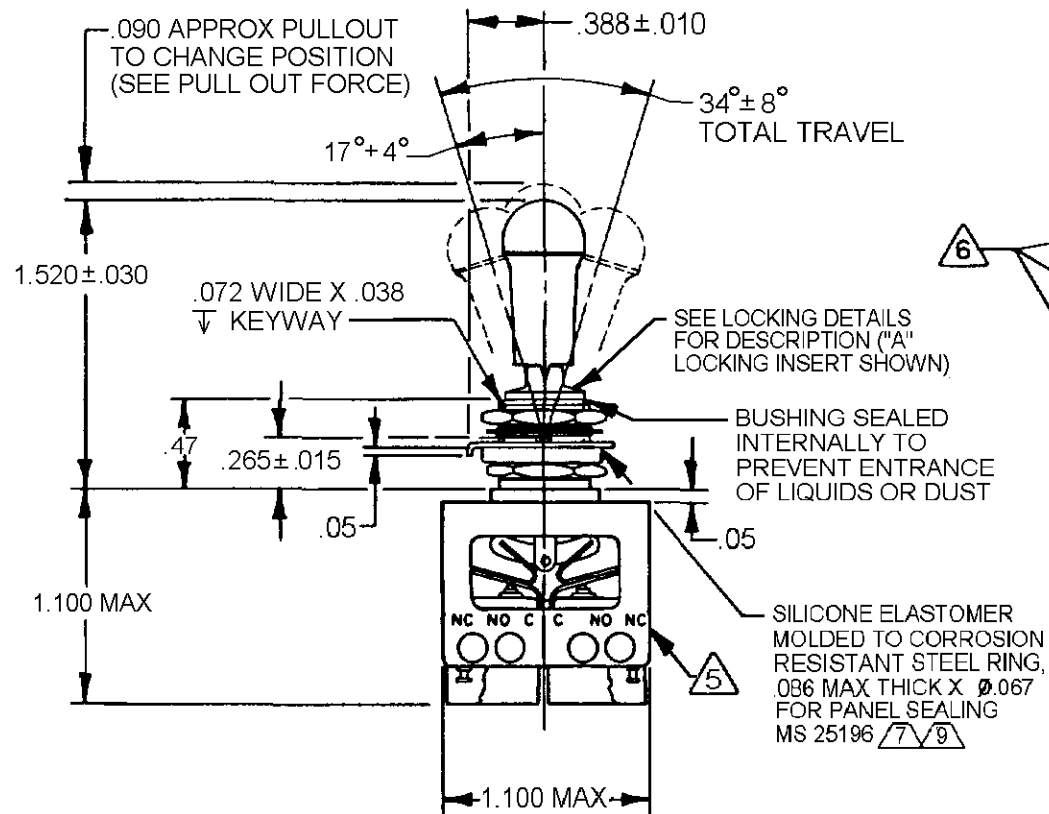
MICRO SWITCH
 FREEPORT ILLINOIS U.S.A.
 A DIVISION OF HONEYWELL
 FED. MFG. CODE 81929

**ASSEMBLY -
 TOGGLE SWITCH**

CATALOG LISTING
64AT300 SERIES
CHART 2

CATALOG LISTING ⁸	KEYWAY POSITION		CENTER POSITION		OPPOSITE KEYWAY POSITION		RECOMMENDED LOCKING COMBINATIONS
	C-NC	C-NO	C-NO	C-NC	C-NC	C-NO	
64AT300-1	1, 2	3, 4	NONE	ALL	3, 4	1, 2	A,B,D,E,F,G,H,J,K,L,M,N,P
64AT300-3	1, 2	3, 4	NONE	NONE	3, 4	1, 2	D,F,G
64AT300-5	1, 2 *	3, 4 *	NONE	ALL	3, 4	1, 2	E,F,K,L,M,N
64AT300-7	1, 2 *	3, 4 *	NONE	ALL	3, 4 *	1, 2 *	E,L,N

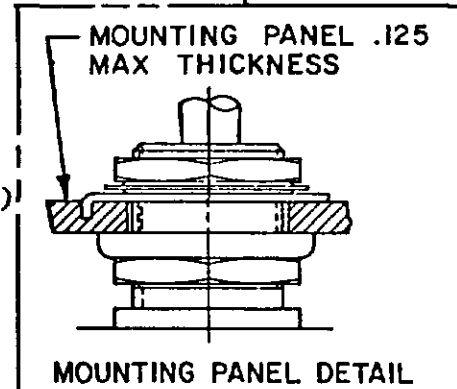
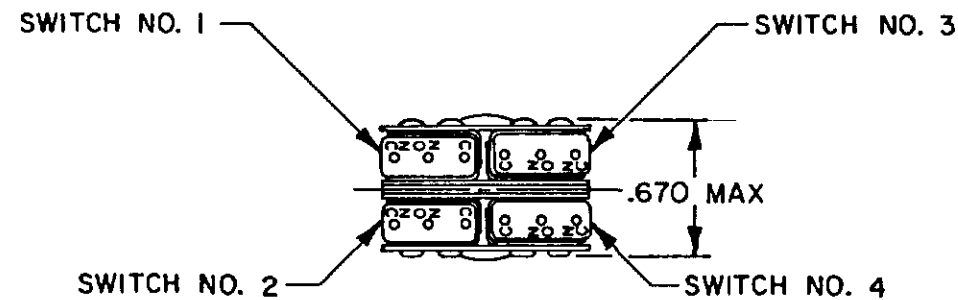
* ASTERISK DENOTES MOMENTARY POSITION



"A" LOCKED IN THREE POSITIONS	"B" LOCKED IN CENTER AND EXTREME POSITION (KEYWAY SIDE)	"D" LOCKED OUT OF CENTER POSITION	"E" LOCKED IN CENTER POSITION
"F" LOCKED IN EXTREME POSITION (OPPOSITE KEYWAY)	"G" LOCKED IN EXTREME POSITION (KEYWAY SIDE)	"H" LOCKED OUT OF CENTER AND EXTREME POSITION (KEYWAY SIDE)	"J" LOCKED OUT OF CENTER AND EXTREME POSITION (OPPOSITE KEYWAY)
"K" LOCKED IN CENTER AND EXTREME POSITION (OPPOSITE KEYWAY)	"L" LOCKED OUT OF EXTREME POSITION (KEYWAY SIDE)	"M" LOCKED OUT OF AND INTO EXTREME POSITION (OPPOSITE KEYWAY)	"N" LOCKED OUT OF EXTREME POSITION (OPPOSITE KEYWAY)
			"P" LOCKED OUT OF AND INTO EXTREME POSITION (KEYWAY SIDE)

NOTES

- 1 - UNIT INCLUDES 4X "SX" TYPE BASIC SWITCH (MEETS REQUIREMENTS OF MIL-PRF-8805/4)
- 2 - SWITCHES DO NOT NECESSARILY OPERATE SIMULTANEOUSLY
- 3 - TERMINALS ARE PLATED FOR SOLDERING
- 4 SWITCH NUMBERS MARKED ON END OF BASIC SWITCHES
- 5 TERMINAL DESIGNATION STAMPED ON BOTH SIDES OF UNIT
- 6 DULL FINISH ON BUTTON, LEVER AND BUSHING
- 7 FOR PANEL SEAL TO BE EFFECTIVE MOUNTING HOLE IN PANEL SHOULD NOT EXCEED Ø.500
- 8 SUFFIX LETTER MUST BE ADDED FOR DESIRED TYPE TOGGLE LOCKING (SEE CHART FOR RECOMMENDED LOCKING COMBINATIONS)
- 9 HARDWARE FURNISHED ASSEMBLED WITH SWITCH OR IN PACKET PER MIL-PRF-8805
- 10 - REPLACEMENT MOUNTING HARDWARE PACKET 15PA314-AT



**64AT300 SERIES
 CHART 2**

M

DRAWING NUMBER

5

ISSUE

5

REVISIONS

A	CO58771	KAG	14 FEB 85
B	CO72702	LJF	7 JUN 92
C	CO81168	JALA	12 OCT 95
D	205421	DLT	26 APR 02

CHECK

1 MAR 82

CHECK

1 MAR 82

CHECK

1 MAR 82

CHECK

1 MAR 82

CHECK

1 MAR 82

CHECK

1 MAR 82

CHECK

1 MAR 82

CHECK

1 MAR 82

CHECK

1 MAR 82

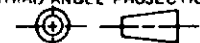
CHECK

1 MAR 82

ANSI Y14.5M-1982 APPLIES

THIS DRAWING COVERS A PROPRIETARY ITEM AND IS THE PROPERTY OF MICRO SWITCH, A DIVISION OF HONEYWELL. THIS DRAWING IS NOT TO BE COPIED OR USED WITHOUT THE APPROVAL OF MICRO SWITCH.

THIRD ANGLE PROJECTION



SCALE FULL

DO NOT SCALE PRINT

TOLERANCES

APPLY TO DESIGN UNITS. CONVERSIONS ARE ONLY FOR REFERENCE UNLESS NOTED. TOLERANCES ARE ±

DIM	TOL	DIM	TOL
IN	IN	MM	MM
NO PLACES	± 1/64	NO PLACES	± 0.075
ONE PLACE	± 0.001	ONE PLACE	± 0.025
TWO PLACES	± 0.0005	TWO PLACES	± 0.0125
THREE PLACES	± 0.0002	THREE PLACES	± 0.00625
ANGLES	± 15'	ANGLES	± 15'

DESIGN UNITS METRIC US CUSTOMARY

RAW MATERIAL - COMMERCIAL STANDARD MICRO SWITCH STANDARDS APPLY

DIMENSIONS ARE TO BE MET BEFORE PROTECTIVE COATINGS ARE APPLIED

WEIGHT .09 LB EST

CHARACTERISTICS

PULLOUT FORCE --- 3 LB MIN - 5 LB MAX

ELECTRICAL DATA

CONTACT ARRANGEMENT

4X SPDT

ELECTRICAL RATINGS

LOAD	SEA LEVEL		50,000 FT
	28 Vdc (AMPERES)	115 Vac, 60 Hz (AMPERES)	28 Vdc (AMPERES)
RESISTIVE	7	7	4
INDUCTIVE	4	7	2.5

X-ON Electronics

Largest Supplier of Electrical and Electronic Components

Click to view similar products for [Toggle Switches](#) category:

Click to view products by [Honeywell](#) manufacturer:

Other Similar products are found below :

[A19HV](#) [8A1-C-222](#) [60012L](#) [6006L](#) [6663](#) [7101MD9V30GE](#) [7101SPDV30BE](#) [7103SDV30BE](#) [7105D](#) [7108P3YAV2BE](#) [71YY50282](#)
[7201MD9AVBE](#) [7301K38](#) [7306K36](#) [7310K36](#) [7314K36](#) [7506K4](#) [7592K6](#) [7691K14](#) [7700K1](#) [8396K108](#) [8824K14](#) [8828K13](#) [G3VX](#) [PS83-](#)
[121G](#) [A101MD9AB04](#) [A101SD9AB04](#) [A101SDCQ04](#) [A103SD9AQ04](#) [A107TZB04](#) [A123P32YZQ](#) [A123S1YZG](#) [A127S1YCQ](#) [1-1825192-](#)
[0](#) [A131S1YZQ](#) [A201SCWZB04](#) [A207SYCB04](#) [A208J61ZQ0004](#) [A221K12KAG](#) [A221S1YZQ](#) [A221T1TCQ](#) [A232K12KZQ](#) [A232M1YCQ](#)
[A323S1CWZQ](#) [A423S1YZQ](#) [12149A-3V](#) [12156AX408](#) [12147AGKX679](#) [12149AD2G0383VX408](#) [12246X778](#)