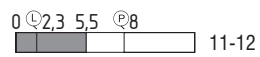


11-12



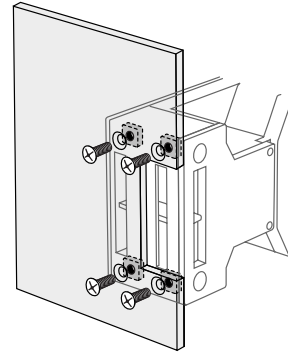
1. Safety switches with separate actuator / Class 2

1.1 AZ 15 range



Version with M5 nuts

- For front fixing of safety switch, e.g. on sheet-steel covers
- Suitable for use with actuators AZ 15/16-B1, -B2, -B3 and -B6
- Nuts cannot be retrofitted
- Ordering suffix -1762



Ordering details

To order, select the part number of the desired switch from the table "Contacts/Switch travel", e.g. safety switch with latching force 30 N: AZ 15zvrk

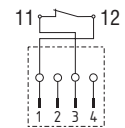
Actuators and accessories are ordered separately, e.g. straight actuator with magnetic latch: AZ 15/16-B1-1747

The applicable ordering suffix is added at the end of the part number of the safety switch. Further variants not shown here are available on enquiry.

Plug-in connection

- Available with connector M 12 x 1, ordering suffix -ST
- For suitable connector plugs, see 1.5

Diagram



Info

- With cable entry M 16 x 1.5, ordering suffix -M16
- Available with 5 N latching force, ordering suffix -2254
- With gold-plated contacts (0.3 µm), ordering suffix -1637
- Alignment kit to simplify fitting, part number: Alignment kit AZ 15/16

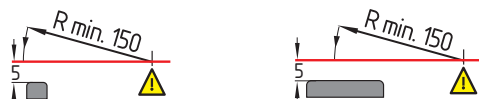
Approvals



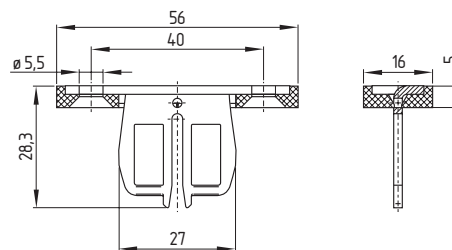


Straight actuator AZ 15/16-B1

- Particularly suitable for sliding doors
- Minimum actuating radius on hinged guards 150 mm

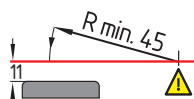


- The axis of the hinge should be 5 mm above the top edge of the safety switch and in the same plane

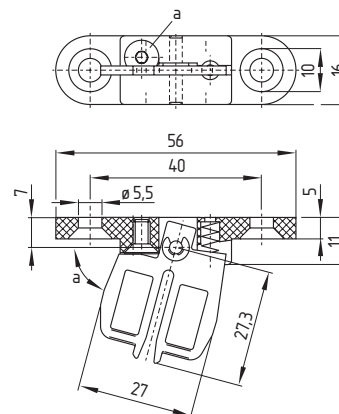


Adjustable actuator AZ 15/16-B2

- For very small actuating radii in line with the plane of the actuator
- Actuating radius adjustable, minimum 45 mm, using an hexagonal key wrench 2.5 mm A/F (a)



- The axis of the hinge should be 11 mm above the top edge of the safety switch and in the same plane

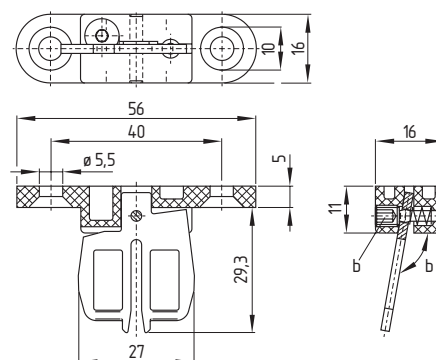


Adjustable actuator AZ 15/16-B3

- For very small actuating radii at 90° to the plane of the actuator
- Actuating radius adjustable, minimum 32 mm, using an hexagonal key wrench 2.5 mm A/F (b)



- The axis of the hinge should be 11 mm above the top edge of the safety switch and in the same plane



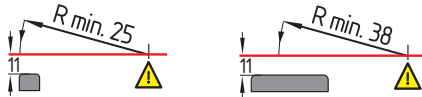
1. Safety switches with separate actuator / Class 2

1.4 Actuators

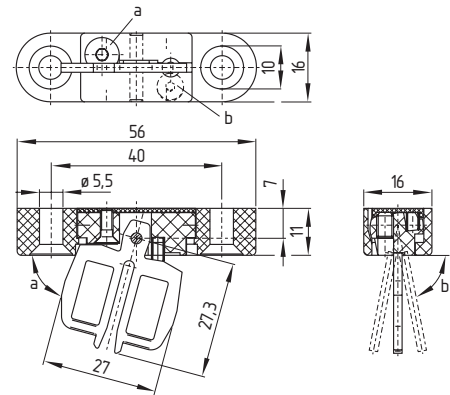


Adjustable actuator AZ 15/16-B6

- For very small actuating radii in line with or at 90° to the plane of the actuator
- Actuating radius adjustable using an hexagonal key wrench 2.5 mm A/F (a and b), minimum 25 mm at 90° to the plane of the actuator and minimum 38 mm in line with the plane of the actuator

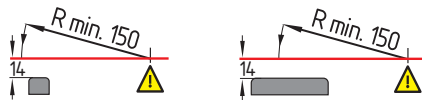


- The axis of the hinge should be 11 mm above the top edge of the safety switch and in the same plane

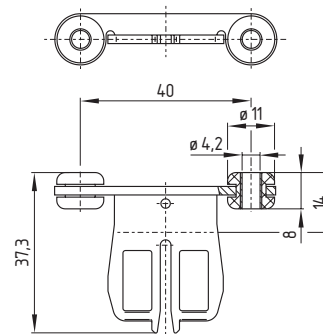


Straight actuator with rubber mountings AZ 15/16-B1-2245

- Particularly suitable for sliding doors
- Minimum actuating radius on hinged guards 150 mm
- Damps vibration on guard devices



- The axis of the hinge should be 14 mm above the top edge of the safety switch and in the same plane
- Max. 200 Ncm tightening torque for fixing the actuator



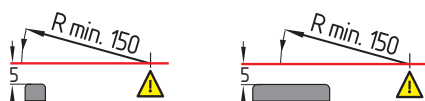
1. Safety switches with separate actuator / Class 2

1.4 Actuators

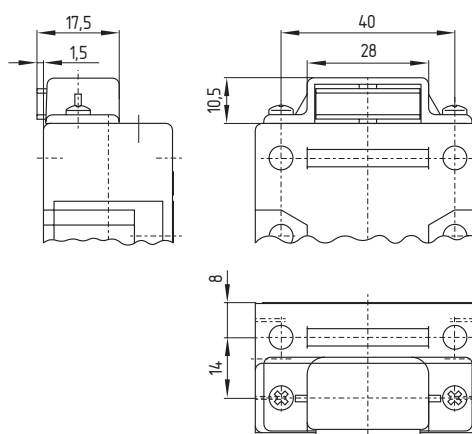
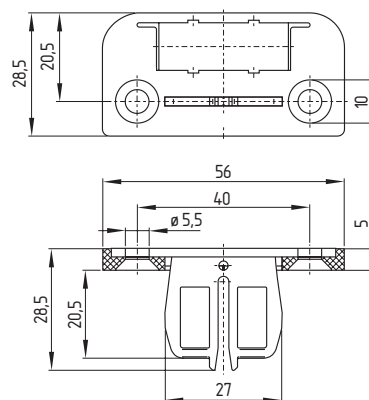
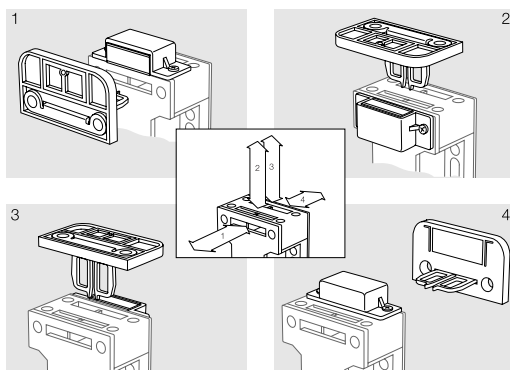


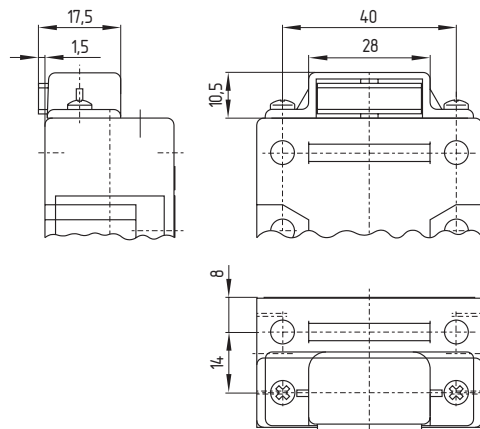
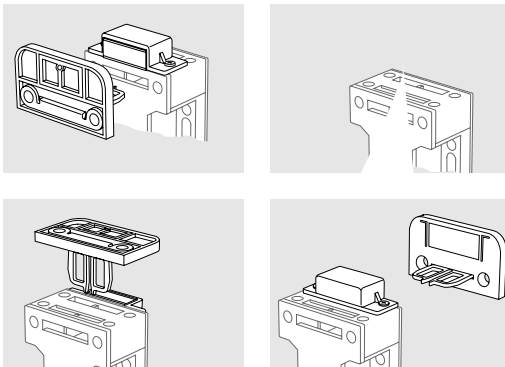
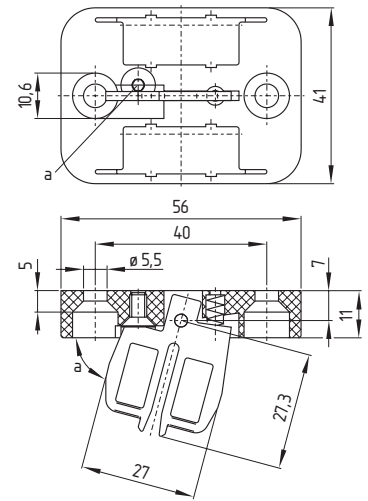
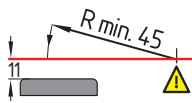
Straight actuator with magnetic latch AZ 15/16-B1-1747

- For play-free interlocking of light guards
- Latching force 30 N
- The magnetic latch can be easily fitted in any actuating plane
- Suitable for retrofitting
- Particularly suitable for sliding doors
- Minimum actuating radius on hinged guards 150 mm



- The axis of the hinge should be 5 mm above the top edge of the safety switch and in the same plane





1. Safety switches with separate actuator / Class 2

1.4 Actuators

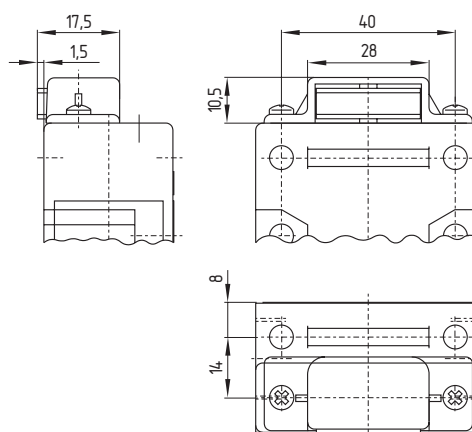
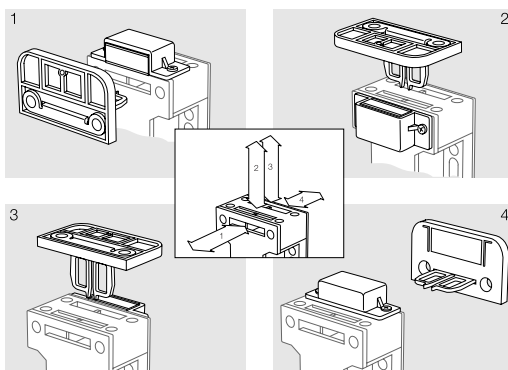
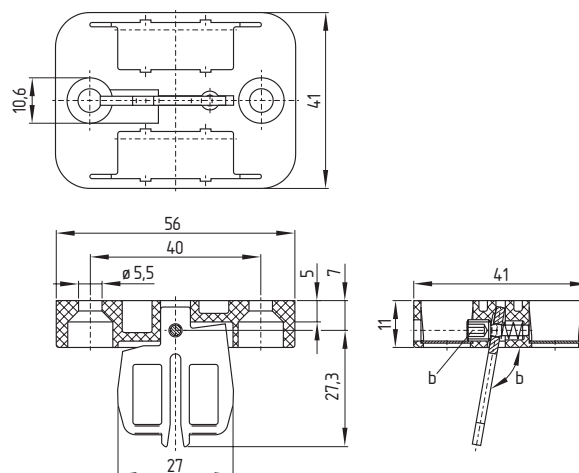


Adjustable actuator with magnetic latch AZ 15/16-B3-1747

- For play-free interlocking of light guards
- Latching force 30 N
- The magnetic latch can be easily fitted in any actuating plane
- Suitable for retrofitting
- For very small actuating radii at 90° to the plane of the actuator
- Actuating radius adjustable, minimum 32 mm, using an hexagonal key wrench 2.5 mm A/F (b)



- The axis of the hinge should be 11 mm above the top edge of the safety switch and in the same plane



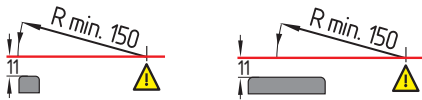
1. Safety switches with separate actuator / Class 2

1.4 Actuators

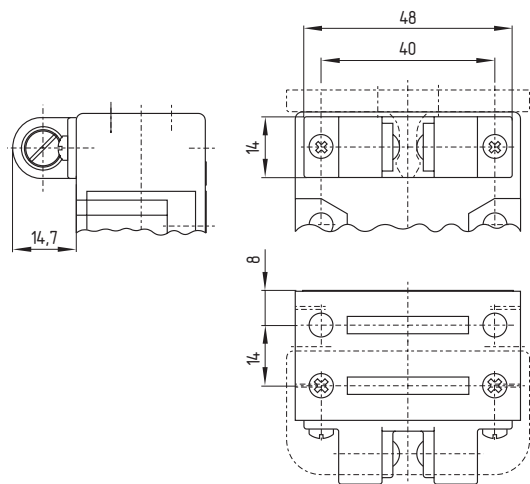
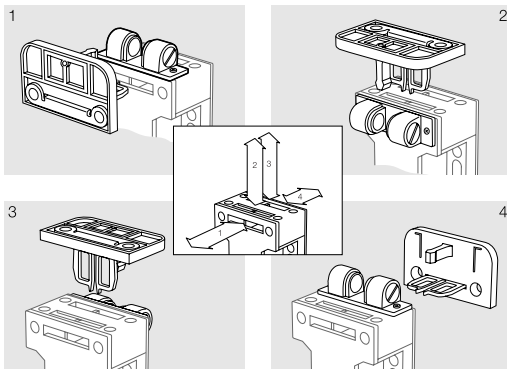
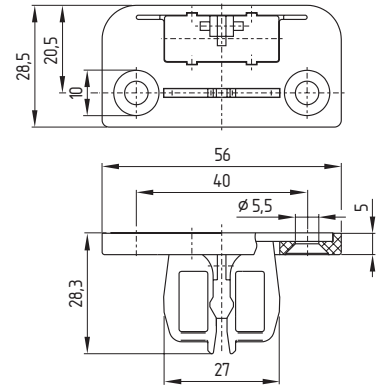


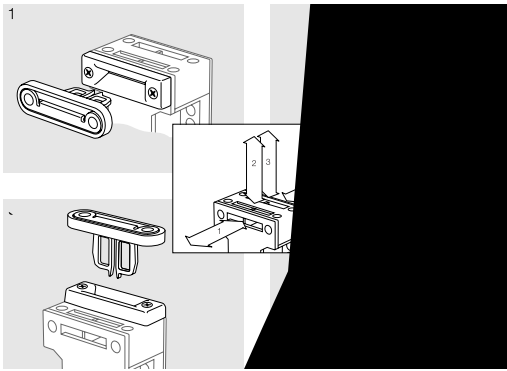
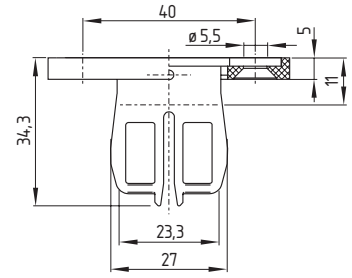
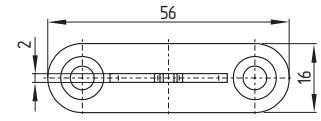
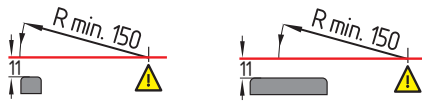
Straight actuator with ball latch AZ 15/16-B1-2053

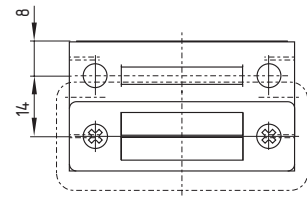
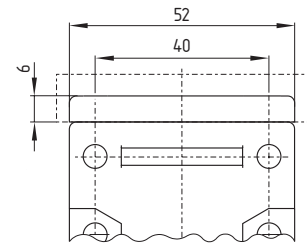
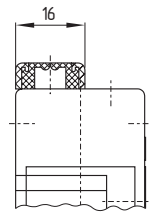
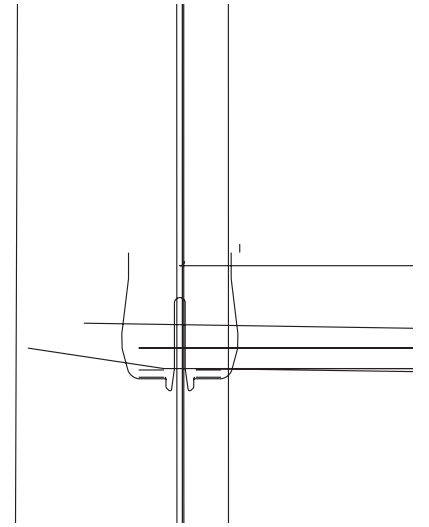
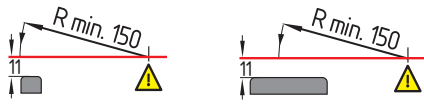
- For interlocking of light to medium-weight guards
- Latching force adjustable up to 100 N
- Particularly suitable for sliding doors
- Minimum actuating radius on hinged guards
150 mm



- The axis of the hinge should be 11 mm above the top edge of the safety switch and in the same plane



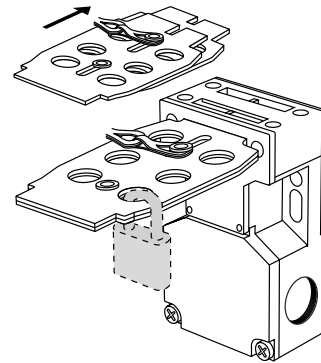






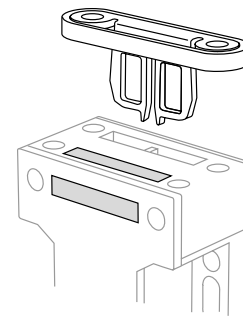
Lockout tag SZ 16/335

- To prevent inadvertent closing, e.g. during maintenance
- For complex plant
- Prevents actuation of the switch
- Up to 6 padlocks can be fitted
- The lockout tag can be fixed on a chain near to the safety switch



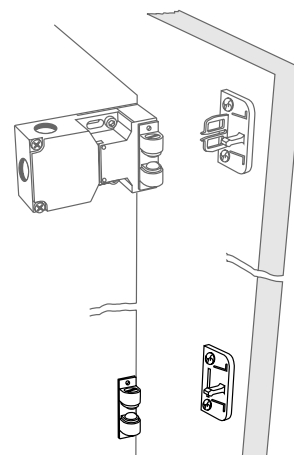
Slot sealing plug AZ 15/16-1476

- For protection against the ingress of course dirt
- To cover unused actuator slots
- Simple clip-in fitting
- Quantity required: 3 per switch



Ball latch 2053-2

- Additional ball latch for stable latching of light to medium-weight guards
- For separate mounting on the guard
- Latching force adjustable up to 100 N





Tamperproof screws



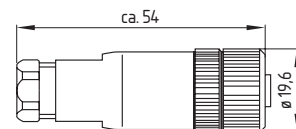
Screw lengths

Countersunk-head screws
M 5 x 12, Id. No.: 402 530 3000
M 5 x 16, Id. No.: 402 530 3001
M 5 x 20, Id. No.: 402 530 3002

Supplied in sets of 2 screws

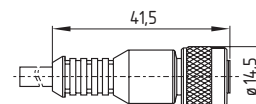
- To mount the actuator
- Higher protection against tampering with interlock
- Protects against unauthorised removal of actuator
- Available in various lengths

Connector plug M 12 x 1 for AZ 16-ST with connector



- Straight connector plug
- Unwired
- A-coding: part number Series 713

Connector plug M 12 x 1 for AZ 16-ST with connector



- Straight connector plug with pre-wired cable
- Cable 5 m long
- Conductors: 4 x 0.75 mm²
- A-coding: part number Series 763

1. Safety switches with separate actuator / Class 2

1.5 Accessories



Mounting set MS AZ 15/16

- For simple mounting on profile systems
- Mounting of the safety switch parallel or right-angled to the safety guard

Hinweis

- The mounting sets can only be used in conjunction with actuator AZ 15/16-B6.
- Safety switch and actuator are **not included** in delivery.

Legend

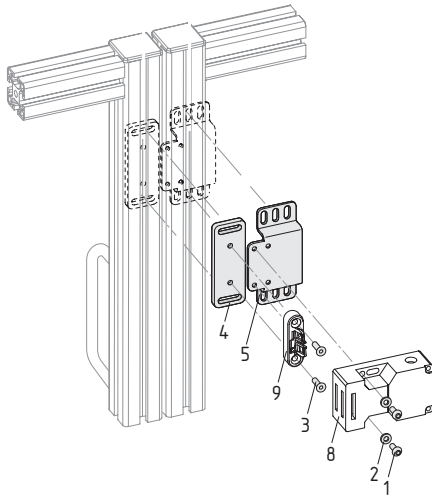
- 1 Roundhead screw M5 x 16 per ISO 7380
- 2 Washer per DIN 125-5,3
- 3 Counter sunk screw M5 x 16 per DIN 7991
- 4 Mounting plate AZ 16/AZM 161
- 5 U-profile AZ 16
- 6 Mounting angle AZ 16
- 7 Roundhead screw M5 x 10 per ISO 7380

Not provided:

- 8 Safety switch AZ 15/16
- 9 Actuator AZ 15/16-B6

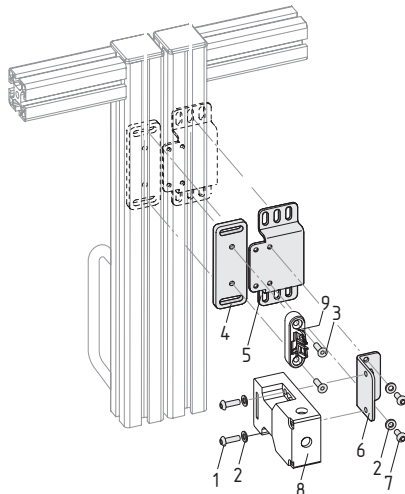
MS AZ 15/16 P

Mounting parallel to safety guard

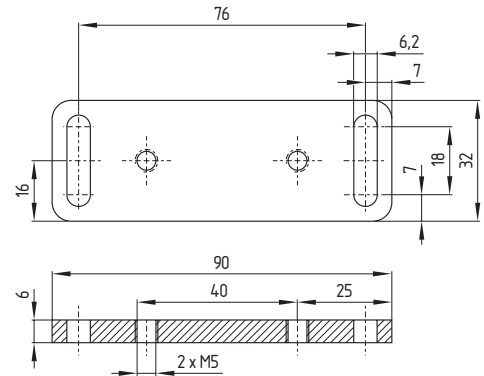


MS AZ 15/16 R/P

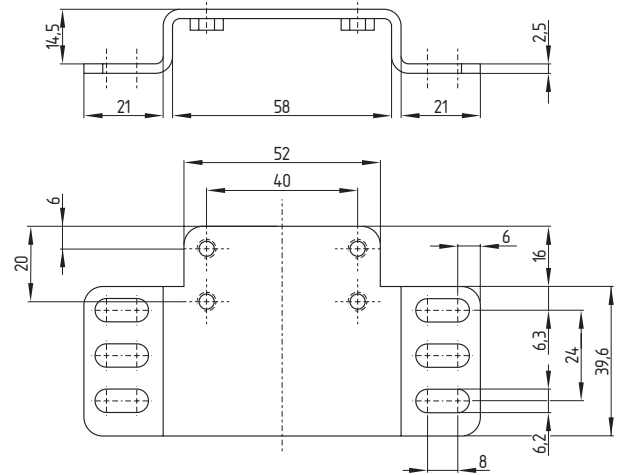
Mounting right-angled to safety guard



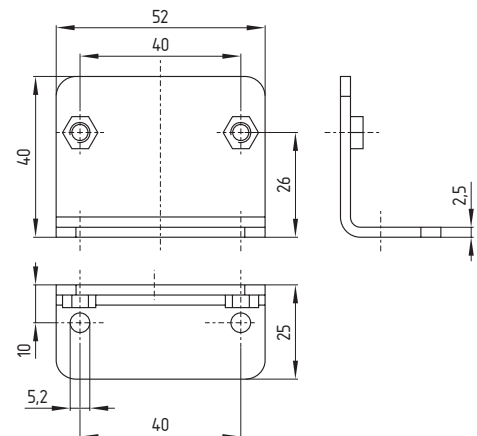
Mounting plate AZ 16/AZM 161



U-profile AZ 16



Mounting angle AZ 16



1. Safety switches with separate actuator / Class 2

1.29 Technical data



	AZ 15 / AZ 16 AZ 16zi	AZ 16-ST AZ 16zi-ST	AZ 17 AZ 17zi
Standards:	IEC/EN 60947-5-1; EN 1088; BG-GS-ET-15		
Enclosure material:	Glass-fibre reinforced thermoplastic, self-extinguishing		
Actuator:	Stainless steel 1.4301		
Protection class:	IP 67 to IEC/EN 60529		
Contact material:	Silver		
Contact type:	Change-over with double break Zb or 2 NC or 3 NC contacts, with galvanically separated contact bridges		Change-over with double break Zb or 2 NC contacts, with galvanically separated contact bridges
Switching system:	⊖ IEC 60947-5-1; ⊕ BG-GS-ET-15; slow action, NC contact with positive break		
Termination:	Screw terminals for max. 2.5 mm ² cables (including conductor ferrules)	Connector M 12 x 1, four pole	Cut clamp (IDC) method 0.75 to 1.0 mm ² , flexible
Rated impulse withstand voltage U _{imp} :	6 kV		4 kV
Rated insulation voltage U _i :	500 V		250 V
Thermal test current I _{th} :	10 A		
Utilisation category:	AC-15; DC-13		AC-15
Rated operating current/voltage I _e /U _e :	4 A/230 VAC; 4 A/24 VDC		4 A/230 V
Max. fuse rating:	6 A gL/gG D-fuse		4 A (slow blow)
Positive break travel:	8 mm		11 mm
Positive break force:	10 N for each NC contact fitted		17 N for each NC contact fitted
Ambient temperature:	- 30 °C ... + 80 °C		
Mechanical life:	> 1 million operations		



X-ON Electronics

Authorized Distributor

Click to view similar products for [Schmersal](#) manufacturer.

Click to view products by [Schmersal](#) manufacturer.

Other Similar products are found below :

[AES113524VDC](#) [AES123524VDC](#) [AZ1516B1](#) [AZ1516B11747](#) [AZ1516B12053](#)

[AZ1516B12053BALLLATCH](#) [AZ1516B2](#) [AZ1516B2](#) [AZ1516B3](#) [AZ1516B3](#) [AZ1516B6](#)

[AZ1516B6](#) [AZ15ZVRK](#) [AZ15ZVRKM20](#) [AZ1602ZVRK](#) [AZ1602ZVRKM20](#)

[AZ1603ZVRK](#) [AZ1612ZVK](#) [AZ1612ZVRK](#) [AZ1612ZVRK2254](#) [AZ1612ZVRKM20](#)

[AZ1612ZVRKM20](#) [AZ16ZVRKM20](#) [AZ16ZVRKM202254](#) [AZ1702ZK](#)