



Features:

- High surge current capability
- Void-free plastic in a DO-41 package
- 1A operation at $T_A = 55^\circ\text{C}$ with no thermal runaway
- Fast switching for high efficiency
- Exceeds environmental standards of MIL-S-19500/228

Specifications:

Mechanical Data:

Case	: Moulded plastic, DO-41
Terminals	: Axial leads, solderable per MIL-STD-202, Method 208
Polarity	: Colour band denotes cathode
Mounting position	: Any
Weight	: 0.012 oz, 0.3g

Maximum Ratings and Electrical Characteristics:

Ratings at 25°C ambient temperature unless otherwise specified.

Single phase, half wave, 60Hz, resistive or inductive load.

For capacitive load, derate current by 20%.

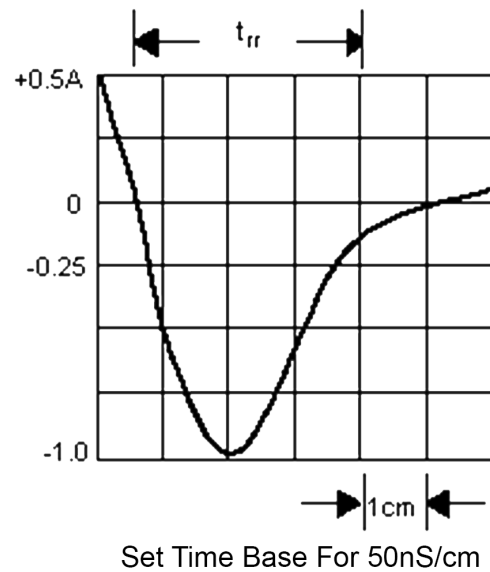
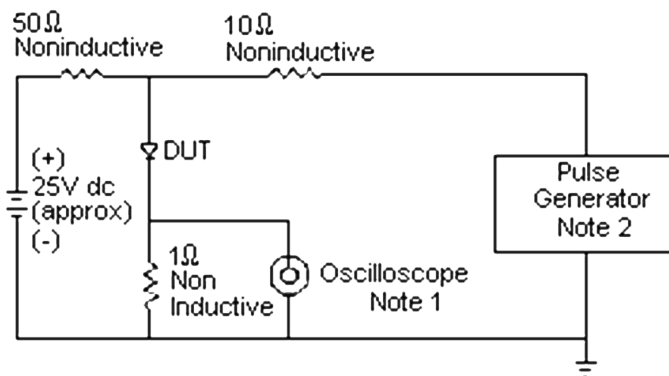
Parameters	BA157	BA159	Units
Maximum Recurrent Peak Reverse Voltage	400	1,000	V
Maximum RMS Voltage	280	700	
Maximum DC Blocking Voltage	400	1,000	
Maximum Average Forward Rectified Current 0.375" (9.5mm) Lead Length at $T_A = 55^\circ\text{C}$	1		A
Peak Forward Surge Current 8.3ms Single Half Sine-Wave Superimposed on Rated Load (JEDEC Method)	30		
Maximum Forward Voltage at 1A	1.3		V
Maximum reverse current $T_J = 25^\circ\text{C}$ at rated DC blocking voltage $T_J = 100^\circ\text{C}$	5 500		μA

Parameters	BA157	BA159	Units
Typical Junction Capacitance (Note 1)	12		pF
Maximum reverse recovery time (Note 2)	150	250	°C/W
Operating and Storage Temperature Range	-50 to +150		°C

Notes:

1. Measured at 1MHz and applied reverse voltage of 4V.
2. Reverse recovery test conditions: $I_F = 0.5A$, $I_R = 1A$, $I_{RR} = 0.25A$.

Ratings and Characteristic Curves



Notes:

1. Rise Time = 7nS maximum Input Impedance = 1MΩ, 22pF
2. Rise Time = 10nS maximum Source Impedance = 50Ω

Figure 1 - Reverse Recovery Time Characteristics and Test Circuit Diagram

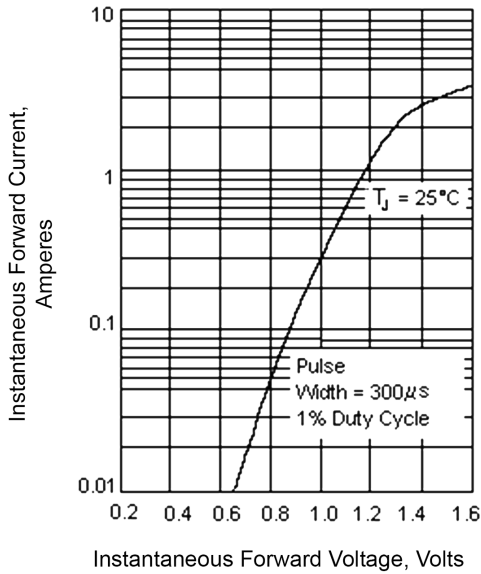


Figure 2 - Typical Instantaneous Forward Characteristics

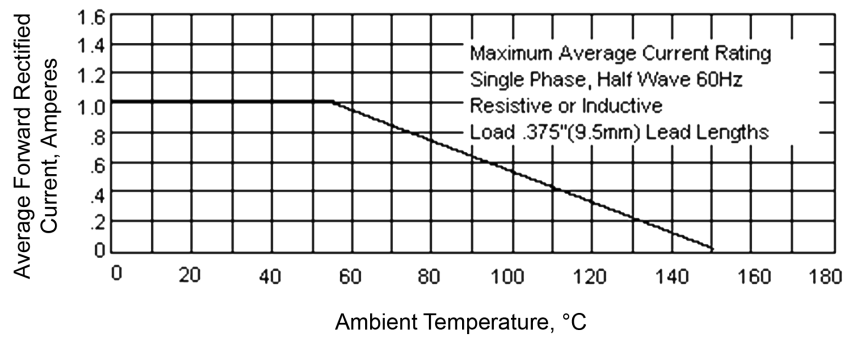


Figure 3 - Forward Current Derating Curve

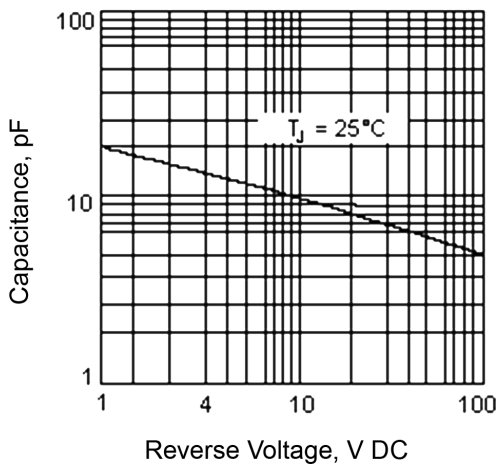


Figure 4 - Typical Junction Capacitance

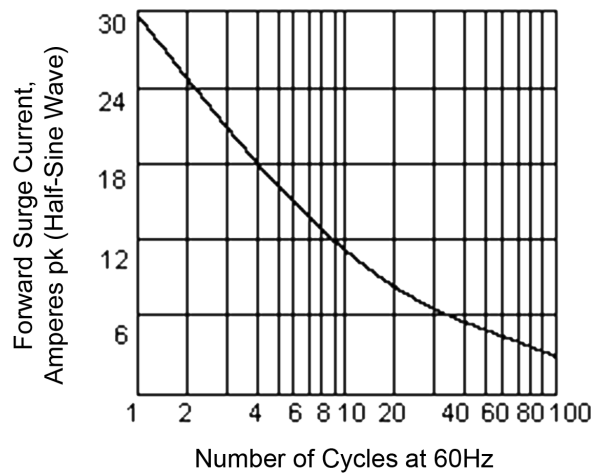
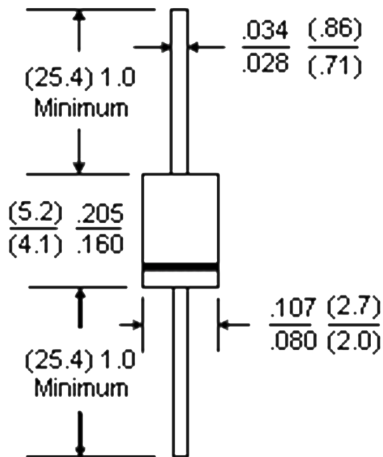


Figure 5 - Peak Forward Surge Current

DO-41



Dimensions : Inches (Millimetres)

Part Number Table

Description	Part Number
Diode, Fast, 1A, 400V	BA157
Diode, Fast, 1A, 1,000V	BA159

Important Notice : This data sheet and its contents (the "Information") belong to the members of the Premier Farnell group of companies (the "Group") or are licensed to it. No licence is granted for the use of it other than for information purposes in connection with the products to which it relates. No licence of any intellectual property rights is granted. The Information is subject to change without notice and replaces all data sheets previously supplied. The Information supplied is believed to be accurate but the Group assumes no responsibility for its accuracy or completeness, any error in or omission from it or for any use made of it. Users of this data sheet should check for themselves the Information and the suitability of the products for their purpose and not make any assumptions based on information included or omitted. Liability for loss or damage resulting from any reliance on the Information or use of it (including liability resulting from negligence or where the Group was aware of the possibility of such loss or damage arising) is excluded. This will not operate to limit or restrict the Group's liability for death or personal injury resulting from its negligence. Multicomp is the registered trademark of the Group. © Premier Farnell plc 2012.

X-ON Electronics

Authorized Distributor

Click to view similar products for [Taiwan Semiconductor](#) manufacturer.

Other Similar products are found below :

[15KE100AR0](#) [15KE100CAR0](#) [15KE100CAR0G](#) [15KE10AR0](#) [15KE11A](#) [15KE11CA](#)
[15KE11CAR0](#) [15KE12AR0](#) [15KE12CAR0](#) [15KE13AR0](#) [15KE15AR0](#) [15KE15CAR0](#)
[15KE160A](#) [15KE160CA](#) [15KE16AR0](#) [15KE16CA](#) [15KE16CAR0](#) [15KE18A](#)
[15KE18AR0](#) [15KE18CA](#) [15KE18CAR0](#) [15KE20A](#) [15KE20CAR0](#) [15KE220AR0](#)
[15KE22A](#)