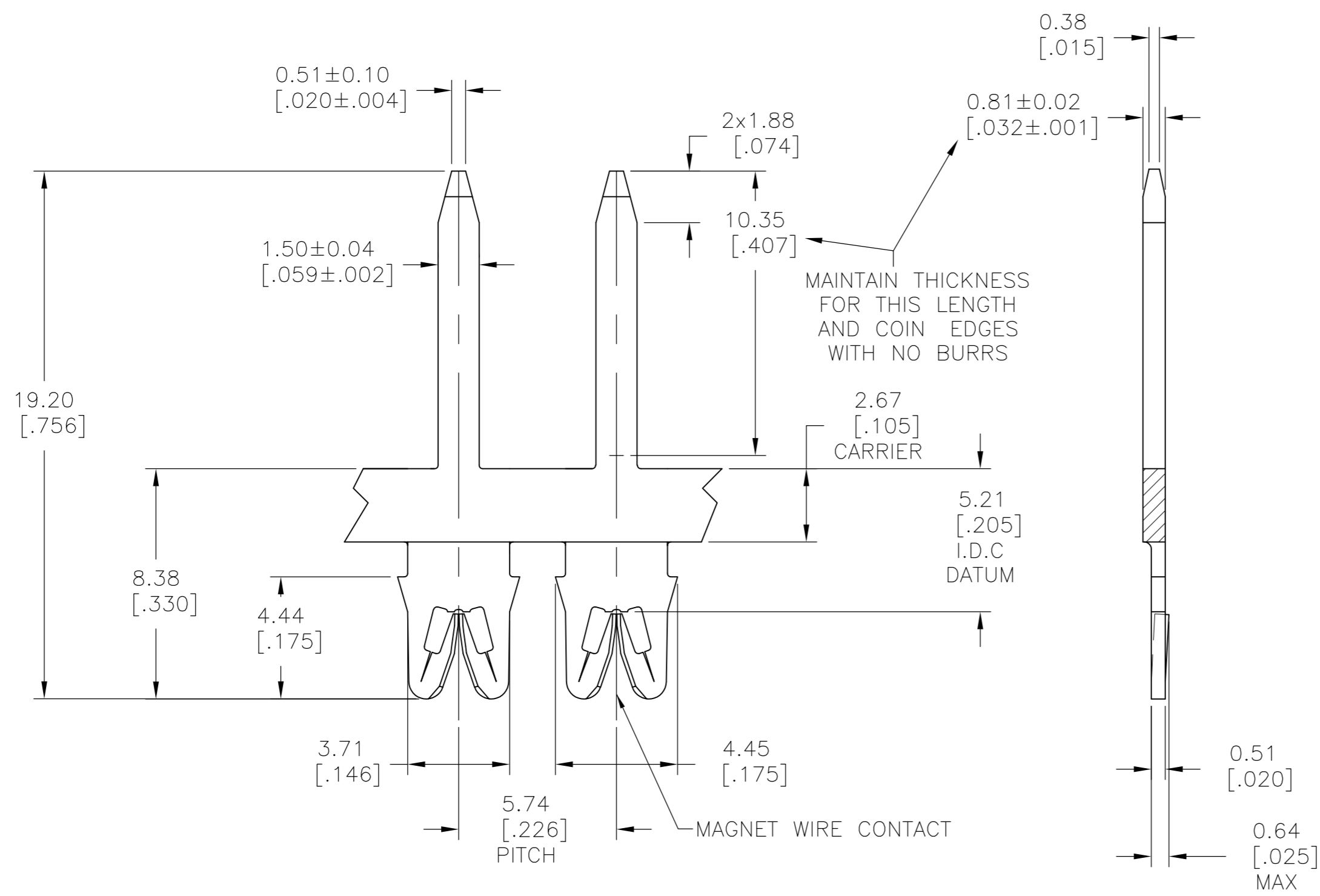
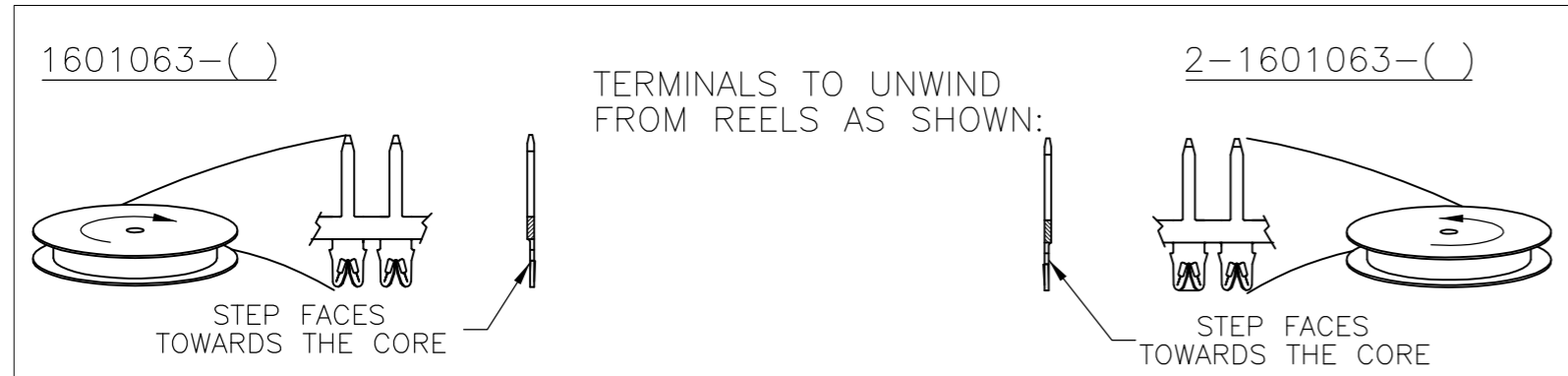
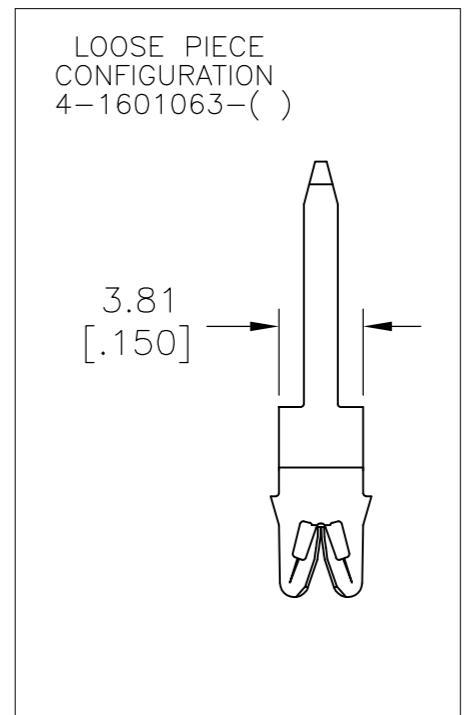


THIS DRAWING IS UNPUBLISHED. RELEASED FOR PUBLICATION
 © COPYRIGHT BY TYCO ELECTRONICS CORPORATION. ALL INTERNATIONAL RIGHTS RESERVED.

LOC		DIST		REVISIONS			
P	LTR	DESCRIPTION		DATE	DWN	APVD	
D2	50	D3	REVISED PER ECR-10-013696	19AUG10	HMR	GJ	



- SPECIFICATIONS:
MAGNET WIRE #18- #34 AWG
1.02 mm(.040)- 0.16 mm(.006) DIA COPPER.
- POCKET RECOMMENDATION: #1601431
- TERMINAL APPLICATION TO COMPLY WITH TYCO ELECTRONICS SPECIFICATION 114-13166 FIGURE 10.
- PRELIMINARY - NOT FOR PREPRODUCTION
- OBSOLETE PARTS: OBSOLETE CIS STREAMLINING PER D.RENAUD/D.SINISI.
- TWO(2) TERMINALS SHOWN FOR ILLUSTRATION PURPOSES ONLY.



	POST TIN OVER NICKEL		4-1601063-3
	POST TIN OVER NICKEL		1601063-3
5	OBsolete	PRE TIN PLATE	031-129-021 4-1601063-2
		PRE TIN PLATE	131-130-021 2-1601063-2
		PRE TIN PLATE	131-129-021 1601063-2
	FINISH	REFERENCE PART NUMBER	TE PART NUMBER
THIS DRAWING IS A CONTROLLED DOCUMENT.		DWN J.WELLER 11JAN2002	Tyco Electronics Corporation Harrisburg, PA 17105-3608
DIMENSIONS: mm [INCHES]		CHK M.FEHER 11JAN2002	
TOLERANCES UNLESS OTHERWISE SPECIFIED:		APVD K.RANDOLPH 11JAN2002	NAME STANDARD RANGE WIRE TO 1.50 X 0.81 TAB SIAMEZE TERMINAL
0 PLC ± -		PRODUCT SPEC 108-2085	
1 PLC ± -		APPLICATION SPEC	SIZE A2
2 PLC ± 0.13[.005]		WEIGHT -	CAGE CODE 00779
3 PLC ± -		FINISH SEE TABLE	DRAWING NO C=1601063
4 PLC ± -			RESTRICTED TO -
ANGLES ± 2°			SCALE 6:1
MATERIAL BRASS, 3/4 HARD			SHEET 1 of 1
		CUSTOMER DRAWING	REV D3

X-ON Electronics

Largest Supplier of Electrical and Electronic Components

Click to view similar products for [Terminals](#) category:

Click to view products by [TE Connectivity](#) manufacturer:

Other Similar products are found below :

[HT-13-10](#) [71M-250-32-NB](#) [01-2065-1-0216](#) [00581P0075](#) [M10-10RX](#) [M10BCK](#) [60205-1](#) [604200-1](#) [60598-1-CUT-TAPE](#) [60617-1-C](#) [60873-1](#) [M14-516R/SK](#) [M14-6RSX](#) [M18-10FLX](#) [M18-8FBX](#) [M18-8R/LX](#) [M18BCK](#) [61314-6-C](#) [61-S](#) [61-SN-A](#) [62149-1](#) [62-NBM-A](#) [63-S](#) [640179-1](#) [640917-2-CUT-TAPE](#) [6501550002](#) [66107-2-C](#) [66107-4-C](#) [696683-1](#) [696834-1](#) [696861-1](#) [696931-1](#) [696999-1](#) [M8-516RK](#) [M86700006](#) [MA250DMFMX-A](#) [701-2007](#) [701-2307](#) [701-7761-03](#) [70F-110-32-PB](#) [718-N-A](#) [71M-187-20-NBL](#) [71M-250-32-NBL](#) [72F-187-20-NBL](#) [72M-250-32-NBL](#) [7310](#) [73F-250-32](#) [73F-250-32-NBL](#) [73F-250-32-NL](#) [F-1M](#)