

APEM Data Sheet- Microswitch Joystick – Stock No. 989-5744 APEM 1000 Series Part number 100113



The Farnell switch joystick is the ideal choice for single step switching applications where a compact robust joystick is required. Supplied with a comfortable knob and improved construction the joystick is designed for sub panel mounting via the use of the 4 x M2.5 screws supplied.

The operating mode of the joystick is defined by the use of the supplied limiter plates. Selection of the required limiter will enable single axis, dual axes, cross or diagonal operation.

The Joystick is supplied with the industry standard V4 microswitches , configured with changeover contacts carrying a nominal 10A/250V AV rating. All switches have gold flashed contacts to ensure reliable switching at very low current levels.

MECHANICAL

Mechanical Life	-	>5 Million Operations
Lever Travel	-	24° (12° from center)
Lever Material	-	Stainless Steel or Brass
Mass/weight	-	40g
Body Material	-	Mineral Filled Nylon-6
Handle Material	-	Nylon
Boot Material	-	Neoprene
Mounting - Screw	-	4 x M2.5 Stainless (Slotted)
Mounting - Bush	-	Single Point 22mm Diameter

ELECTRICAL

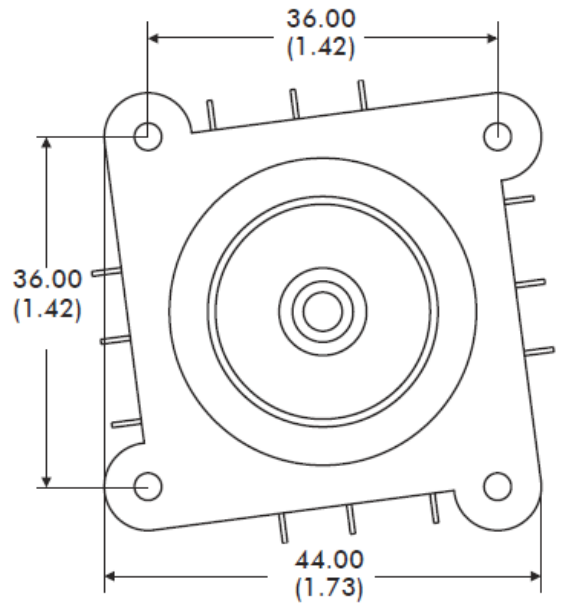
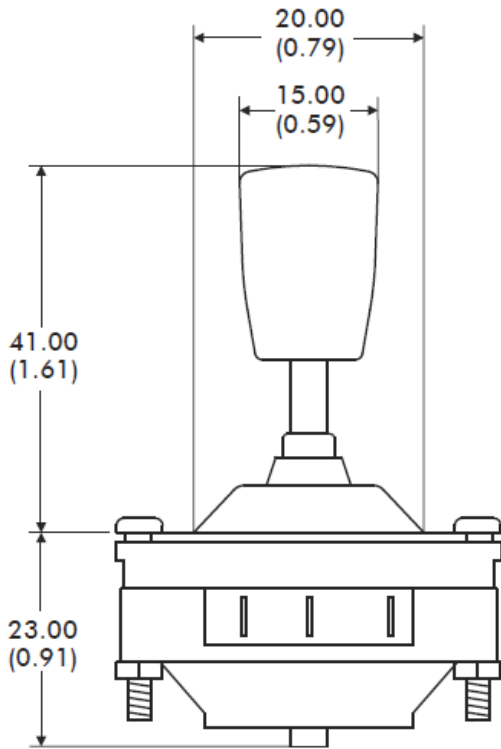
Number of Switches	-	4
Nominal Current	-	6A
Maximum Voltage	-	250V AC
Contacts 6A - V4	-	Gold over Silver
Switch Contacts	-	Changeover
Contact Life	-	Load Dependent

ENVIRONMENTAL

Temperature Range	-	-20°C to 50°C
Above Panel Seal (IP)	-	IP67

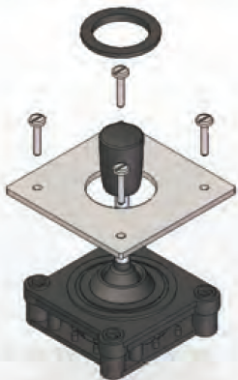
NOTES

- All values are nominal



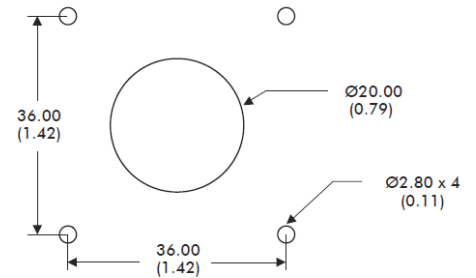
MOUNTING CUTOUT DIMENSIONS AND INSTALLATION

V4 SCREW MOUNT



NOTE:

The joystick is mounted from beneath the panel using the 4 x M2.5 machine screws, supplied with the joystick. Supplied as standard with the joystick is a round bezel which may be fitted (according to customer preference) to finish the front face of the panel. Fitting the bezel is optional, and is not necessary if the panel cut-out finishes the panel. If fitting the bezel is selected then the panel cut out should be toleranced such that the bezel is an interference fit. Additionally bonding the bezel is recommended.



X-ON Electronics

Largest Supplier of Electrical and Electronic Components

Click to view similar products for [Signal Conditioning](#) category:

Click to view products by [Apem](#) manufacturer:

Other Similar products are found below :

[MAPDCC0004](#) [PD0409J5050S2HF](#) [880157](#) [HHS-109-PIN](#) [DC1417J5005AHF](#) [DC4859J5005AHF](#) [AFS14A30-2185.00-T3](#) [AFS14A35-1591.50-T3](#) [DS-323-PIN](#) [DSS-313-PIN](#) [B39321R801H210](#) [B39321R821H210](#) [B39921B4317P810](#) [1A0220-3](#) [2089-6207-00](#) [JP510S](#) [LFB212G45SG8C341](#) [LFB322G45SN1A504](#) [LFL182G45TC3B746](#) [SF2159E](#) [30057](#) [1P510S](#) [CER0813B](#) [3A325](#) [40287](#) [41180](#) [ATB3225-75032NCT](#) [B69842N5807A150](#) [BD0810N50100AHF](#) [BD2326L50200AHF](#) [BD2425J50200AHF](#) [HMC189AMS8TR](#) [C5060J5003AHF](#) [JHS-114-PIN](#) [JP503AS](#) [DC0710J5005AHF](#) [DC2327J5005AHF](#) [DC3338J5005AHF](#) [43020](#) [LFB2H2G60BB1C106](#) [LFL15869MTC1B787](#) [X3C19F1-20S](#) [XC3500P-20S](#) [10013-20](#) [SF2081E](#) [SF2194E](#) [SF2238E](#) [CDBLB455KCAX39-B0](#) [RF1353C](#) [PD0922J5050D2HF](#)