



APEM Data Sheet- Microswitch Joystick – Stock No. 989-5736 APEM 1000 Series Part Number 100114



The Farnell switch joystick is the ideal choice for single step switching applications, where a compact robust joystick is required, that is capable of switching up to 15A.

Supplied with a comfortable knob the joystick is designed for sub panel mounting via the use of the 4 x M2.5 screws supplied.

The operating mode of the joystick is defined by the use of the supplied limiter plates. Selection of the required limiter will enable single axis, dual axes, cross or diagonal operation.

The joystick is supplied with industry standard V3 microswitches, configured with changeover contacts carrying a nominal load 15A/250V AC rating.

MECHANICAL

Mechanical Life	-	>5 Million Operations
Lever Travel	-	24° (12° from center)
Lever Material	-	Stainless Steel or Brass
Mass/weight	-	40g
Body Material	-	Mineral Filled Nylon-6
Handle Material	-	Nylon
Boot Material	-	Neoprene
Mounting - Screw	-	4 x M2.5 Stainless (Slotted)
Mounting - Bush	-	Single Point 22mm Diameter

ELECTRICAL

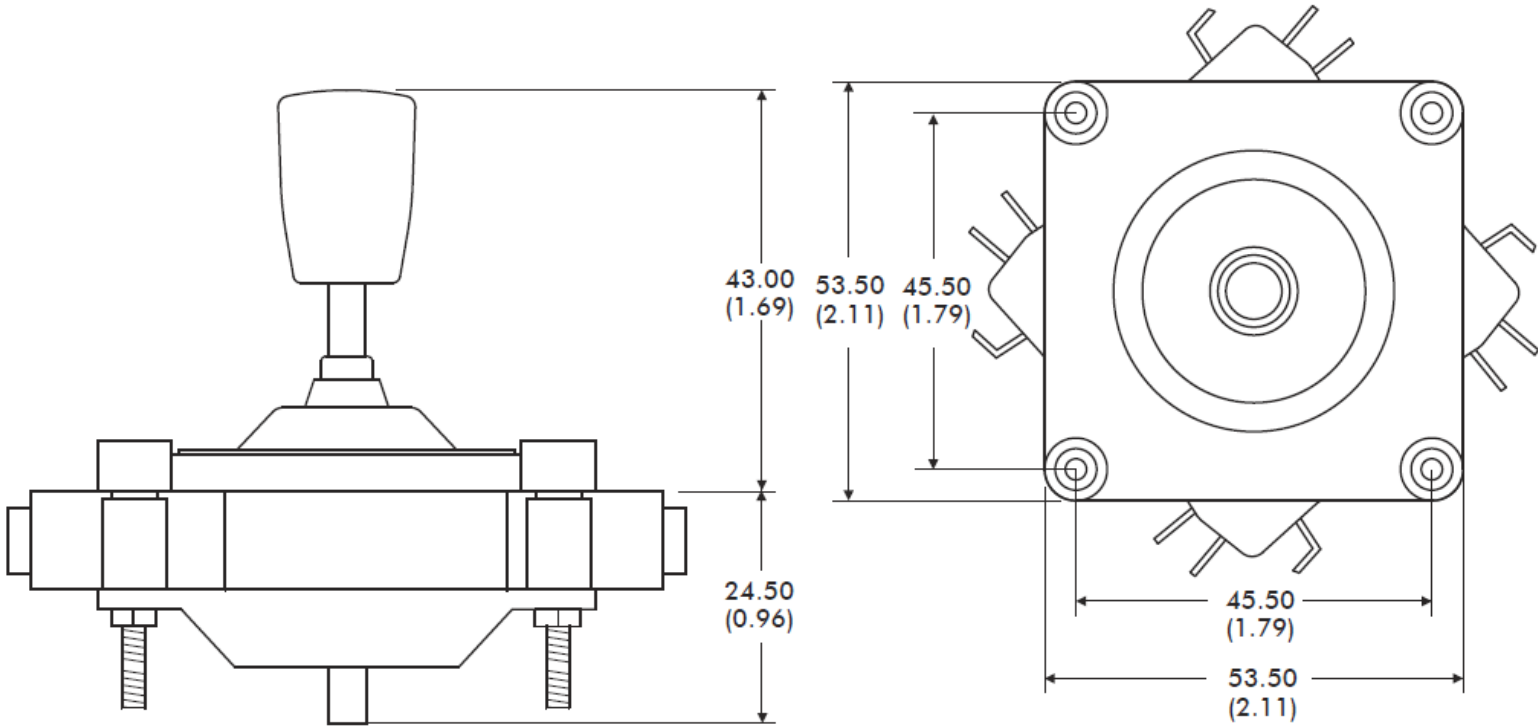
Number of Switches	-	4
Nominal Current	-	15A
Maximum Voltage	-	250V AC
Contacts 15A	-	Silver
Switch Contacts	-	Changeover
Contact Life	-	Load Dependent

ENVIRONMENTAL

Temperature Range	-	-20°C to 50°C
Above Panel Seal (IP)	-	IP67

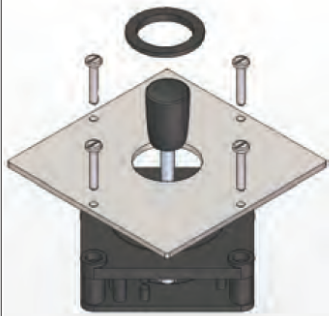
NOTES

- All values are nominal



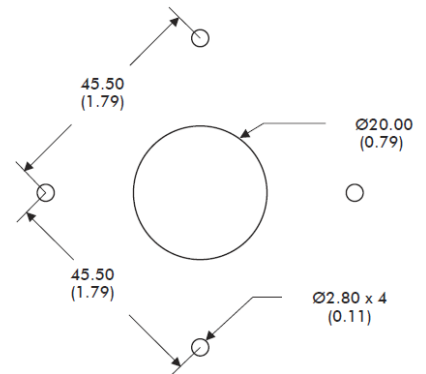
MOUNTING CUTOUT DIMENSIONS AND INSTALLATION

V3 SCREW MOUNT



NOTE:

The joystick is mounted from beneath the panel using the 4 x M2.5 machine screws, supplied with the joystick. Supplied as standard with the joystick is a round bezel which may be fitted (according to customer preference) to finish the front face of the panel. Fitting the bezel is optional, and is not necessary if the panel cut-out finishes the panel. If fitting the bezel is selected then the panel cut out should be toleranced such that the bezel is an interference fit. Additionally bonding the bezel is recommended.



X-ON Electronics

Largest Supplier of Electrical and Electronic Components

Click to view similar products for [Signal Conditioning category](#):

Click to view products by [Apem manufacturer](#):

Other Similar products are found below :

[MAPDCC0004](#) [PD0409J5050S2HF](#) [880157](#) [HHS-109-PIN](#) [DC1417J5005AHF](#) [DC4859J5005AHF](#) [AFS14A30-2185.00-T3](#) [AFS14A35-1591.50-T3](#) [DS-323-PIN](#) [DSS-313-PIN](#) [B39321R801H210](#) [B39321R821H210](#) [B39921B4317P810](#) [1A0220-3](#) [2089-6207-00](#) [JP510S](#) [LFB212G45SG8C341](#) [LFB322G45SN1A504](#) [LFL182G45TC3B746](#) [SF2159E](#) [30057](#) [1P510S](#) [CER0813B](#) [3A325](#) [40287](#) [41180](#) [ATB3225-75032NCT](#) [B69842N5807A150](#) [BD0810N50100AHF](#) [BD2326L50200AHF](#) [BD2425J50200AHF](#) [HMC189AMS8TR](#) [C5060J5003AHF](#) [JHS-114-PIN](#) [JP503AS](#) [DC0710J5005AHF](#) [DC2327J5005AHF](#) [DC3338J5005AHF](#) [43020](#) [LFB2H2G60BB1C106](#) [LFL15869MTC1B787](#) [X3C19F1-20S](#) [XC3500P-20S](#) [10013-20](#) [SF2081E](#) [SF2194E](#) [SF2238E](#) [CDBLB455KCAX39-B0](#) [RF1353C](#) [PD0922J5050D2HF](#)