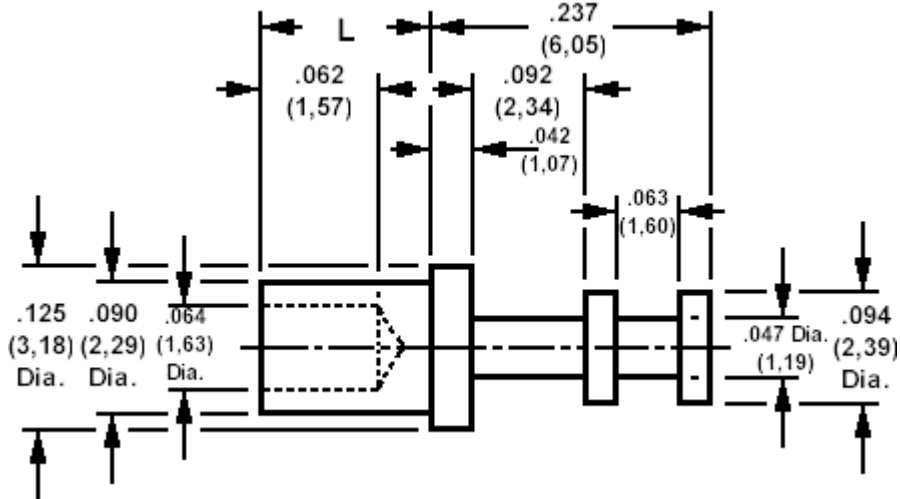


## 160-1026 Solder terminal, turreted

Recommended mounting hole .094 (2,37), #42 drill



### How to order code

**160-1026-XX-YY-00**

Basic Part No XX = L dimension, YY = Plating Finish

DIMENSIONS (XX)			
Basic Part No	(XX)	L	Board Thickness
160-1026	-01	.075 (1,91)	.031 (0,79)
	-02	.105 (2,67)	.062 (1,58)
	-03	.135 (3,43)	.094 (2,38)
	-04	.165 (4,19)	.125 (3,18)

MATERIALS			
Component	Material	Finish (YY)	
		-01	-05
Terminal	Brass	Silver	Electro Solder

SWAGE TOOLING	
Recommended Swaging Tools:-	
Anvil	435-6404-01-00-00
Roll punch	435-6604-01-00-00
Flare punch	435-6663-01-00-00

## X-ON Electronics

Largest Supplier of Electrical and Electronic Components

*Click to view similar products for [wearnes cambion manufacturer](#):*

Other Similar products are found below :

[570-1990-01-01-00](#) [450-3888-01-04-00](#) [450-3704-01-06-00](#) [570-1503-01-05-19](#) [570-1504-01-05-19](#) [570-1994-02-01-00](#) [460-3299-03-03-00](#)  
[160-2085-02-01-00](#) [570-1511-01-01-19](#) [460-2970-03-04-00](#) [570-3648-02-01-00](#) [450-8340-01-06-00](#) [570-2045-01-01-00](#) [450-3422-01-06-00](#)  
[572-4826-01-05-16](#) [461-2872-01-03-12](#) [450-8325-01-06-00](#) [450-3367-01-04-00](#) [570-2641-01-01-19](#) [461-2871-01-03-12](#) [571-4182-03-01-19](#)  
[572-4810-01-05-16](#) [160-2034-02-01-00](#) [160-2027-02-01-00](#) [160-1512-02-01-00](#) [460-8250-01-04-00](#) [571-4015-01-01-19](#) [160-1245-02-01-00](#)  
[160-1797-02-01-00](#) [460-2970-02-03-00](#) [450-4352-01-03-10](#) [140-2089-02-01-00](#) [160-1724-02-01-00](#) [572-4814-01-05-16](#) [160-1026-02-01-00](#)  
[460-2970-02-04-00](#) [160-1558-02-01-00](#) [160-3653-02-01-00](#) [140-1785-02-01-00](#) [450-3326-01-03-00](#)