

3.0V Ultra Miniature SMD TCXO/VCTCXO



Model: FOX914 SERIES

RoHS Compliant / Pb Free

Rev. 8/8/2013

Page 1 of 1

http://www.foxonline.com/need_a_sample.htm

Need a
Sample®

FEATURES

- 3.0V Operation
- 1.5mm Height Max
- Clipped Sine Output
- Low Cost
- Tape and Reel (2,000 pcs. STD)

OPTIONS

- Voltage Control (FOX914E)
- Voltages of 2.5V ~ 2.8V ~ 3.3V

• PART NUMBER SELECTION				
Part Number	Model Number	Frequency Stability	Operating Temperature (°C)	Frequency Range (MHz) ¹
490-Frequency-xxxxx	FOX914B	See table	-30 ~ +85	8.000 ~ 40.000
491-Frequency-xxxxx	FOX914E	See table	-30 ~ +85	8.000 ~ 40.000

• ELECTRICAL CHARACTERISTICS	
PARAMETERS	MAX (unless otherwise noted)
Frequency Range (Fo)	8.000 ~ 40.000 MHz ¹
Temperature Range	
Operating (T _{OPR}) ³	-30°C ~ +85°C
Storage (T _{STG})	-40°C ~ +85°C
Supply Voltage (V _{DD}) ⁴	3.0V ± 5%
Input Current (I _{DD})	2.0mA
Initial Frequency Tolerance (@ 25°C ± 2°C) (V _c = 1.5V ²)	±1.0PPM
Frequency Stability	
Over Temperature Range ³	±2.5PPM
Over Supply Voltage Change (3.0V ± 5%)	±0.2PPM
Over Load Change (10kΩ ± 10% // 10pF ± 10%)	±0.2PPM
Output Waveform (Clipped Sine)	
Peak-to-Peak Level (V _{p-p})	0.8V Min
Output Load	10kΩ // 10pF ± 10%
Aging per year	±1.0PPM
Pullability ² (V _c = 1.5 ± 1.0V)	±5.0 ~ ±15.0 PPM

¹ Undeveloped frequencies available on an inquiry basis.

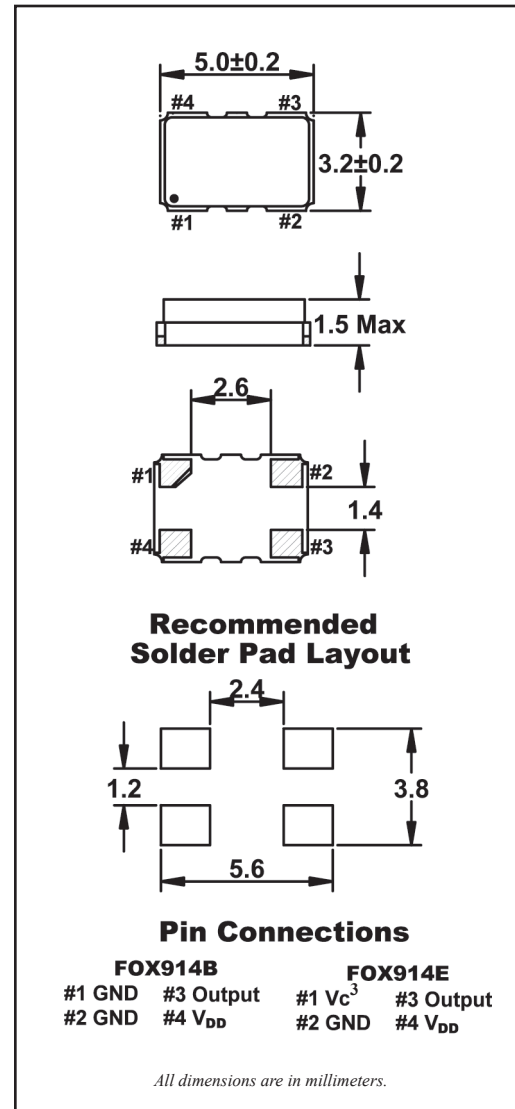
² For proper operation, a control voltage (V_c) must be applied to pin 1 on VCTCXOs.

³ Other stabilities/temperature ranges available.

⁴ Other voltages available.

*Dimensional drawing is for reference to critical specifications defined by size measurements. Certain non-critical visual attributes, such as side castellations, reference pin shape, etc. may vary. All specifications subject to change without notice.

• DEVELOPED FREQUENCIES ¹	
12.600 MHz	19.200 MHz
12.800 MHz	19.440 MHz
13.000 MHz	19.680 MHz
13.824 MHz	19.800 MHz
14.400 MHz	20.000 MHz
14.850 MHz	26.000 MHz
16.800 MHz	



X-ON Electronics

Largest Supplier of Electrical and Electronic Components

Click to view similar products for [TCXO Oscillators](#) category:

Click to view products by [Fox](#) manufacturer:

Other Similar products are found below :

[SiT5000AI-3D-33E0-10.000000X](#) [SIT5002AI-8C-33N0-100.000000X](#) [AST3TQ-40.000MHZ-1](#) [SIT5021AI-2DD-33E-100.000000X](#)
[THD3031035LK280005-10.0M](#) [DS32KHZST&R](#) [JT3251P0040.000000](#) [SiT5000AC-3E-33E0-19.440000Y](#) [XTCLH26M000TJJA6P0](#)
[XTCLH25M000TJJA5P0](#) [XTCLH19M200TJJC3P0](#) [TG2016SMN 38.4000M-MCGNNM3](#) [TG2016SMN 48.0000M-MCGNNM3](#)
[TG2016SMN 19.2000M-ECGNNM3](#) [TX-8010-EAE-2870-12M800](#) [ECS-TXO-32CSMV-200-EN-TR](#) [CVT32-20.000](#) [ASTX-H11-](#)
[27.000MHZ-T](#) [VT-803-EAE-206A-52M0000000](#) [SIT5356AI-FQ-33E0-25.000000X](#) [DS32KHZSN#T&R](#) [ECS-TXO-2520-33-120-AN-TR](#)
[ECS-400-18-33-JGN-TR](#) [ECS-320-18-33-JEM-TR](#) [ECS-320-10-33-JTL-TR](#) [ECS-320-10-33-AGM-TR](#) [581L200X2ITT](#) [LFPTXO000009Bulk](#)
[AST3TQ-V-40.000MHz-28](#) [AST3TQ-V-40.000MHz-50-C](#) [AST3TQ-T-15.360MHz-28](#) [LFPTXO000316Bulk](#) [SiT1568AI-JE-DCC-32.768E](#)
[AST3TQ-T-20.000MHz-28](#) [AST3TQ-T-25.000MHz-28](#) [LFPTXO000068Bulk](#) [AST3TQ-V-30.720MHz-28](#) [LFPTXO000244Bulk](#)
[LFPTXO006980Bulk](#) [XTCLH50M000CHJA3P0](#) [LFPTXO000291Bulk](#) [AST3TQ-V-20.000MHz-28](#) [LFPTXO000268Bulk](#) [AST3TQ-T-](#)
[40.000MHz-28](#) [AST3TQ-T-16.384MHz-28](#) [ABDFTCXO-20.000MHz-L-2-CT](#) [LFTCXO073004Cutt](#) [KT2520K25000ZAW18TDS](#) [VT-803-](#)
[EAH-1060-48M0000000](#) [LFTCXO077226Cutt](#)