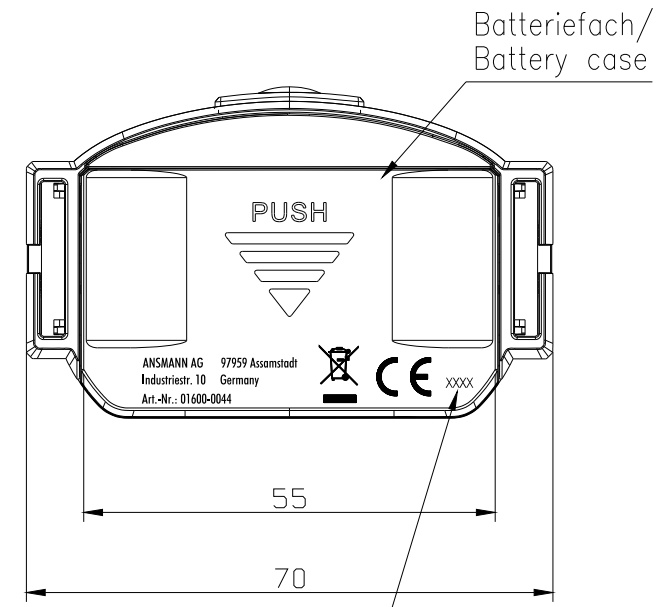
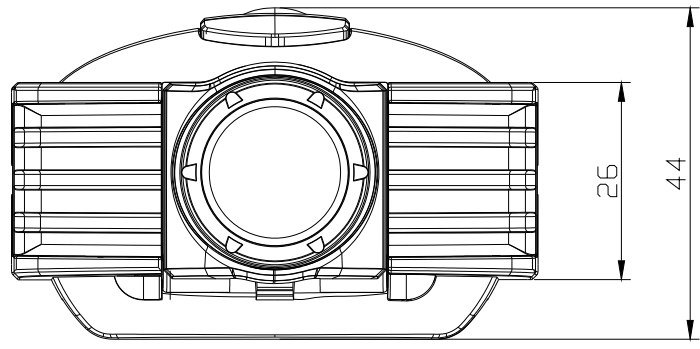
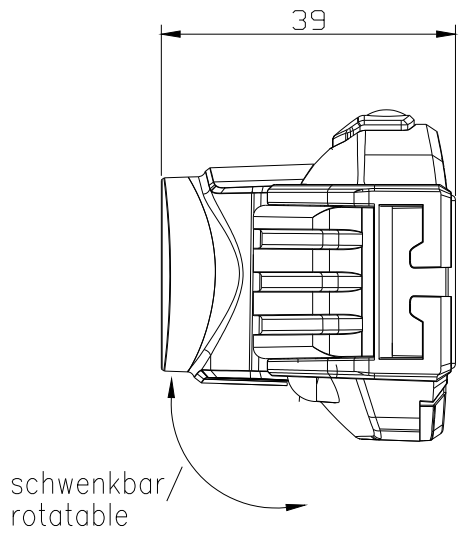
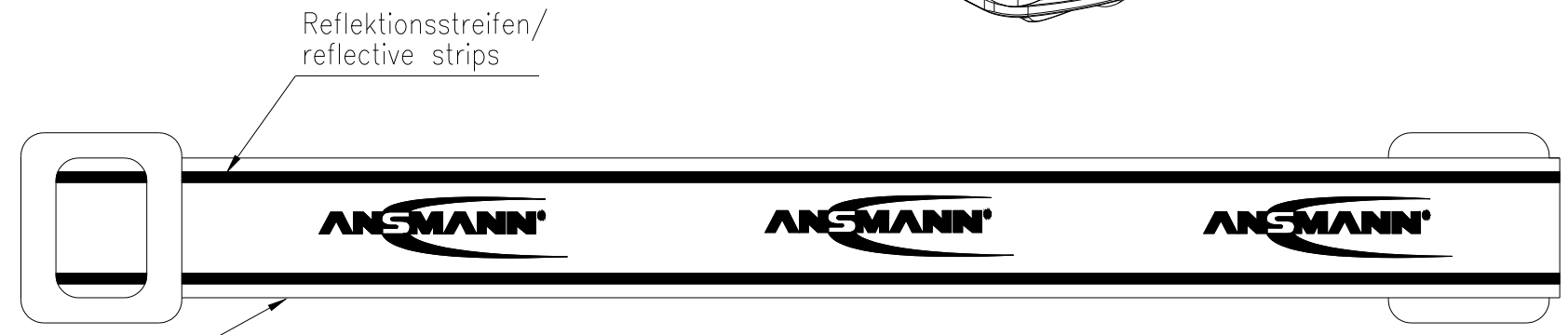
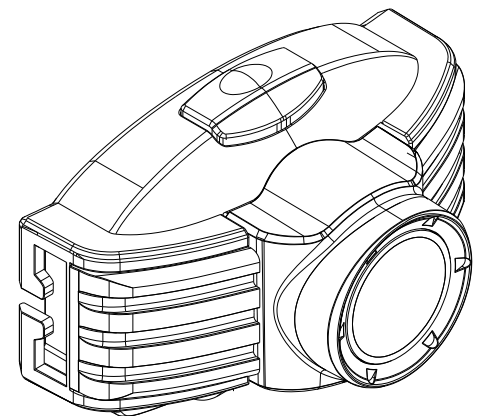
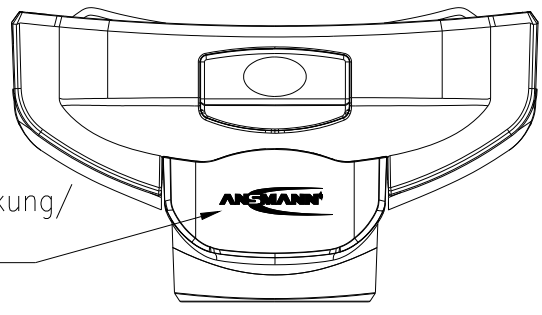


The supplier acknowledges that, with the acceptance of the drawing, he is in a position to manufacture the illustrated part in accordance with the drawing in reproducible form and series production. Through the selected manufacturing processes no impairments will arise in the material and structure which could subsequently lead to an impairment of the component. Verbal agreements over and above that are not valid. Deviations from this rule must be written and must be signed by the purchaser.

This drawing may not be copied, reproduced or made available to third parties in any way whatsoever without or prior written approval.



Verschlüsseltes Produktionsdatum/
date code (coded production date)



Technische Daten/ :
technical data

- Leuchtmittel/ : 1.8W Professional LED
illuminant
- Lebensdauer/ : ca./approx. 50.000h
Life-time
- Zellenzahl/ : 3x AAA Micro, im Lieferumfang enthalten/
number of cells 3x AAA Micro, included
- Sichtweite/ : 200m
visual range
- Leuchtdauer/ : 15h
operating time
- Helligkeit/ : 150 Lumen
brightness 4000 Lux
- Schutzart/ : IP54
protection
- Gehäuse/ : Kunststoffgehäuse, schwarz
housing plastic housing, black
- Gewicht/ : 82.5g mit Batterien/
weight 82.5g with batteries
- Verpackung/ : Blisterverpackung/
package blister package
- Approbation/ : CE
approval

Verwendungsbereich/Application range für Anfrage/for inquiry ANB201257		Zul. Abweichung/ Allowable deviation	Oberfläche/ Surface	Maßstab/Scale (DIN A3): 1:1	Gewicht/Weight
		general tolerances DIN ISO 2768-m		Werkstoff/Work material, Modell-Nr.	
		2013 Datum/Date	Name	Zeichnungsname/Drawing name	
		Erstellt/ Drawn by	04.04.13	LED-Stirnlampe FUTURE/ LED-Headlight FUTURE	
V3	printing changed	19.01.15	SIT	Zeichnungsnummer/Drawing number	
V2	date code changed and address added	21.01.14	CF	Artikelnummer/Part number	
V1	technical data updated	29.08.13	CB	1600-0044	
V0	---	04.04.13	CB	Blatt/ Sheet	
Version	Änderung/Change	Datum/Date	Name	Ursprung/Origin	Proj. XX/XX/XX
				Ersatz für/Replaced by	Ersatz durch/Replacement through:



X-ON Electronics

Largest Supplier of Electrical and Electronic Components

Click to view similar products for [ansmann](#) manufacturer:

Other Similar products are found below :

[5020012](#) [1000-0003](#) [5013233](#) [5030992](#) [1520-0004](#) [1501-0004-1](#) [1001-0020-UK](#) [2312-3003](#) [1250-0013](#) [1600-0199](#) [5030902](#) [1900-0019](#)
[1001-0014-UK](#) [5035362](#) [5013243](#) [5707173](#) [1600-0137](#) [5035391](#) [5000023](#) [5311113 / APS 1000](#) [1600-0138](#) [1250-0014](#) [BCA120-350](#) [1600-0145](#) [5015293](#) [5030982](#) [2311-3003](#) [5030802](#) [10950964/01](#) [5030912](#) [5016243](#) [5035222](#) [2310-3001](#) [5030641](#) [5001183](#) [1600-0154](#) [5035352](#)
[5035342](#) [ACS310](#) [5035202](#) [5015332](#) [5035201](#) [5015303](#) [2311-3002](#)