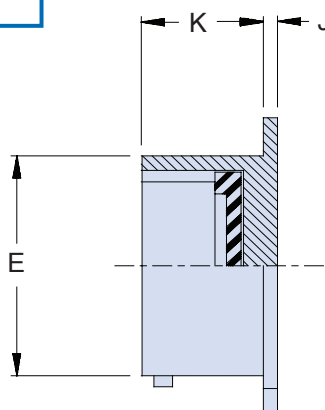
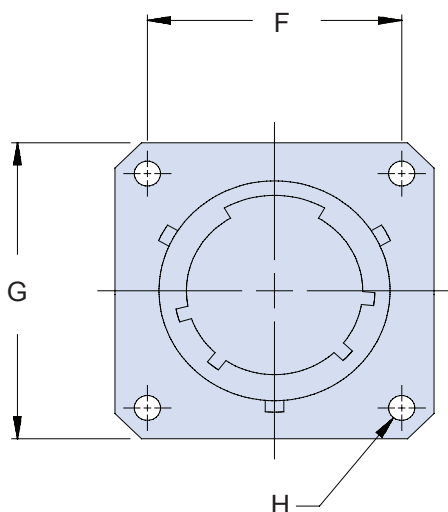
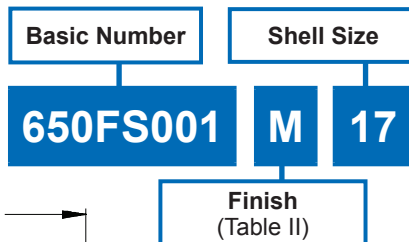




# 650FS001 Dummy Storage Receptacle for MIL-DTL-38999 Series I Connector



- APPLICATION NOTES**
1. See applicable Military Specification for complete dimensions.
  2. Metric dimensions (mm) are indicated in parentheses.

| TABLE II: FINISHES |   |
|--------------------|---|
| Symbol             | Finish  |
| <b>B</b>           | Cadmium Plate, Olive Drab                           |
| <b>C</b>           | Anodize, Black                                      |
| <b>GB</b>          | Black Anodize, Hard Coat                            |
| <b>M</b>           | Electroless Nickel                                  |
| <b>N</b>           | Cad Plate, Olive Drab over Electroless Nickel       |
| <b>NF</b>          | Cadmium Plate, Olive Drab over Electroless Nickel   |
| <b>MT</b>          | Ni-PTFE 1000 Hour Grey™ Nickel Fluorocarbon Polymer |
| <b>ZN</b>          | Zinc-Nickel   |

| TABLE I: DIMENSIONS |              |              |               |            |                      |               |
|---------------------|--------------|--------------|---------------|------------|----------------------|---------------|
| Shell Size          | E Max        | F Dim        | G ±.020 (0.5) | H Nom      | J +.015 (0.4) -0.000 | K ±.010 (0.3) |
| 9                   | .572 (14.5)  | .719 (18.3)  | .938 (23.8)   | .128 (3.3) | .085 (2.2)           | .727 (18.5)   |
| 11                  | .701 (17.8)  | .812 (20.6)  | 1.031 (26.2)  | .128 (3.3) | .085 (2.2)           | .727 (18.5)   |
| 13                  | .851 (21.6)  | .906 (23.0)  | 1.125 (28.6)  | .128 (3.3) | .085 (2.2)           | .727 (18.5)   |
| 15                  | .976 (24.8)  | .969 (24.6)  | 1.219 (31.0)  | .128 (3.3) | .085 (2.2)           | .727 (18.5)   |
| 17                  | 1.101 (28.0) | 1.062 (27.0) | 1.312 (33.3)  | .128 (3.3) | .085 (2.2)           | .727 (18.5)   |
| 19                  | 1.208 (30.7) | 1.156 (29.4) | 1.438 (36.5)  | .128 (3.3) | .085 (2.2)           | .727 (18.5)   |
| 21                  | 1.333 (33.9) | 1.250 (31.8) | 1.562 (39.7)  | .128 (3.3) | .115 (2.9)           | .697 (17.7)   |
| 23                  | 1.458 (37.0) | 1.375 (34.9) | 1.688 (42.9)  | .147 (3.7) | .115 (2.9)           | .697 (17.7)   |
| 25                  | 1.583 (40.2) | 1.500 (38.1) | 1.812 (46.0)  | .147 (3.7) | .115 (2.9)           | .697 (17.7)   |

## X-ON Electronics

Largest Supplier of Electrical and Electronic Components

*Click to view similar products for [Accessories for Robotics and RC](#) category:*

*Click to view products by [Glenair](#) manufacturer:*

Other Similar products are found below :

[56T705](#) [015-9516-002](#) [01.001.6453.0](#) [641763-8](#) [CW106-01X](#) [CW30101A](#) [CW31701A](#) [D2041839](#) [70.352.0628.0](#) [73.353.4028.1](#) [FB22001A](#)  
[FB30601A](#) [9009030000](#) [9501](#) [121587-0026](#) [1218510-1](#) [1218629-4](#) [1218630-4](#) [1261000A00M001](#) [128-26-5](#) [RFI77-14](#) [1367251-2](#) [14](#) [1-](#)  
[449604-1](#) [1460g4](#) [1470g4](#) [DV0PM20034](#) [MS27488-16-1](#) [MS3057-12A W/B](#) [MS3057-8A-624](#) [MS600-2-XP-1A](#) [MS-602-GEE-14-07C](#)  
[MS603-12-01A](#) [MS90376-14R](#) [MS90376-16RB](#) [MTB1-11PH3](#) [1676610000](#) [1A9224 REV A](#) [210-115](#) [CA20L22](#) [2227383-1](#) [225-0090-000](#)  
[225-0098-000](#) [KA-89-82](#) [CB20201X](#) [KC-89-104](#) [CB30601A](#) [CB31201A](#) [236-600](#) [CBC120210-752](#)