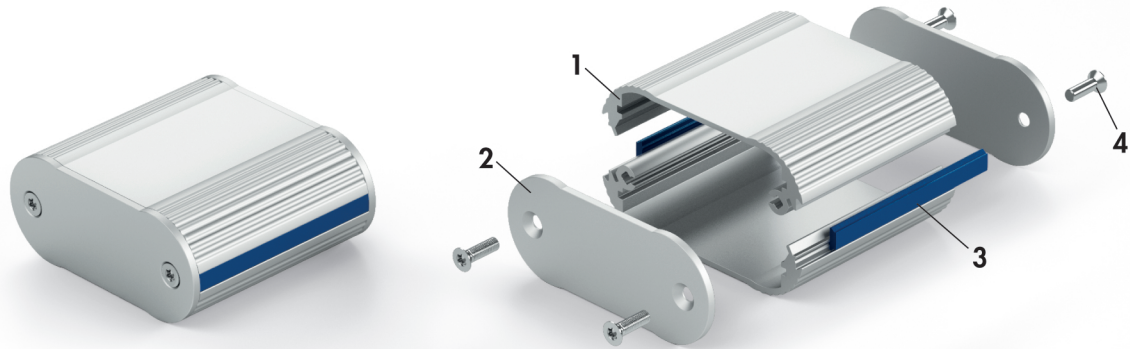


Miniature case "TONDO"



contents of delivery:

- 1** = 2 x housing halves
- 2** = 2 x cover panel
- 3** = 2 x plastic design strip
- 4** = mounting material

- handy miniature case made of aluminium profiles which are plugged against each other with cover panels of 2 mm thickness and lateral integrated plastic design strips
- guide slots for insertion of non-standardized PCBs, laterally in the profile 1.6 mm and in the middle with 1.8 mm
- integration possibilities for foil keypads
- design strips are available in the colours turquoise blue (similar to RAL 5018), heather violet (similar to RAL 4003), ultramarine blue (similar to RAL 5002), carmine red (similar to RAL 3002) and daffodil yellow (similar to RAL 1007)
- special treatments, special lengths, surfaces and colours upon request
- supplied as a demounted kit

art. no.			
TON 49 20 ...			
art. no.			
TON 61 26 ...			
art. no.			
TON 86 36 ...			
please indicate:	... $\overline{\hspace{1cm}}$ 50 80 100 mm	... surface SA = black anodised ME = natural colour anodised	... colour design strip TB = turquoise blue EV = heather violet UL = ultramarine blue KR = carmine red NG = daffodil yellow

X-ON Electronics

Largest Supplier of Electrical and Electronic Components

Click to view similar products for [fisher manufacturer](#):

Other Similar products are found below :

[FR 105 52 220 ME](#) [FR 120 42 200 ME](#) [GEL 28 30](#) [GEL 45 10](#) [GEL 45 50](#) [GEL 60 10](#) [AKG 33 20 80 ME](#) [ICKSR40X30](#) [LA 17 150 230](#) [LA 21 150 230](#) [LA 21 150 24](#) [LA 27 K 100 12](#) [LA 27 K 100 24](#) [LA 27 K 150 12](#) [LA 27 K 50 24](#) [SK4615AL](#) [SK 47 250 SA](#) [SK56920AL](#) [SK57225SA](#) [SK57720AL](#) [SK58420AL](#) [SK58437.5SA](#) [SK 622 1000 AL](#) [SK 622 1000 SA](#) [SK 622 100 AL](#) [SK 623 100 SA](#) [SK 626 1000 SA](#) [SK 626 50 SA](#) [SK 627 1000 AL](#) [SK 627 200 AL](#) [SK 627 200 SA](#) [SK 627 50 SA](#) [SK 632 100 AL](#) [SK 633 25 AL](#) [SK 636 100 AL](#) [SK LED R 65 SA](#) [SK LED R 80 SA](#) [AKG 69 24 100 SA](#) [FR 80 42 160 ME](#) [GE K 80 42 100 SA](#) [GEL 10](#) [GEL 45 30](#) [GEL 60 25](#) [GEL F 15 10](#) [TUF 120 42 220 ME](#) [TUF 55 16 200 SA](#) [LA 27 K 50 12](#) [LA 27 K 75 12](#) [LA 27 K 75 24](#) [WAG 200 SA](#)