

Terminal rail systems

Both active and passive components and intelligent modules are mounted on terminal rails – a method which has proven its worth over the years. But it is only after the use of certain consumables – which are frequently not taken into consideration – that electrical installation is finally completed. In this chapter, users will find a range of terminal rails and profile rails for component installation together with end brackets for holding and isolating the components. This guarantees firm installation and isolation. Weidmüller supplies components which show perfect functional compatibility.

Terminal rails are made of either steel, stainless steel, aluminium, copper or plastic, depending on the area of application.

Stainless steel

Stainless steel is a collective noun for all kinds of steel (alloys) which are smelted in a special process and have a high degree of purity. Stainless steel has much-enhanced resistance to corrosion. Weidmüller's stainless steel terminal rails have the following composition: X5 CrNi 18-10 stainless steel (i.e. ~ 18 % chromium, ~ 10 % nickel).

Aluminium

Aluminium is second only to copper in its electrical conductivity. One advantage is its light weight. Aluminium oxidises quickly in air; thus passivated, it offers excellent corrosion protection.

Copper

Copper, a heavy metal, has the best electrical conductivity of all metals used. As it is a soft metal, Weidmüller's terminal rails are 2.3 mm thick.

Plastic

The plastic terminal rail scores on two counts: firstly, its insulating properties, and secondly, its low weight. This leads to its use in special applications where, for example, clearance and creepage distances with respect to the mounting plate cannot be achieved with the standard terminal rails.

Steel

Weidmüller started developing RoHS-compliant surfaces at a very early stage to meet the requirements of EU directives. This commitment is now paying off because Weidmüller products comply with the statutory instruments at an early date and provide you, the customer, with the customary, high Weidmüller quality. All the yellow-passivated surfaces so well known to users will in future be replaced by terminal rails with the new **WIN-Q** surface finish. This name stands for the Weidmüller quality, in other words excellent surface protection and, at the same time, excellent electrical properties.

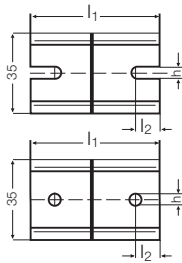
A terminal rail can also be used as a protective conductor busbar. Weidmüller PE / earth terminals in the W-Series, Z-Series, I-Series, SAK- and AKZ-Series comply with requirements stipulated in IEC 60 947-7-2. According to VDE 0100 part 540, for conductors with cross-sectional areas exceeding 10 mm², both protective and neutral conductors may be grouped together as a single category of conductors designated PEN.

If a terminal rail is used as a PEN busbar, the following criteria must be observed:

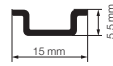
- Only E-Cu or aluminium profiles are allowed
- Short-circuit currents and thermal rated currents must be taken into account
- The terminal rails are to be insulated as a contribution to protective insulation

All unperforated terminal rails can be provided with fixing holes (state dimensions h and l₂).
Possible diameters are 3.5 / 5.6 / 5.5 / 7 mm.

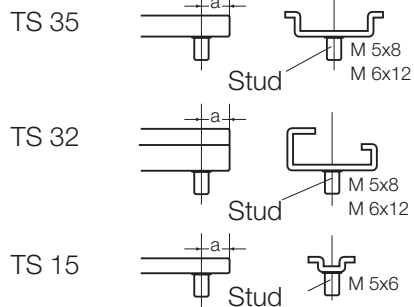
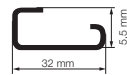
All unperforated steel rails can also be supplied with welded on steel studs (state dimension a and required studs).



TS 15



TS 32

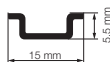


TS 35

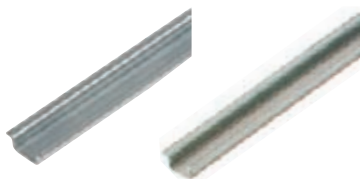


Terminal rails

TS15 terminal rail



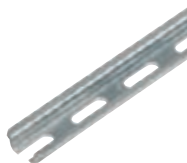
Unperforated



TS 15 x 5

| Aluminium | Short-circuit strength | Material thickness | Length | Qty. | Order No. |
|--|------------------------|--------------------|--------|------|------------|
| TS 15x5 2M/AL/BK (max. permissible rated current for PEN function = 76 A) | 16 mm ² | 1 mm | 2 m | 10 m | 0134700000 |
| Steel, galvanised and passivated | | | | | |
| TS 15x5 2M/ST/ZN | 10 mm ² | 1 mm | 2 m | 2 m | 0514200000 |

With slotted hole



| Aluminium | Short-circuit strength | Material thickness | Length | Qty. | Order No. |
|---|------------------------|--------------------|--------|------|------------|
| TS 15x5/LL 2M/AL/BK (max. permissible rated current for PEN function = 76 A) | 16 mm ² | 1 mm | 2 m | 2 m | 0217900000 |
| Steel, galvanised and passivated | | | | | |
| TS 15x5/LL 2M/ST/ZN | 10 mm ² | 1 mm | 2 m | 2 m | 0117500000 |
| TS 15x5/LL 1M/ST/ZN | 10 mm ² | 1 mm | 1 m | 10 m | 0117510000 |

TS 32 terminal rail



Unperforated



TS 32 x 15

| Aluminium | Short-circuit strength | Material thickness | Length | Qty. | Order No. |
|--|------------------------|--------------------|--------|------|------------|
| TS 32X15 2M/AL/BK (max. permissible rated current for PEN function = 192 A) | 70 mm ² | 1.5 mm | 2 m | 2 m | 0169300000 |
| Steel, galvanised and passivated | | | | | |
| TS 32X15 2M/ST/ZN | 35 mm ² | 1.5 mm | 2 m | 2 m | 0122800000 |

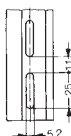
Copper

| | | | | | |
|--|---------------------|--------|-----|-----|------------|
| TS 32X16.2 2M/CU/BK (max. permissible rated current for PEN function = 269 A) | 120 mm ² | 2.1 mm | 2 m | 2 m | 0364300000 |
|--|---------------------|--------|-----|-----|------------|

Stainless steel

| | | | | | |
|-----------------|--------------------|--------|-----|-----|------------|
| TS 32X15 2M/CRN | 35 mm ² | 1.5 mm | 2 m | 2 m | 0293220000 |
|-----------------|--------------------|--------|-----|-----|------------|

With slotted hole

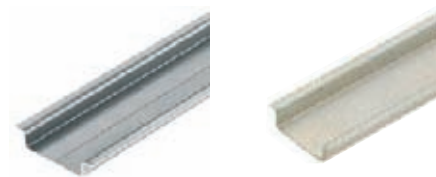


| Steel, galvanised and passivated | Short-circuit strength | Material thickness | Length | Qty. | Order No. |
|----------------------------------|------------------------|--------------------|--------|------|------------|
| TS 32X15/LL 2M/ST/ZN | 35 mm ² | 1.5 mm | 2 m | 2 m | 0514400000 |

TS 35 x 7,5 terminal rail



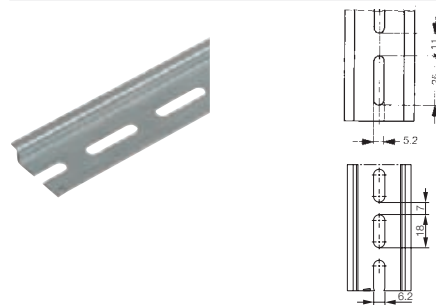
Unperforated



TS 35 x 7.5

| Aluminium | Short-circuit strength | Material thickness | Length | Qty. | Order No. |
|---|------------------------|--------------------|--------|------|------------|
| TS 35X7.5 2M/AL/BK (max. permissible rated current for PEN function = 125 A) | 35 mm ² | 1 mm | 2 m | 2 m | 0330800000 |
| Steel, galvanised and passivated | | | | | |
| TS 35X7.5 2M/ST/ZN | 16 mm ² | 1 mm | 2 m | 2 m | 0383400000 |
| TS 35X7.5 1M/ST/ZN | 16 mm ² | 1 mm | 1 m | 10 m | 0383410000 |
| Stainless steel | | | | | |
| TS 35X7.5 2M/CRN | 16 mm ² | 1 mm | 2 m | 2 m | 1747350000 |

With slotted hole

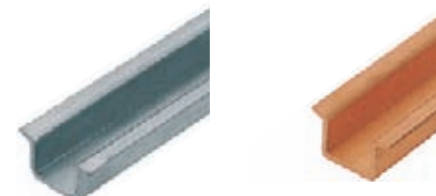


| Steel, galvanised and passivated | Short-circuit strength | Material thickness | Length | Qty. | Order No. |
|----------------------------------|------------------------|--------------------|--------|------|------------|
| TS 35X7.5/LL 2M/ST/ZN | 16 mm ² | 1 mm | 2 m | 2 m | 0514500000 |
| TS 35X7.5/LL 1M/ST/ZN | 16 mm ² | 1 mm | 1 m | 10 m | 0514510000 |
| TS 35X7.5/LL/6 2M/ST/ZN | 16 mm ² | 1 mm | 2 m | 2 m | 0514570000 |

TS 35 x 15 terminal rail



Unperforated



TS 35 x 15

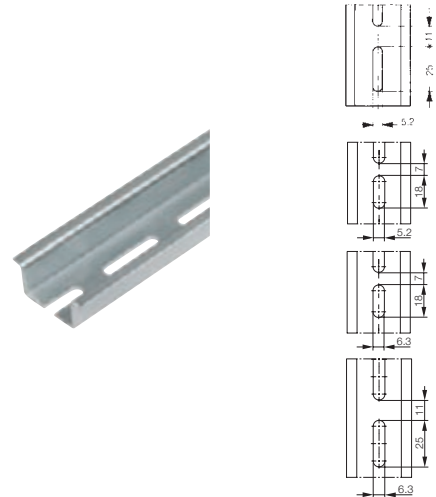
| Copper | Short-circuit strength | Material thickness | Length | Qty. | Order No. |
|--|------------------------|--------------------|--------|------|------------|
| TS 35X15/2.3 2M/CU/BK (max. permissible rated current for PEN function = 309 A) | 150 mm ² | 2.3 mm | 2 m | 2 m | 0270100000 |
| Steel, galvanised and passivated | | | | | |
| TS 35X15/2.3 2M/ST/ZN | 50 mm ² | 2.3 mm | 2 m | 2 m | 0498000000 |
| Aluminium | | | | | |
| TS 35X15/2.3 2M/AL/BK (max. permissible rated current for PEN function = 192 A) | 70 mm ² | 2.3 mm | 2 m | 2 m | 1848290000 |

Unperforated



| Steel, galvanised and passivated | Short-circuit strength | Material thickness | Length | Qty. | Order No. |
|----------------------------------|------------------------|--------------------|--------|------|------------|
| TS 35X15 2M/ST/ZN | 25 mm ² | 1.5 mm | 2 m | 2 m | 0236400000 |

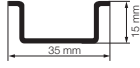
With slotted hole



| Steel, galvanised and passivated | Short-circuit strength | Material thickness | Length | Qty. | Order No. |
|----------------------------------|------------------------|--------------------|--------|------|------------|
| TS 35X15/LL 2M/ST/ZN | 25 mm ² | 1.5 mm | 2 m | 2 m | 0236500000 |
| TS 35X15/LL 1M/ST/ZN | 25 mm ² | 1.5 mm | 1 m | 10 m | 0236510000 |
| TS 35X15LL/5 2M/ST/ZN | 25 mm ² | 1.5 mm | 2 m | 2 m | 1837380000 |
| TS 35X15/LL/6x18 2M/ST/ZN | 25 mm ² | 1.5 mm | 2 m | 2 m | 1805980000 |
| TS 35X15/LL/6x25 2M/ST/ZN | 25 mm ² | 1.5 mm | 2 m | 2 m | 1866290000 |

Terminal rails

TS 35 x 15 terminal rail



TSK 35 x 15

| Unperforated | Plastic PVC RAL 7035 | Length | Qty. | Order No. |
|--------------|----------------------|--------|------|------------|
| | TSK 35X15 2M PVC/GR | 2 m | 2 m | 0514300000 |

X-ON Electronics

Largest Supplier of Electrical and Electronic Components

Click to view similar products for [weidmuller](#) manufacturer:

Other Similar products are found below :

[56956](#) [0133660000](#) [68676](#) [69718](#) [EXO24CH](#) [7940000218](#) [8005181001](#) [8008180000](#) [8432240000](#) [8463580000](#) [8545830000](#) [8689870000](#)
[8705640000](#) [9001080000](#) [9003720000](#) [9004250000](#) [9004780000](#) [9013260000](#) [9014100000](#) [9019040000](#) [9026010000](#) [9028630000](#) [903708](#)
[9037350000](#) [9046290000](#) [9129643500](#) [913155](#) [919656](#) [919764](#) [9202230000](#) [9202850000](#) [9204260000](#) [9456750000](#) [9457913000](#) [980811](#)
[980826](#) [9912800003](#) [9916080000](#) [9916280012](#) [9918380000](#) [9919371224](#) [9925710000](#) [9926252005](#) [9927480024](#) [1166660000](#) [11751](#)
[1222550000](#) [ACT20X-2HDI-2SDO-RNC-S](#) [ACT20X-HUI-SAO-S](#) [ACT20X-SAI-HAO-S](#)