

---

### GPS High Gain Puck Antenna

---

- High Efficiency
- Dual LNA
- High Gain GPS Antenna
- Outdoor use
- Magnetic/Tape Mount



ADA-A720-S is designed for GPS navigational applications, where outside mounting is preferred. The antenna has a small foot print and can withstand high winds and wet environment.

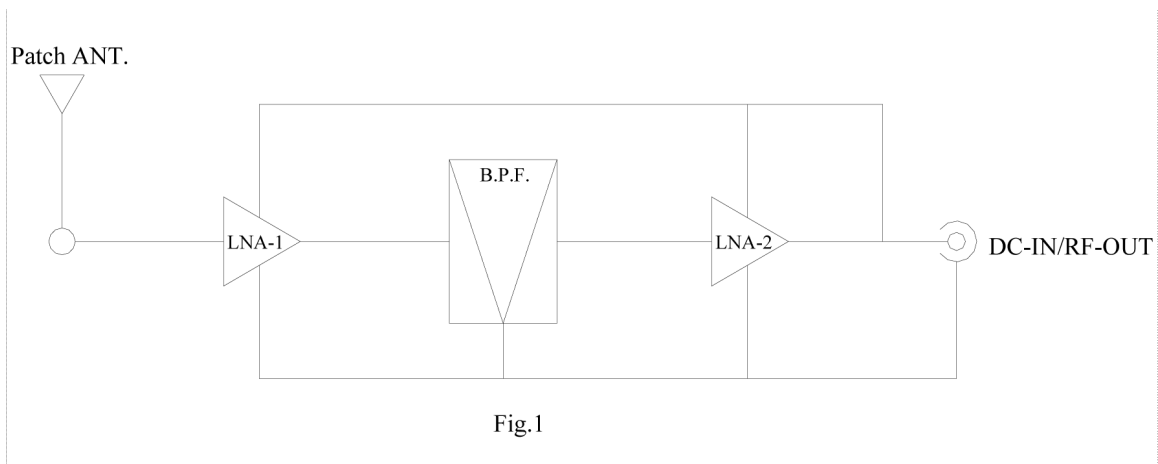
**RoHS**

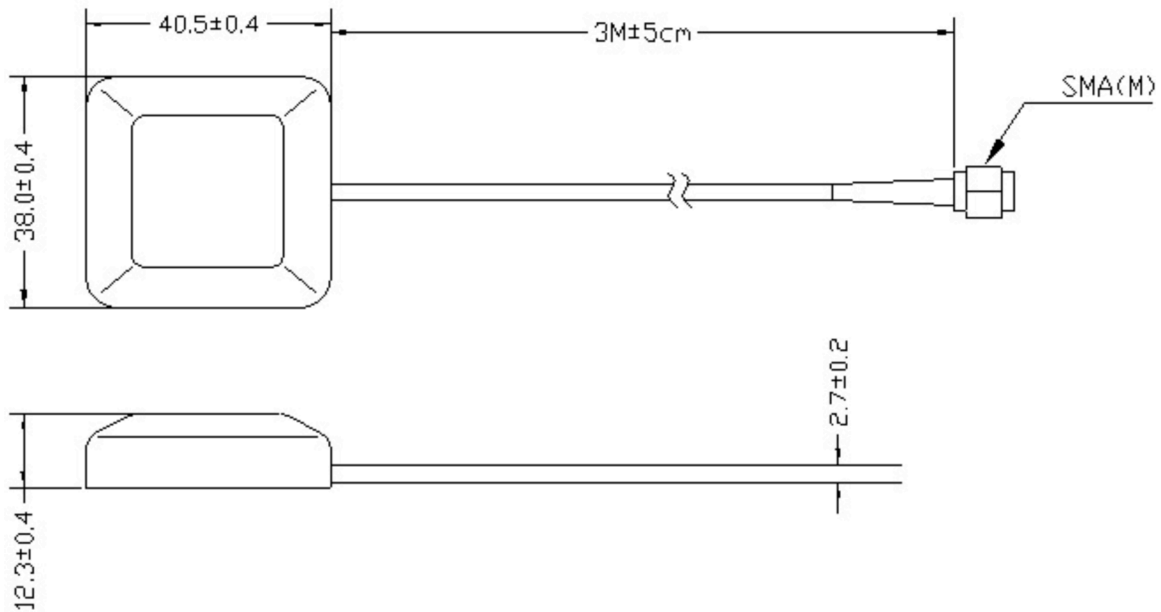
Optimal position for automobile applications is on the roof top of the vehicles. If the GPS antenna unit is to be placed inside the car, be certain to avoid coverage by metal objects or behind heated windshield, for optimal performance.

## Specification

Antenna	Specification
Frequency	1575.42 ± 1.023MHz
Antenna Dimension	25mm x 25mm x 4mm
Gain	+5.0 dBi typ, at Zenith, Ref to 70 x70mm ground plane
Polarazation	RHCP
Axel Ratio	3.0dB Max, Ref. to 70 x70mm Ground Plane
	<b>LNA</b>
Frequency Range	1575.42 ± 1.023MHz
Gain	1575.42MHz, 28dB Typ.
Noise Figure	1.6dB Max @ 25°C±5°C @3.0VDC
Output Impedance	50Ω
	<b>Total Specification</b>
Frequency Range	1575.42 ± 1.023MHz
Gain	35dBi Max, Ref. to 70 x70mm Ground Plane
Output Impedance	50Ω
VSWR	2.0 Max
RF Cable	RG174 , ∅2.7 ± 0.1mm , 1,5m
RF Connector	SMA (M)
	<b>Electrical Specification</b>
Operating Voltage	Min: 2.5 V Typ: 3.0 V Max:5.5 V
Current Consumption	Typ: 11 mA Max: 15mA @ 3.0V
	<b>Environmental Conditions</b>
Operating Temperature	-40°C to + 85°C
Storage Temperture	-40°C to + 85°C
Relative Humidity	40% to 95%

	Mechanical Specification
RF Cable	Standard 3 m RG174/U with standard connector
RF Connector	SMA
Size	40.5x38.0x12.3mm
Weight	105g Max.
Mounting	Magnet mount.
Horizontal Pulling Force	1.5 Kg
Water proof	Under Water 50cm, 30min max
Shock	10 msec. Half Sine Wave
Vibration	10~200Hz Log. Sweep 3.0G sweep time: 15 Minutes, 3 Axes
Magnetic Threshold	The antenna must stay attached at speeds of 180km/h.
Cable Pulling Off Force	Min 7kg/10sec, no visible damage.
Bending Test	Min 90 Degree left and right 1000 cycles, no damage.





#### Ordering codes

TYPE	Description	Comment
ADA-A720-S	GPS High Gain Puck Antenna	Magnetic Mount Puck Antenna

For the latest updates, visit our Web site: [www.adactus.se](http://www.adactus.se)

#### Disclaimer

Information furnished is believed to be accurate and reliable. However, Adactus assumes no responsibility for the consequences of use of such information nor for any infringement of patents or other rights of third parties which may result from its use. Adactus reserves the right to make changes without further notice to any product herein to improve reliability, function or design. Adactus does not assume any liability arising out of the application or use of any product described herein.

This publication supersedes and replaces all information previously supplied. Adactus products are not authorised as critical components in life support devices or systems.

## **X-ON Electronics**

Largest Supplier of Electrical and Electronic Components

*Click to view similar products for [adactus](#) manufacturer:*

Other Similar products are found below :

[ADA-76](#) [ADA WLAN 25254](#) [ADA-0087QU-I](#) [ADA-0087QU-L](#) [ADA-A101-S](#) [ADA 0068QUW](#) [ADA-0086QU-I](#) [ADA0040](#) [ADA-0186QU](#)  
[ADA 0186 433](#) [ADA-0062Q/U-SMA](#) [ADA-25252](#)