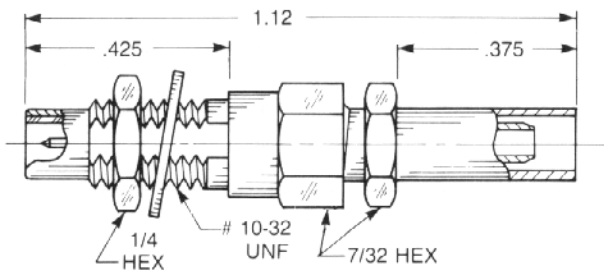


## Straight Male Bulkhead Cable Jack

Clamp type for flexible cable:  
**1003-1551-0XX** (Gold plated)  
**1003-7551-0XX** (Nickel plated)

Solder-clamp for semi-rigid cable:  
**1003-1541-0XX** (Gold plated)  
**1003-7541-0XX** (Nickel plated)

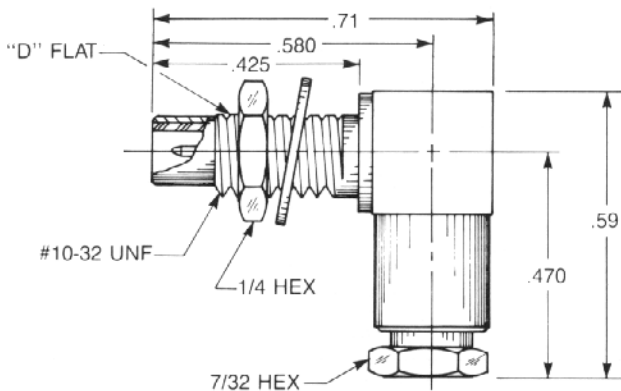
QPL version available (M39012/76)



## Straight Male Bulkhead Cable Jack

Crimp type for flexible cable:  
**1003-1571-0XX** (Gold plated)  
**1003-7571-0XX** (Nickel plated)

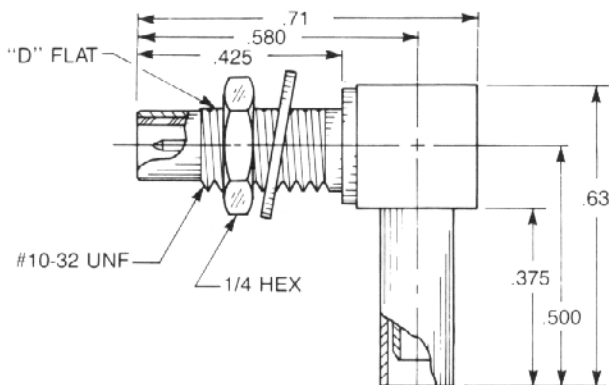
QPL version available (M39012/76)



## Bulkhead Mounted Right Angle Male Cable Jack

Clamp type for flexible cable:  
**1006-1551-0XX** (Gold plated)  
**1006-7551-0XX** (Nickel plated)

Solder-clamp for semi-rigid cable:  
**1006-1541-0XX** (Gold plated)  
**1006-7541-0XX** (Nickel plated)



## Bulkhead Mounted Right Angle Male Cable Jack

Crimp type for flexible cable:  
**1106-1521-0XX** (Gold plated)  
**1106-7521-0XX** (Nickel plated)

Substitute the appropriate cable group for 'XX':	
02	RG178, RG196, M17/93, M17/169
03	RG174, RG179, RG316, M17/113, M17/119, M17/172, M17/173
05	RG178DS, RG196DS
09	.141" semi-rigid, RG402, M17/130
10	.085" semi-rigid, RG405, M17/133
19	RG174DS, RG316DS, M17/152, Times RD316

## X-ON Electronics

Largest Supplier of Electrical and Electronic Components

*Click to view similar products for [radiall](#) manufacturer:*

Other Similar products are found below :

[F760858219](#) [R296701967](#) [8959-1511-004](#) [5919-1503-000](#) [5938-1503-000](#) [7101-1541-010](#) [7105-1561-010](#) [MD11-035](#) [81-6201-0450](#) [9074-9513-000](#) [9620-9003-151](#) [R113425097](#) [R114305000W](#) [R124075210](#) [R125055000](#) [R125512000W](#) [R141154000W](#) [R141572000](#) [R143012000](#) [R143235161W](#) [R166268000](#) [R176019000](#) [R191841001W](#) [R282102000](#) [R282744220](#) [R282918120](#) [R404770000](#) [R414430150](#) [R414520150](#) [R433514700](#) [R570022105](#) [R570123005](#) [R570363010](#) [R570442000](#) [R570E52010](#) [R574402410](#) [R577443000](#) [R585423230](#) [R114425000](#) [R124510000](#) [R125052500](#) [R125320020W](#) [R127.870.001](#) [R141331500W](#) [R162017000W](#) [R176404000](#) [R191970091](#) [R213665000](#) [R282120010](#) [R282750000](#)