

6522 Frequency meter or tachometer

- High count speed, numerous programming options
- Scaling factor 0.0001 to 99.9999, division factor 0.00001 to 99.999
- Big keys for use when wearing gloves

Count frequency up to 60 kHz

Wide power supply range

Large, bright display, 8 mm high

Fast, accurate (<0.1%)
tachometer measurement

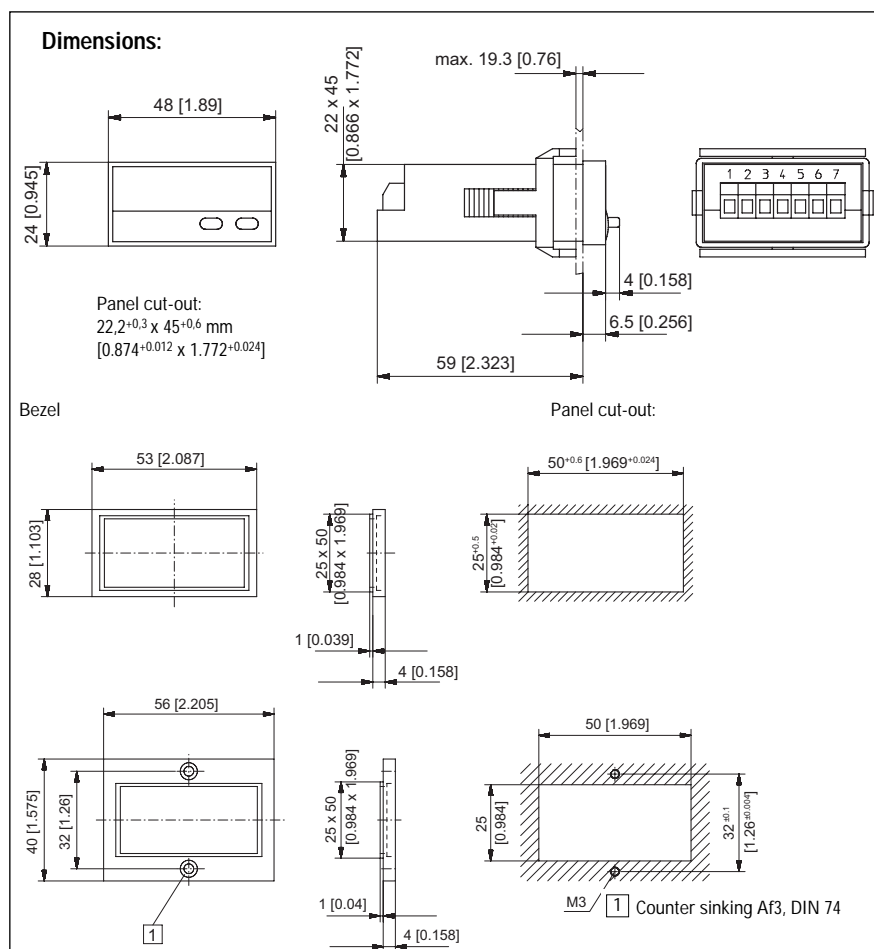
Programmable, display in 1/sec or 1/min

HRA (High Rate Accuracy System)



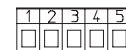
Technical data:

Power supply:	10 ... 30 V DC, with reverse polarity protection	Level of the inputs:	Low: 0 ... 0,2 x U _B [V DC] High: 0,6 x U _B ... 30 V DC
Current consumption:	max. 50 mA	Level of inputs: 5 V version	Low: 0 ... 2 V DC High: 4 ... 30 V DC
Display:	6-digit red 7 segment LED display; figures 8 mm [0.315"] high	Optocoupler output:	Max. 30 V, 10 mA
Data retention:	EEPROM	Accuracy:	<0,1 %
Housing:	Dimensions 48 x 24 mm [1.89 x 0.945"] according to DIN 43 700; RAL 7021, grey	Ambient temperature:	-10 ... +50 °C [14 °F ... 122 °F], non-condensing
Polarity of the inputs:	programmable, npn or pnp	Storage temperature:	-25 ... +70 °C [-13 °F ... 158 °F]
Input resistance:	approx. 5 kΩ	EMC:	according to EC EMC directive 89/36/EWG
Count frequency:	max. 60 kHz, can be damped to 30 Hz	Interference emission:	EN 61000-6-4/EN 55011 class B
Measurement principle:	Time-base (gate time) or time-interval (process time) with high accuracy <0.1%	Interference resistance:	EN 61000-6-2
		Protection:	IP65 (front)
		Weight:	approx. 50 g [1.764 oz]



Connection:

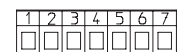
without optocoupler



- 1 10 ... 30 V DC
- 2 0 V GND
- 3 INP
- 4 -
- 5 -

Connection:

with optocoupler (npn)



- 1 10 ... 30 V DC
- 2 0 V GND
- 3 INP
- 4 -
- 5 -
- 6 Emitter
- 7 Collector

Delivery specification:

- 1 Digital display
- 1 Panel mounting clip
- 1 Bezel for screw mounting,
panel cut out 50 x 25 mm [1.969 x 0.984"]
- 1 Bezel for clip mounting,
panel cut out 50 x 25 mm [1.969 x 0.984"]
- 1 Seal
- 1 Multilingual operating instructions

Order code:

6.522.01X.3X0

Level of inputs
0 = Standard
A = 5 V

Output
1 = Optocoupler
2 = no output

X-ON Electronics

Largest Supplier of Electrical and Electronic Components

Click to view similar products for [kübler](#) manufacturer:

Other Similar products are found below :

[05.2400.1122.0360](#) [3.167.211.075](#) [6.529.012.300](#) [05.2400.1122.0100](#) [3.100.200.383](#) [1.130.000.033](#) [1.150.510.013.550](#) [6.521.012.300](#)
[1.132.101.033](#) [1.150.510.012.550](#) [3.102.101.383](#)