

Surface Mount Type

Series: EP(Thin Type)

Discontinued

■ Features

- The industry minimum size 1.0 mm in height
- Reflow soldering method available (260 ° C)
- RoHS directive compliant



■ Recommended Applications

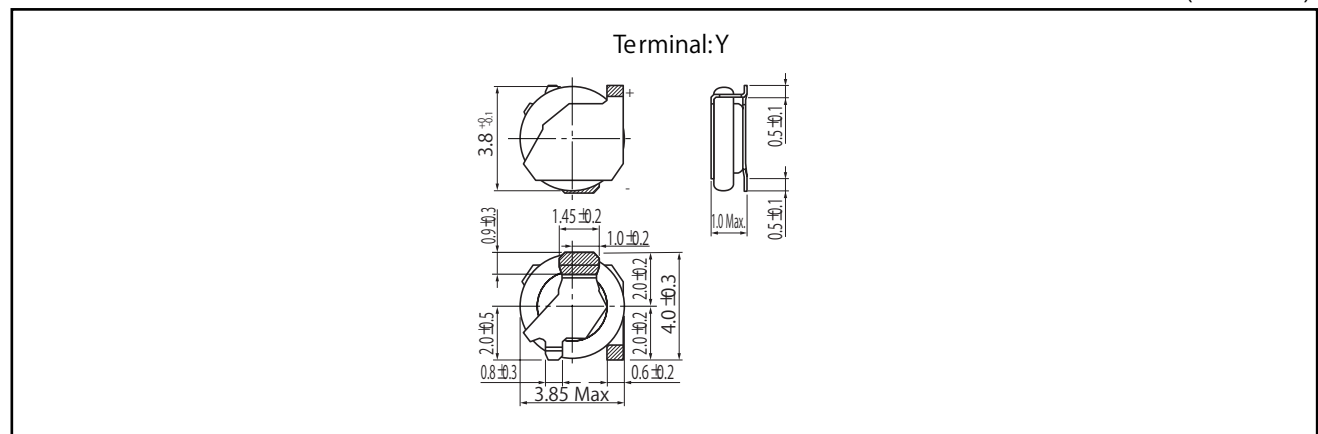
- RTC back-up in thin and light devices such as mobile phones, smart phones and tablet PC

■ Specifications

Category Temp. Range	-10 °C to +60 °C		
Maximum Operating Voltage	3.3 V DC		
Nominal capacitance	0.03 F		
Stability at Low and High Temperature		Lower category temp. (-10 ° C)	Upper category temp. (+60 ° C)
	Capacitance change	±30 % of initial measured value at 20 ° C	±30 % of initial measured value at 20 ° C
	Internal resistance	<10 times of initial measured value at 20 ° C	350 Ω or less
Endurance	After 250 hours application of 3.3 V at +60 ° C		
	Capacitance change	±30 % of initial measured value at 20 ° C	
	Internal resistance	4 kΩ or less	
Shelf Life	After 500 hours storage at +60 ° C without load (voltage)		
	Capacitance change	±30 % of initial measured value at 20 ° C	
	Internal resistance	1 kΩ or less	

■ Dimensions in mm(not to scale)

(Unit : mm)



■ Standard Products

Maximum Operating Voltage (V.DC)	Capacitance (F)	Capacitance tolerance	Internal resistance (Initial specified value) (Ω) at 1 kHz	Maximum discharging current (μA)	Part number	Mass (g)	Min. Packaging Q'ty (pcs)
3.3	0.03	-20% to +80%	<350	5	EECEP0F303Y	0.06	5000

The re-flow condition / taping dimensions are explained on EE210, EE211 of our catalog.

Note : 1. Do not use reflow soldering when cell voltage is above 0.3 V.

2. When the capacitor is being used in a high temperature and high humidity environment for a long period, and will not affect any electrical characteristics of the capacitor.

3: EP series is a small capacitor that developed for the RTC backup of cellular phone. Therefore, there is a possibility that it will not be able to back up in short term depend on using condition. Please contact us before you use it

X-ON Electronics

Largest Supplier of Electrical and Electronic Components

Click to view similar products for [Supercapacitors](#) / [Ultracapacitors](#) category:

Click to view products by [Panasonic](#) manufacturer:

Other Similar products are found below :

[DCK-3R3E224U-E](#) [BZ12GA154ZHB](#) [BZ195B273ZNBDM](#) [C-TEC2403-1](#) [CEM2](#) [KW-5R5C105H-R](#) [KW-5R5C224H-R](#) [KR-5R5C105H-R](#)
[DBJ-5R5D105T](#) [DXJ-5R5H334U](#) [DSK-3R3H703T414-HRL](#) [DHL-5R5D224GT](#) [LX055105A](#) [LT055105A](#) [SCCY73B407SLBLE](#)
[VPF127M3R8](#) [VPF706M3R8](#) [VMF706M3R8](#) [VMF506M3R8](#) [VPF506M3R8](#) [VMF306M3R8](#) [VPF227M3R8](#) [VMF227M3R8](#) [VMF127M3R8](#)
[DB5U207M30045HA](#) [DH5U128W60074TH](#) [DRE10/2.5](#) [DRL106S0TI25RRDAP](#) [DRL226S0TK25RR](#) [106DCN2R7M](#) [SCCR20B335SRB](#)
[SCCS30B106SRB](#) [SCCT30B156SRB](#) [SCCU30B306MRB](#) [SCCW45B107VSB](#) [SCMR14C474MSBA0](#) [SCMR22C155MRBA0](#)
[SCMR22C155MSBA0](#) [SCMS22C255MRBA0](#) [SCMT22C505MRBA0](#) [SCMT32C755MRBA0](#) [DRL475S0TG20RRDAP](#) [FT0H225ZF](#)
[FCS0H224ZFTBR24](#) [FR0H473ZF](#) [GS206F](#) [DS5U506M18040BB](#) [SCCV40B506MRB](#) [NEXT474Z5.5V16.5X13F](#) [DBJ-5R5D224T](#)