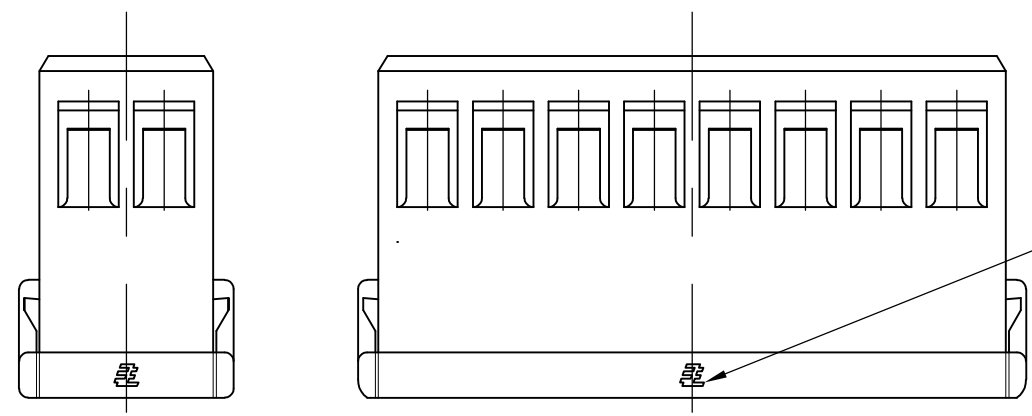


THIS DRAWING IS UNPUBLISHED. RELEASED FOR PUBLICATION
 © COPYRIGHT 2004 By - ALL RIGHTS RESERVED.

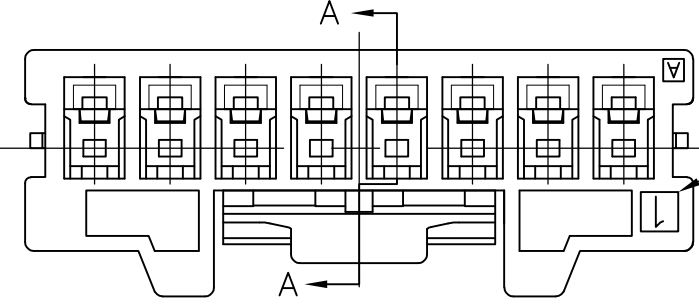
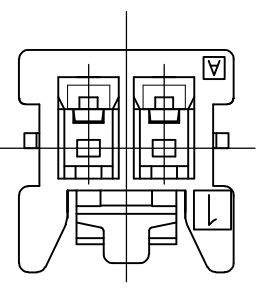
LOC	DIST	REVISIONS					
J	/	P	LTR	DESCRIPTION	DATE	DWN	APVD
		E1		REVISED PER ECO-11-005030	11MAR11	RK	HMR

<2極>
(2 POS)

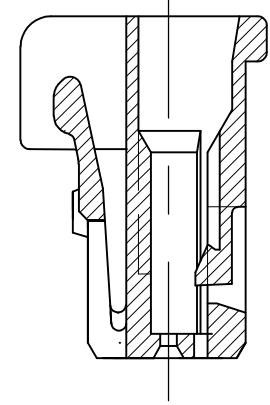
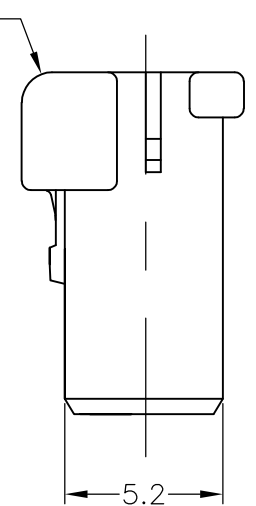
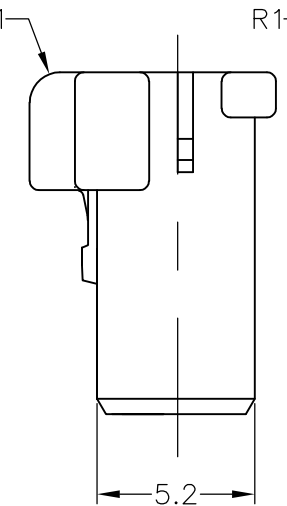
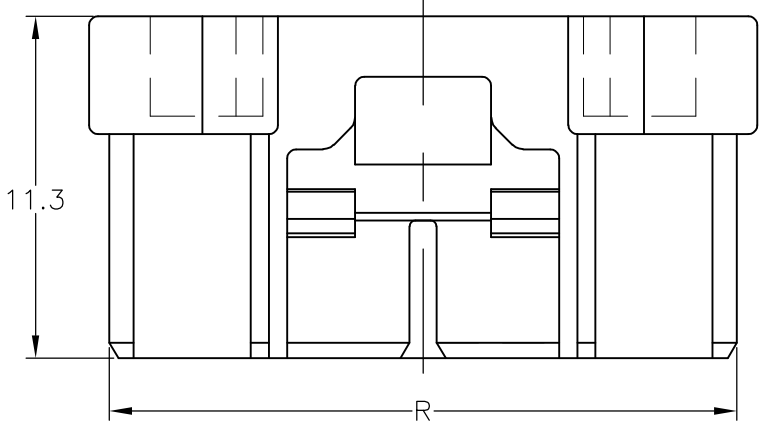
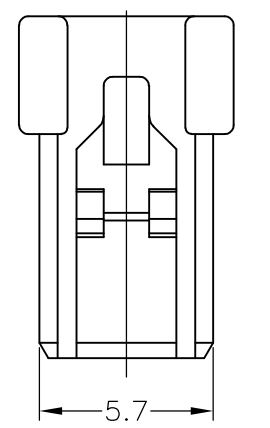
-1747066-; AS SHOWN



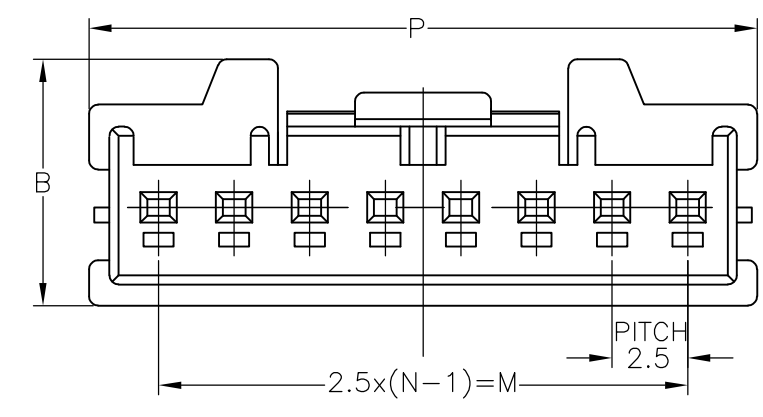
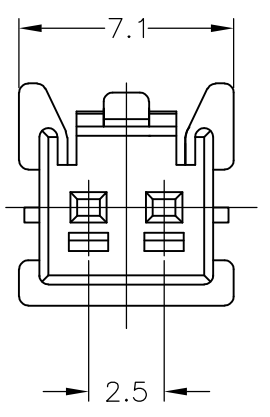
トレードマーク
TRADE MARK



回路番号1
CIRCUIT NO.1



4 POS~8 POS 2 POS, 3 POS



- 1 一般公差: ±0.3, ±3°
- 2 材料: 66ナイロン ガラス強化 (UL94V-0)
- 3 かん合相手製品型番: 表参照のこと。
- 4 適用端子型番: 1747062-1
1747063-1
1747591-1
1827290-1
1871859-1

- 1 GENERAL TOLERANCE: ±0.3, ±3°
- 2 MATERIAL: 66NYLON GF (UL94V-0)
- 3 MATING CONN. P/N: SEE TABLE
- 4 APPLICABLE CONTACT P/N: 1747062-1
1747063-1
1747591-1
1827290-1
1871859-1

Part No.	Width	Height	Pin Spacing	Pin Length	Pin Dia.	Pin Count	Color	Part No.
X-1871843-8	20.8	22.1	17.5	8.15	8	黄 (YELLOW)	3-1747066-8	
X-1747067-8						青 (BLUE)	2-1747066-8	
						赤 (RED)	1-1747066-8	
						自然色 (NATURAL)	1747066-8	
X-1747067-7	18.3	19.6	15	7.85	7	黄 (YELLOW)	3-1747066-7	
						青 (BLUE)	2-1747066-7	
						赤 (RED)	1-1747066-7	
						自然色 (NATURAL)	1747066-7	
X-1871843-6	15.8	17.1	12.5	7.7	6	黄 (YELLOW)	3-1747066-6	
X-1747067-6						青 (BLUE)	2-1747066-6	
						赤 (RED)	1-1747066-6	
						自然色 (NATURAL)	1747066-6	
X-1871843-5	13.3	14.6	10	7.65	5	黄 (YELLOW)	3-1747066-5	
X-1747067-5						青 (BLUE)	2-1747066-5	
						赤 (RED)	1-1747066-5	
						自然色 (NATURAL)	1747066-5	
X-1871843-4	10.8	12.1	7.5	7.45	4	黄 (YELLOW)	3-1747066-4	
X-1747067-4						青 (BLUE)	2-1747066-4	
						赤 (RED)	1-1747066-4	
						自然色 (NATURAL)	1747066-4	
X-1871843-3	8.3	9.6	5	7.35	3	黄 (YELLOW)	3-1747066-3	
X-1747067-3						青 (BLUE)	2-1747066-3	
						赤 (RED)	1-1747066-3	
						自然色 (NATURAL)	1747066-3	
X-1871843-2	5.9	7.1	2.5	7.35	2	黒 (BLACK)	4-1747066-2	
X-1747067-2						黄 (YELLOW)	3-1747066-2	
						青 (BLUE)	2-1747066-2	
						赤 (RED)	1-1747066-2	
						自然色 (NATURAL)	1747066-2	
かん合相手側型番 (MATING CONN P/N)	R	P	M	B	N 極数 (Pos.)	色調 (COLOR)	型番 (P/N)	

THIS DRAWING IS A CONTROLLED DOCUMENT.

DWN: T.HATANO 09JUN2004
 CHK: A.OISHI 09JUN2004
 APVD: N.YAMASAKI 09JUN2004

NAME: GRACE INERTIA CONNECTOR 2.5 PLUG HSG

PRODUCT SPEC: 108-5992
 製品規格: 108-78307

APPLICATION SPEC: 114-5359
 取付適用規格

WEIGHT: A300779

DRAWING NO: C-1747066

RESTRICTED TO: -

CUSTOMER DRAWING

SCALE: 4:1 SHEET: 1 OF 1 REV: E1

X-ON Electronics

Largest Supplier of Electrical and Electronic Components

Click to view similar products for [Headers & Wire Housings](#) category:

Click to view products by [TE Connectivity](#) manufacturer:

Other Similar products are found below :

[95000-104TRLF](#) [10135584-644402LF](#) [DF62W-EP2022PCA](#) [95000-106TRLF](#) [DF62W-2022SCA](#) [DF62W-EP2022PC](#) [2203348](#) [DF62W-2022SC](#) [1084018](#) [1029039](#) [1084017](#) [802-10-012-10-002000](#) [1112640](#) [1112639](#) [891-007-9SS-BST1T](#) [000-34000](#) [0008550134](#) [0009482033](#) [0009507031](#) [57102-F02-18ULF](#) [57102-S06-03LF](#) [57202-S52-04LF](#) [PCN6-15S-2.5E](#) [0039019024](#) [58102-G61-06LF](#) [582553-1](#) [0009485154](#) [0009508121](#) [0022285053](#) [0050291907](#) [018731A](#) [LY20-4P-DT1-P1E-BR](#) [02.125.8002.8](#) [60101931](#) [60598-1 \(Cut Strip\)](#) [M1625-3R/100](#) [61062-3](#) [61082-181009](#) [CSU011177004](#) [636-1427](#) [638009-1](#) [641938-9](#) [641991-4](#) [644168-1](#) [644827-2](#) [647662-1](#) [65039-019ELF](#) [65692-001LF](#) [65781-018](#) [65781-047](#)