



LABFACILITY

TEMPERATURE & PROCESS TECHNOLOGY

Mineral Insulated Thermocouples With Compact KNS Terminal Head Type 'K' with KNS Head – 310 stainless steel



- ◆ Mineral insulated Type 'K' Thermocouple fitted with compact KNS terminal head
- ◆ 310 stainless steel sheath
- ◆ Highly flexible, sheath can be bent/formed to suit many applications and processes
- ◆ 6.0mm diameter
- ◆ Insulated hot junction
- ◆ Probe temperature range -40°C to +1100°C
- ◆ Head fitted 2 way ceramic block
- ◆ Cast aluminum finish, screw type lid with chain
- ◆ M16 x 1.5mm Plated brass gland fitted
- ◆ Max temp of head is 170°C
- ◆ IP67 rated

Specifications

Sensor type:	Type 'K' (Nickel Chromium/Nickel Aluminium) to IEC 584
Construction:	Flexible mineral insulated probe with 310 stainless steel sheath
Element/hot junction:	Single element, junction insulated from sheath (offers protection against spurious electrical signals)
Termination:	Compact KNS head, cast aluminium finish
Probe temperature range:	-40°C to +1100°C

About Labfacility

Formed in 1971, Labfacility specialize in the field of Temperature and Process Measurement.

We are the largest UK manufacturer of both temperature sensors and thermocouple connectors

Quality & Service

Quality and Service are key elements in the continued growth of Labfacility.

Technical support is always freely available from our experienced technical sales teams and the company has ISO9001 accreditation.

Contact Details

Email
sales@labfacility.com

Website
www.labfacility.com

LABFACILITY

TEMPERATURE & PROCESS TECHNOLOGY

310 stainless steel

Good corrosion & oxidation resistance to suit a wide range of processes, satisfactorily operates in sulphur bearing atmospheres.

Typical applications include brick & cement kilns, glass industry, heat treatment & annealing furnaces, power stations, flues, heat exchangers etc.

T/C Type	Probe Dia. (mm)	Probe Length (mm)	Sheath	Manufacturing Part No.	Farnell Order Code
K	6.0	100	310SS	MC-ISK-S60-100-KNS-I	242-0303
K	6.0	150	310SS	MC-ISK-S60-150-KNS-I	242-0304
K	6.0	200	310SS	MC-ISK-S60-200-KNS-I	242-0305
K	6.0	250	310SS	MC-ISK-S60-250-KNS-I	242-0306
K	6.0	300	310SS	MC-ISK-S60-300-KNS-I	242-0307

About Labfacility

Formed in 1971, Labfacility specialize in the field of Temperature and Process Measurement.

We are the largest UK manufacturer of both temperature sensors and thermocouple connectors.

Quality & Service

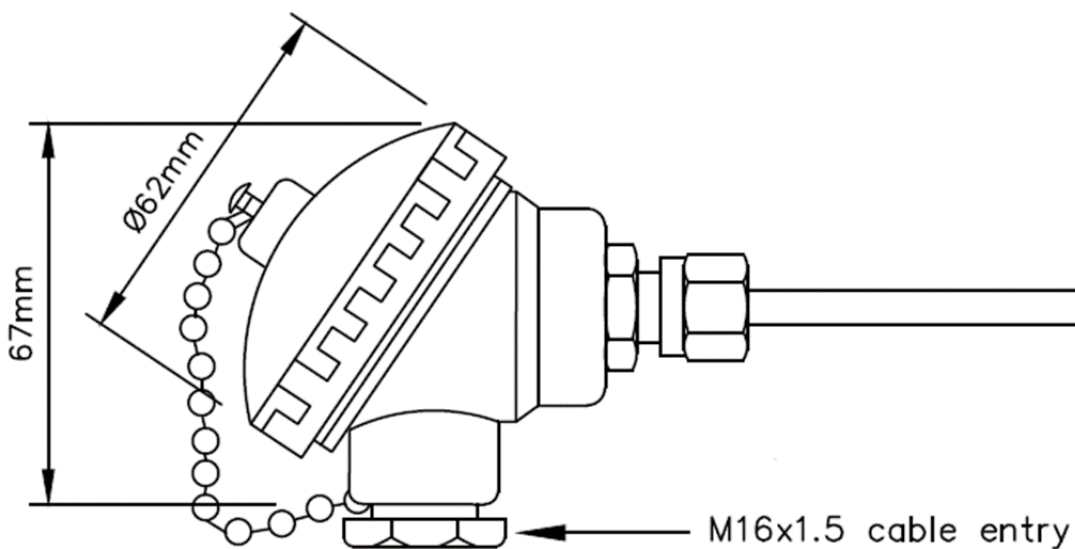
Quality and Service are key elements in the continued growth of Labfacility.

Technical support is always freely available from our experienced technical sales teams and the company has ISO9001 accreditation.

Contact Details

Email
sales@labfacility.com

Website
www.labfacility.com



X-ON Electronics

Largest Supplier of Electrical and Electronic Components

Click to view similar products for [Board Mount Temperature Sensors](#) category:

Click to view products by [Labfacility](#) manufacturer:

Other Similar products are found below :

[5962-8757102XA](#) [66F115](#) [MCP9808-EMS](#) [MCP98242T-BEMNY](#) [MCP9843T-BEMC](#) [EMC1063-1-ACZL-TR](#) [NCT218FCT2G](#)
[O53GAB175A-160Y](#) [OH10/62,112](#) [3610085020002](#) [389049M9527](#) [TC622EAT](#) [TC6501P095VCTTR](#) [TC6501P105VCTTR](#)
[TC6501P125VCTTR](#) [MCP9802A0T-M/OT](#) [MCP9803T-M/SN](#) [MCP9843-BEST](#) [TC6501P115VCTTR](#) [TC6502P065VCTTR](#)
[ADM1023ARQZ-REEL](#) [ADM1024ARUZ-REEL](#) [ADM1032ARMZ-1RL](#) [AT30TS74-U1FMBB-T](#) [AT30TS74-U1FMAB-T](#) [AT30TS74-](#)
[U1FMCB-T](#) [AT30TS74-U1FMDB-T](#) [ADT7483AARQZ-RL](#) [ADT7481ARMZ-REEL](#) [ADT7463ARQZ-REEL](#) [MCP98243T-BEMNY](#)
[MCP98243T-BE/MC](#) [66L080-0226](#) [MAX31820MCR+T](#) [MAX1452CAEC8H](#) [DS1780E](#) [TMP05BKSZ-REEL7](#) [5962-8757103XA](#) [WTK-14-](#)
[36/N](#) [E52-CA6D-N 4M](#) [MCP98244T-BEMNY](#) [MCP9802A5T-MOT](#) [MAX6581TG9A+T](#) [DS75S-C11+T&R](#) [S-58LM20A-I4T1U](#)
[MAX6501UKP120+T](#) [MCP98243T-BE/ST](#) [AT30TS01-MAA5M-T](#) [NCT375DR2G](#) [DS18S20-SL+T&R](#)