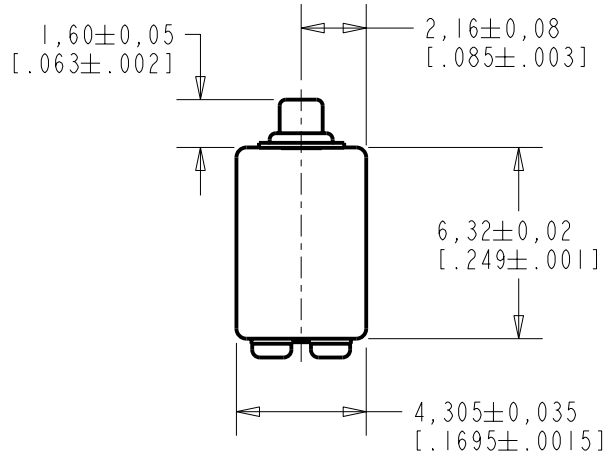
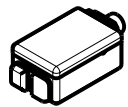
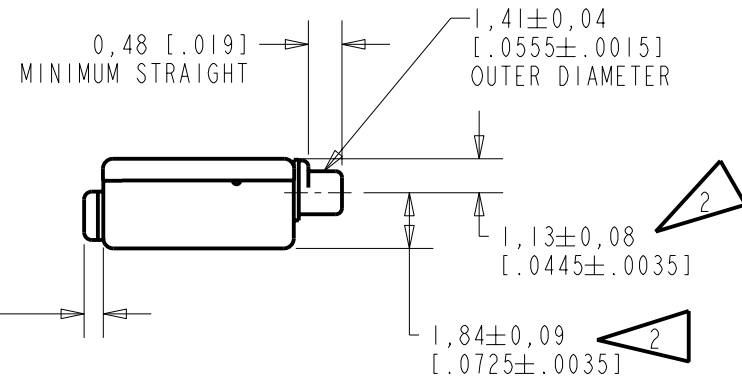
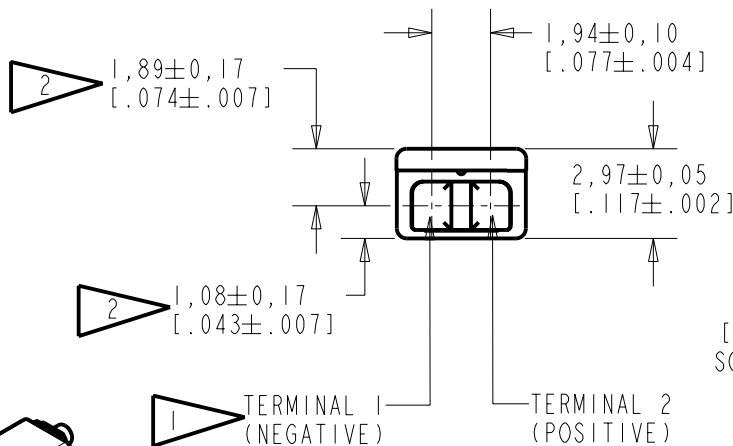


**ED-21913-000**  
SHT 1.1



NOTE:

- ① A POSITIVE GOING VOLTAGE AT TERMINAL 2, RELATIVE TO TERMINAL 1, CAUSES A DECREASE IN PRESSURE AT THE SOUND OUTLET.
- ② LOCATED FROM TWO SURFACES FOR CUSTOMER CONVENIENCE. ONLY APPLICABLE FROM ONE SURFACE, NOT TO BE USED TOGETHER. HORIZONTAL LOCATION FOR TERMINAL CENTERED TO  $\pm 0,17$  [.007].



SCALE 2:1

NOMINAL WEIGHT  
.31 GRAM

DIMENSIONS IN MILLIMETERS [INCHES]

Revision	C.O. #	Implementation Date	RELEASE LEVEL	REVISION
B	CI0103542	12-30-05	Released	B
A	CI0102712	06/03/05		

SCALE: 4:1		DR. BY: DMS	DATE: 06/03/05
DO NOT SCALE DRAWING			
TITLE: RECEIVER		ED-21913-000	
OUTLINE DRAWING		SHT 1.1	
		APP. BY: GJP	DATE: 06/13/05
		APP. BY: GJP	DATE: 06/13/05

**KNOWLES ELECTRONICS**  
ITASCA, ILLINOIS U.S.A.

- 4000-5000 109.0 113.0
3. RESPONSE, IMPEDANCE, AND DISTORTION MEASUREMENTS MADE USING THE ELECTRICAL TEST CONDITIONS SHOWN BELOW.
  4. ELECTRICAL SOURCE IMPEDANCE MUST BE GREATER THAN 20 TIMES 1KHz IMPEDANCE FOR TEST CONDITIONS SHOWN BELOW.
  5. INDIVIDUAL SPECIFICATIONS.

PORT LOCATION	IMPEDANCE OHMS $\pm 15\%$		DCR @20°C OHMS $\pm 10\%$	DISTORTION		ELECTRICAL TEST CONDITIONS	
	1KHz	500Hz		MAX. %	FREQ Hz	AC mA RMS	DC mA
12C	1450	780	376	5	800	0.50	0.70

Revision	C.O. #	Implementation Date	RELEASE LEVEL	REVISION
B	C10103542	12-30-05	<b>Released</b>	<b>B</b>
A	C10102712	06/03/05		

**KNOWLES ELECTRONICS**  
**ITASCA, ILLINOIS U.S.A.**

WHEN TEST LIMITS ARE USED TO ESTABLISH INCOMING INSPECTION ACCEPTANCE/REJECTION CRITERIA, CORRELATION OF TEST EQUIPMENT WITH KNOWLES IS ALSO REQUIRED FOR ELIMINATION OF EQUIPMENT AND TEST METHOD VARIATION		DR. BY	DATE
		DMS	06/03/05
TITLE: <b>RECEIVER</b> PERFORMANCE SPECIFICATION		CK. BY	DATE
		GJP	06/13/05
<b>ED-21913-000</b> <b>SHT 2.1</b>		APP. BY	DATE
		GJP	06/13/05

## X-ON Electronics

Largest Supplier of Electrical and Electronic Components

*Click to view similar products for [knowles manufacturer](#):*

Other Similar products are found below :

[SR-31843-000](#) [FG-23652-D65](#) [BK-28562-000](#) [ED-26821-000](#) [SPH1611LR5H-1](#) [FG-23453-C05](#) [KAS-700-0145](#) [UL-0603-KITSET34-AB](#)  
[AUTO-AECQ-HV-KIT45](#) [8131M5000274MXC42](#) [KAS-700-0152](#) [KAS-700-0151](#) [SR-32453-000](#) [2900-253091](#) [EH-27479-000](#) [FED-30048-](#)  
[I04](#) [SBSGC5000102MXB](#) [FG-23329-C05](#) [5100-253444](#) [KAS-700-0148](#) [KAS-700-0150](#) [BK-21613-000](#) [BF-3163-000](#) [GU-32829-000](#) [2800-](#)  
[253325](#) [1812Y1K00103KST](#) [FED-30027-I24](#) [VFG-30747-000](#) [KAS-700-0137](#) [5100-253441](#) [FED-27926-I04](#) [BF-3034-000](#)  
[1812Y2K00472KXT](#) [WBFK-30000-000](#) [SBSMC0500474MXB](#) [KAS-700-0146](#) [CI-30050-000](#) [TO38-30702-B20](#) [BK-21610-000](#) [FB-FO-](#)  
[23225-000](#) [EH-27233-000](#) [EK-23024-000](#) [BK-26824-000](#) [EM-24446-C36](#) [KAS-33100-0004](#) [SPH0642HT5H-1](#) [EC-27817-000](#) [ED-27305-](#)  
[000](#) [GV-32830-000](#) [2800-253788](#)