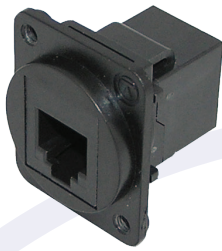




KCHDDpm



KCK66Dpm



KCUABDpm



KCUAA2Dpm



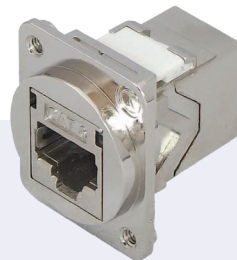
SACK2Dpm



SGACK2SDSpm



SGKSsuDSpm



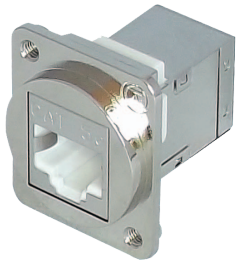
SACK3SDSpm



SACK90SDSpm



FACK2Dpm



FACKSDSpm



SKFDpm



SKmcdpm



KOCMMDpm



KOCSDpm



KOLMMDXpm



KOLSMDXpm



KOTMMDpm



KOTSMDpm



KBNC50Dpm



KBNC75Dpm



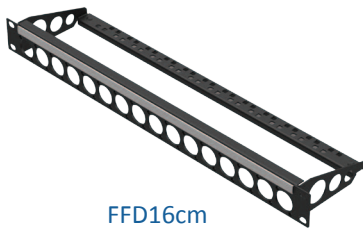
KSPbkDpm



KSPrdDpm



KADkpk



FFD16cm

Code	Description
KCHDDpm	HDMI female to female coupler
KCK66Dpm	RJ12 6p6c female to female coupler
KCUABDpm	USB A female to B female coupler, reversible
KCUAA2Dpm	USB2.0 A female to A female coupler
SACK2Dpm	Category 6 coupler, unshielded
SGACK2SDSpm	Category 6A coupler, shielded
SGKSsuDSpm	Category 6A tool-less socket, shielded
SACK3SDSpm	Category 6 coupler, shielded
SACK90SDSpm	Cat 6 keystone coupler, w/rear outlet 90 degrees to front outlet, shielded or unshielded
FACKSDSpm	Category 5e keystone coupler, shielded
SKFDpm	Category 6 tool-less IDC socket, unshielded
SKmcDpm	Category 6 socket, LSA-Plus and 110 type termination, unshielded
KOCMMDpm	Fibre coupler SC to SC, multi mode simplex
KOCSMDpm	Fibre coupler SC to SC, single mode simplex
KOLMMDXDpm	Fibre coupler LC to LC, multi mode duplex
KOLSMDXDpm	Fibre coupler LC to LC, single mode duplex
KOTMMDpm	Fibre coupler ST to ST, multi mode simplex, black dustcover
KOTSMDpm	Fibre coupler ST to ST, single mode simplex, yellow dustcover
FACK2Dpm	Category 5e keystone coupler, unshielded
KBNC50Dpm	BNC 50 ohm in D UNIVERSAL adaptor
KBNC75Dpm	BNC 75 ohm in D UNIVERSAL adaptor
KSPbkDpm	Speaker module with black elastic identifier
KSPrdDpm	Speaker module with red elastic identifier
FFD16cm	16 port panel for D UNIVERSAL series connectors with cable management
KADscrew R/F	M3 screw to fit standard panels, in bag of 50 pieces; roundhead or flathead, black
KADkpk	D UNIVERSAL Blank

More Information:

TUK's D UNIVERSAL series of connectors offers a wide variety of audio, video and data connectors all available for use in standard 'D Series' XLR type cut-outs.

Designed for rear mounting, our connectors have a pleasing flush appearance when mounted in suitable panels. All items in the range can be mounted quickly without need for any securing nuts, as our mounting plates (made from black polycarbonate or nickel plated PC/ABS according to connector type) are pre-threaded for M3 screws.

All connectors are made to relevant standards. Category 6 and 6A connectors are produced, for example, to FCC68 and to TIA/EIA 568B and have an insertion life of >750 mating cycles. All products are CE compliant (i.e including ROHS and REACH)

TUK will be expanding the range available and continue to make new releases.

Specifications:

- Each connector supplied as a kit comprises of connector and D UNIVERSAL adaptor (KADpm)
- For specifications of couplers and sockets, see separate web pages as follows:
 - HDMI coupler: http://www.tuk.co.uk/tuk_live/product_details.php?category_id=&pId=185
 - RJ12 coupler: http://www.tuk.co.uk/tuk_live/product_details.php?category_id=&pId=170
 - USB2.0 AB keystone coupler: http://www.tuk.co.uk/tuk_live/product_details.php?category_id=&pId=182
 - USB2.0 AA keystone coupler: http://www.tuk.co.uk/tuk_live/product_details.php?category_id=&pId=224
 - Fibre couplers and sockets: http://www.tuk.co.uk/tuk_live/product_details.php?category_id=&pId=209
 - Cat 6 coupler, unshielded: http://www.tuk.co.uk/tuk_live/product_details.php?category_id=&pId=60
 - Cat 6A coupler, shielded: http://www.tuk.co.uk/tuk_live/product_details.php?category_id=&pId=150
 - Cat 6A tool-less socket, shielded: http://www.tuk.co.uk/tuk_live/product_details.php?category_id=&pId=113
 - Cat 6 tool-less socket, unshielded: http://www.tuk.co.uk/tuk_live/product_details.php?category_id=&pId=173
 - Cat 5e coupler: http://www.tuk.co.uk/tuk_live/product_details.php?category_id=&pId=61
 - BNC 50 ohm: http://www.tuk.co.uk/tuk_live/product_details.php?category_id=1&pId=218
 - BNC 75 ohm: http://www.tuk.co.uk/tuk_live/product_details.php?category_id=1&pId=221
 - Speaker module: http://www.tuk.co.uk/tuk_live/product_details.php?category_id=1&pId=201
 - 90° Cat 6 Panel Mount Coupler: http://www.tuk.co.uk/tuk_live/product_details.php?category_id=&pId=133
- FFD16: Steel Panel punched for D UNIVERSAL/XLR type connectors, with removable labelling strip and fixed cable management bar

D UNIVERSAL adaptor (KADpm)

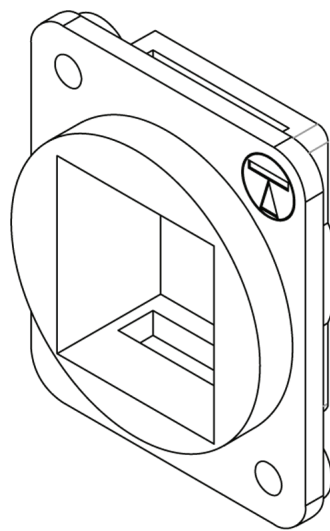
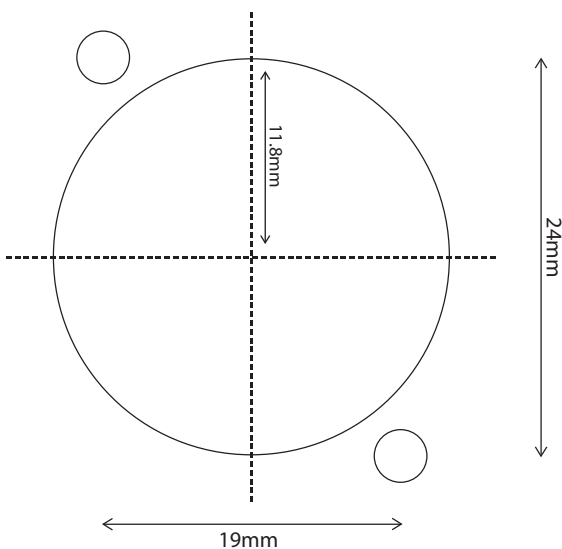


Front

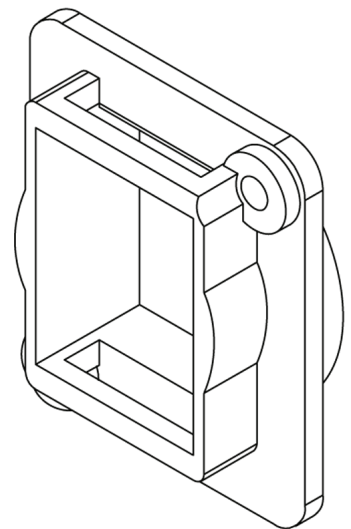


Back

Requirements for cut-out:



Front



Back

X-ON Electronics

Largest Supplier of Electrical and Electronic Components

Click to view similar products for [Modular Connectors](#) / [Ethernet Connectors](#) category:

Click to view products by [Tuk](#) manufacturer:

Other Similar products are found below :

[RJE231881317T](#) [MP1010RX-1000](#) [MP44RX-1000](#) [GAX-3-66](#) [GAX-8-62](#) [93606-0253](#) [GD-A-44](#) [GDCX-PA-66-50](#) [GDCX-PN-64](#) [GDCX-PN-66](#) [GDCX-PN-66-50](#) [GDLX-A-66](#) [GDLX-A-88](#) [GDLX-N-66](#) [GDLX-S-88K](#) [GDTX-S-88-50](#) [GDX-PA-1010](#) [GLX-N-1010M-BLK](#) [GLX-N-44M](#) [GLX-S-88M-BLK](#) [GMX-N-1010](#) [GMX-S-1010](#) [GMX-S-66](#) [GMX-SMT2-N-1010](#) [GMX-SMT2-N-64-50](#) [GMX-SMT2-S6-88](#) [GMX-SMT4-N-88](#) [GPX-2-64](#) [GRT1-BT1-5](#) [GSGX-N-2-88](#) [GSX-NS2-88-3.05](#) [GSX-NS2-88-3.05-50](#) [GSX-NS-88-3.05-30](#) [GSX-NS-88-3.05-50](#) [GSX-NS-88-3.68](#) [1-1775629-2](#) [GWLX-S-88-GR](#) [GWLX-S9-88-YG](#) [1300500326](#) [1300500227](#) [1300530003](#) [1300570002](#) [1324640-4](#) [RJ11FTVC2G](#) [RJ11FTVC2N](#) [RJFTVX2SA1G](#) [132764-001](#) [1400000](#) [1413176](#) [1413235](#)