

Category 5e Shielded Keystone Panel Mount Coupler



Category 5e Shielded Keystone Panel Mount Coupler (FACK2S, FACK2S-24)

Features

- Designed to fit industry standard keystone outlets, wall plates and patch panels
- High performance data throughput, meets Category 5e data transfer rates
- Unshielded versions available
- Plug insertion life ≥ 750 times
- Operating temperature: $-40^{\circ}\text{C} \sim +66^{\circ}\text{C}$
- Available as part of our innovative Panel Mount and D UNIVERSAL ranges

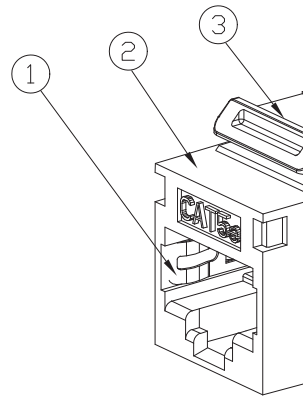
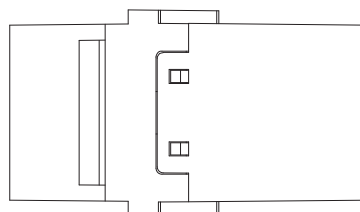
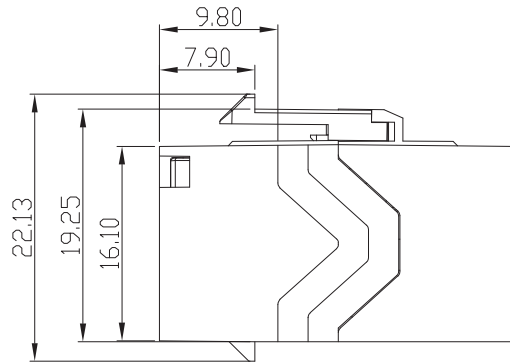
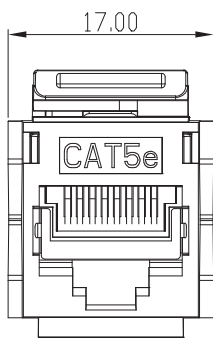
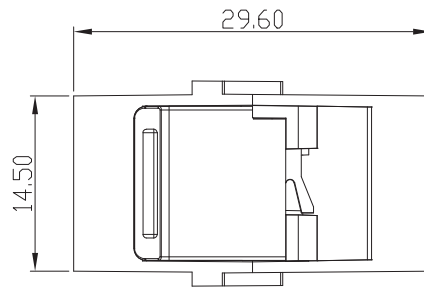
Packaging:

- Standard product is supplied in individual polythene bags. To save time for panel assemblers, FACK2S-24 is available as a “bulk-pack” of 24 pieces without individual bags.

Specifications

- **Materials**
 - Housing: Nickel plated zinc alloy
 - Contacts: Phosphor bronze, $50\mu\text{m}/1.27\mu\text{m}$ gold plated over contact area
 - Earthing lug material: Stainless steel SUS304
- **Colour:** Silver
- **Dimensions:**
 - FACK2S: 29.7 x 17 x 16.1 mm approx.
 - FACK2S-24: 280 x 70 x 35 mm approx.
- **Weight:**
 - FACK2S: 17g
 - FACK2S-24: 420g approx.

ROHS Compliant



ELECTRICAL
 CURRENT RATING : 1.5A
 DIELECTRIC WITHSTANDING
 INSULATION RESISTANCE :
 CONTACT RESISTANCE : 20
 MECHANICAL
 (1) Earthing lug materi
 (2) Front cover: Nicke
 (3) LATCH: PC FR
 (4) Bottom cover: Nicke

X-ON Electronics

Largest Supplier of Electrical and Electronic Components

Click to view similar products for [tuk](#) manufacturer:

Other Similar products are found below :

[SP0.5BL](#) [FJKPT](#) [SKMCBKDPM](#) [PXCAT6S8XL2](#) [KRCAWHBKDPM](#) [SP3RD](#) [SP5RD](#) [OT45BK](#) [SP5YW](#) [SKFYW](#) [SP10GY](#) [TSY](#)
[PXSPDY6S#100](#) [PSPDY5#100](#) [PSDL-6#20](#) [WJOL](#) [F78BKB](#) [FACK2BKDPM](#) [FJP2](#) [SKFBKDPM](#) [SPDL5BK](#) [SP10BK](#) [SKH1LJ](#)
[PXSPDY5#10](#) [PSDL-5#100](#) [WJSG](#) [FJ445](#) [SP2GN](#) [SP10GN](#) [SGKSSUPM](#) [SLJBKDPM](#) [SP10RD](#) [SILS](#) [SP5GN](#) [SGPZ10BK](#) [MGOP6](#)
[PXSPDY6#10](#) [TRCSPDY3](#) [SKH4](#) [SGKSSU-45WH](#) [SP10BL](#) [SGPZ3BK](#) [ADF](#) [CPR2](#) [SEKEI-45WH](#) [SGKH2](#) [TRCSPDYBP](#) [SP10YW](#)
[KPJ2BK](#) [KH2](#)