



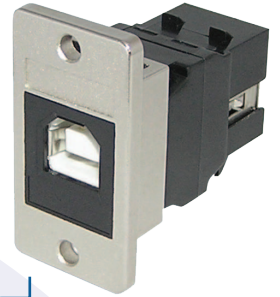
KCHDpm



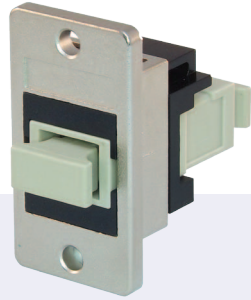
KCK66pm



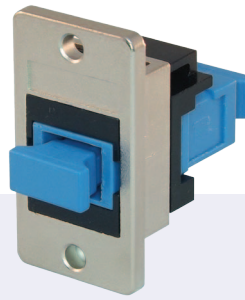
KCUABpm



KCUAA2bkpm



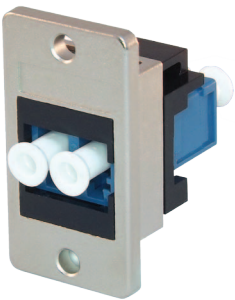
KOCMMpm



KOCSPM



KOLMMDXpm



KOLSMDXpm



KOTMMpm



KOTSPM



FACK2Spm



SGACK2Spm



SGKSsupm



SKFwhpm



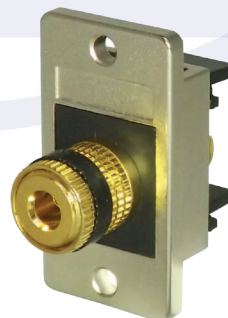
SKmcbkpm



FACK2pm



SACK2whpm



KSPbkpm



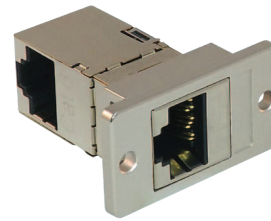
KSPrdpm



KBNC50whpm



KBNC75bkpm



SACK90Spm

Code	Description
KCHDpm	HDMI female to female coupler
KCK66pm	RJ12 6p6c female to female coupler
KCUABpm	USB A female to B female coupler, reversible
KCUAAPm	USB2.0 A female to A female coupler
KOCMMpm	Fibre coupler SC to SC, multi mode simplex
KOCSMpm	Fibre coupler SC to SC, single mode simplex
KOLMMDXpm	Fibre coupler LC to LC, multi mode duplex
KOLSMDXpm	Fibre coupler LC to LC, single mode duplex
KOTMMpm	Fibre coupler ST to ST, multi mode simplex, black dustcover
KOTSMPm	Fibre coupler ST to ST, single mode simplex, yellow dustcover
FACK2Spm	Category 5e coupler, shielded
SGACK2Spm	Category 6A coupler, shielded (Category 6 coupler, shielded also available)
SGKSsupm	Category 6A tool-less socket, shielded
SKFwhpm	Category 6 tool-less IDC socket, unshielded (Category 5e also available)
SKmcbkpm	Category 6 IDC socket, LSA-Plus and 110 type termination
FACK2pm	Category 5e coupler
SACK2whpm	Category 6 coupler, white
KSPbkpm	Speaker module with black elastic identifier
KSPrdpm	Speaker module with red elastic identifier
KBNC50whpm	BNC 50 ohm, white
KBNC75bkpm	BNC 75 ohm, black
SACK90Spm	Cat 6 keystone coupler, w/rear outlet 90 degrees to front outlet, shielded

More Information:

TUK's Panel Mount Connectors Range offers a wide variety of audio, video and data connectors which can easily be mounted into panels of virtually any thickness.

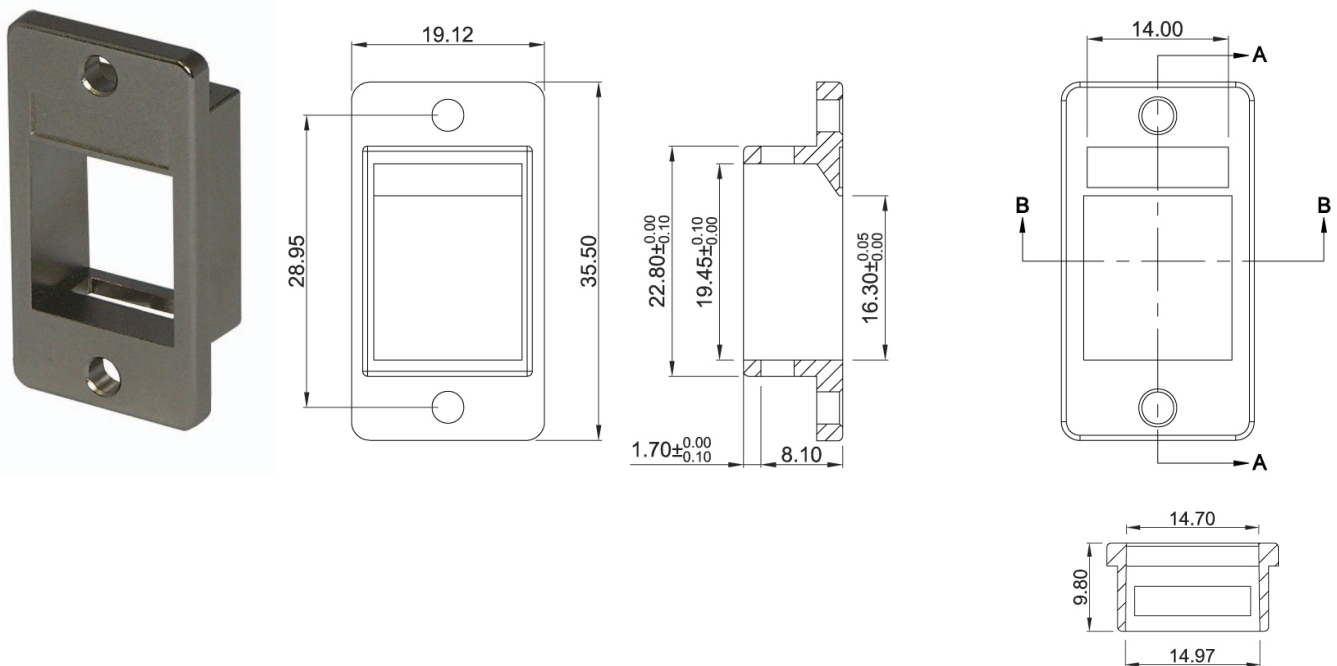
Die cast adaptor is robust and ensures easy mounting (into standard cut-out) and reliable earthing.

All connectors are made to relevant standards. Category 6 and 6A connectors are made, for example, to FCC68 and to TIA/EIA 568B and have an insertion life of >750 mating cycles. All products are CE compliant (i.e including ROHS and REACH)

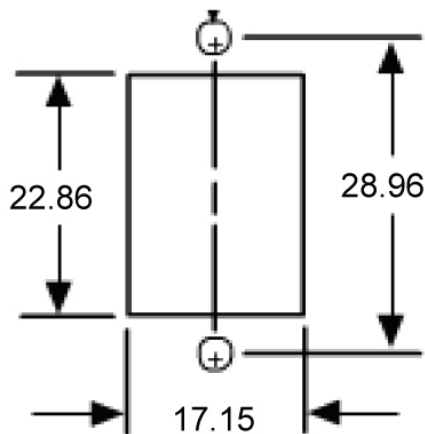
Specifications:

- Kit includes coupler/connector, panel mount adaptor and 2 x round head self tapping screws.
- For specifications of couplers and sockets, see separate web pages as follows:
 - HDMI keystone coupler: http://www.tuk.co.uk/tuk_live/product_details.php?category_id=&pId=185
 - RJ12 keystone coupler: http://www.tuk.co.uk/tuk_live/product_details.php?category_id=&pId=170
 - USB2 AA keystone coupler: http://www.tuk.co.uk/tuk_live/product_details.php?category_id=&pId=224
 - USB2.0 AB keystone coupler: http://www.tuk.co.uk/tuk_live/product_details.php?category_id=&pId=182
 - Fibre keystone couplers and sockets: http://www.tuk.co.uk/tuk_live/product_details.php?category_id=&pId=209
 - Cat 5e UTP and FTP keystone coupler: http://www.tuk.co.uk/tuk_live/product_details.php?category_id=&pId=246
 - Cat 6 UTP and FTP keystone coupler: http://www.tuk.co.uk/tuk_live/product_details.php?category_id=&pId=243
 - Cat 6A FTP keystone coupler: http://www.tuk.co.uk/tuk_live/product_details.php?category_id=&pId=150
 - Cat 6A FTP keystone jack: http://www.tuk.co.uk/tuk_live/product_details.php?category_id=&pId=113
 - Cat 5e and Cat 6 tool-less UTP keystone jack: http://www.tuk.co.uk/tuk_live/product_details.php?category_id=&pId=173
 - Cat 6 IDC UTP keystone jack: http://www.tuk.co.uk/tuk_live/product_details.php?category_id=&pId=192
 - Speaker module: http://www.tuk.co.uk/tuk_live/product_details.php?category_id=&pId=201
 - BNC 50 ohm: http://www.tuk.co.uk/tuk_live/product_details.php?category_id=1&pId=218
 - BNC 75 ohm: http://www.tuk.co.uk/tuk_live/product_details.php?category_id=1&pId=221
 - 90° Cat 6 Panel Mount Coupler: http://www.tuk.co.uk/tuk_live/product_details.php?category_id=&pId=133

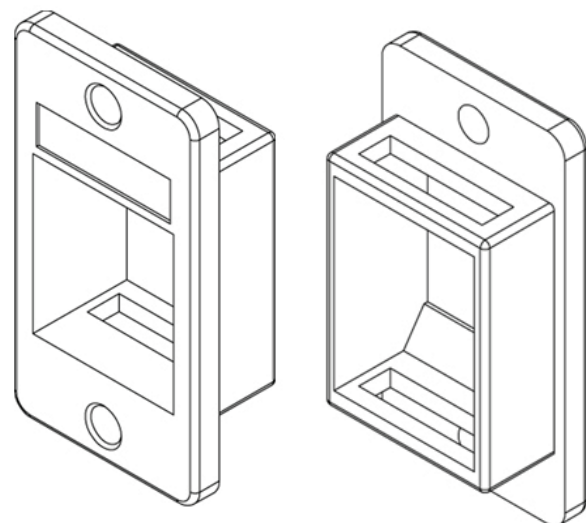
Panel Mount Adaptor (KAPma)



Requirements for cut-out:



All dimensions are in mm

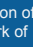


Front

Back

TUK Ltd, Unit 4, Wimbledon Stadium Business Centre, Riverside Road, London SW17 0BA

Tel: +44 (0) 20 8946 6688 Fax: +44 (0) 20 8879 7410 Email: sales@tuk.co.uk Website: www.tuk.co.uk

TUK follows a policy of continuous improvement. All information is correct at the time of printing but may be subject to change without prior notification. Please contact TUK for formal confirmation of current specification. HDMI and LSA-Plus are registered trademarks of HDMI Licensing and Krone (UK) Technique Ltd respectively, whose rights are acknowledged.  is a registered trademark of TUK Limited.

X-ON Electronics

Largest Supplier of Electrical and Electronic Components

Click to view similar products for [Modular Connectors](#) / [Ethernet Connectors](#) category:

Click to view products by [Tuk](#) manufacturer:

Other Similar products are found below :

[RJE231881317T](#) [MP1010RX-1000](#) [MP44RX-1000](#) [GAX-3-66](#) [GAX-8-62](#) [93606-0253](#) [GD-A-44](#) [GDCX-PA-66-50](#) [GDCX-PN-64](#) [GDCX-PN-66](#) [GDCX-PN-66-50](#) [GDLX-A-66](#) [GDLX-A-88](#) [GDLX-N-66](#) [GDLX-S-88K](#) [GDTX-S-88-50](#) [GDX-PA-1010](#) [GLX-N-1010M-BLK](#) [GLX-N-44M](#) [GLX-S-88M-BLK](#) [GMX-N-1010](#) [GMX-S-1010](#) [GMX-S-66](#) [GMX-SMT2-N-1010](#) [GMX-SMT2-N-64-50](#) [GMX-SMT2-S6-88](#) [GMX-SMT4-N-88](#) [GPX-2-64](#) [GRT1-BT1-5](#) [GSGX-N-2-88](#) [GSX-NS2-88-3.05](#) [GSX-NS2-88-3.05-50](#) [GSX-NS-88-3.05-30](#) [GSX-NS-88-3.05-50](#) [GSX-NS-88-3.68](#) [1-1775629-2](#) [GWLX-S-88-GR](#) [GWLX-S9-88-YG](#) [1300500326](#) [1300500227](#) [1300530003](#) [1300570002](#) [1324640-4](#) [RJ11FTVC2G](#) [RJ11FTVC2N](#) [RJFTVX2SA1G](#) [132764-001](#) [1400000](#) [1413176](#) [1413235](#)