

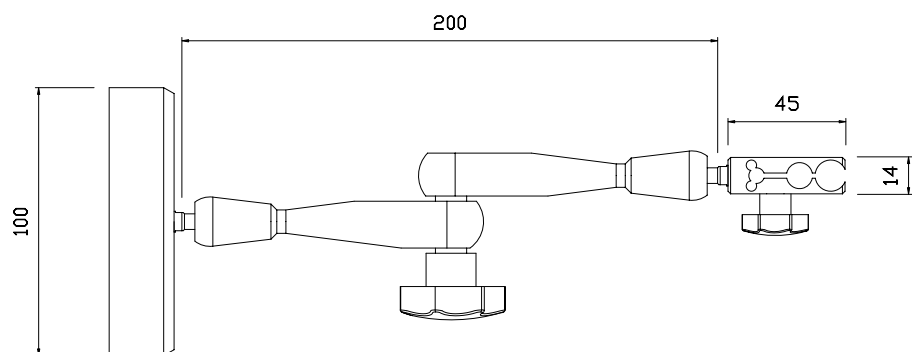
Accurate and safe positioning, enables handsfree testing and measuring with its stepless 3D clamping system. Universal probe holder fitting for all sizes, permanent fixation through ball and socket joint.

Material: anodized light alloy, steel

Scope of delivery: 3D positioner, steel base, 3-fold holder

Order-No. 893-350-001

*Please note that positioner is not supplied with probe.*



PMK GmbH  
 Mess- und  
 Kommunikationstechnik  
 Industriestr. 17  
 63150 Heusenstamm  
 Germany

Phone: +49 (0) 6104 6453  
 Fax: +49 (0) 6104 6457  
 Internet: [www.pmk.de](http://www.pmk.de)  
 E-Mail: [sales@pmk.de](mailto:sales@pmk.de)  
[service@pmk.de](mailto:service@pmk.de)

## **X-ON Electronics**

Largest Supplier of Electrical and Electronic Components

*Click to view similar products for [pmk](#) manufacturer:*

Other Similar products are found below :

[TSF-0.8-5](#) [PSF-0.5-5](#)