

# GL66 SERIES MILD STEEL SCREW COVER WALL-MOUNT ENCLOSURES



Hoffman mild steel wall-mount enclosures from Pentair are designed to house and protect electrical and electronic components in industrial environments.

An ergonomic and aesthetic styling together with an attractive durable light-gray finish make this solution an excellent choice when style and functionality are important.

- All types of wall-mount enclosure have an outward formed flange to prevent contaminants from entering the enclosure.
- Wide range of standard catalogue items make this solution available fast.

## INDUSTRY STANDARDS

Solid screw cover models

UL 508A listed; Type 3,4,12; File No. E61997  
cUL Listed per CSA C22.2 No.94; Type 3,4,12;  
File No. E61997

NEMA/EEMAC Type 4 and 12  
CSA, File No. 42186: Type 4, 12, 13  
IEC 60529, IP66  
IEC/EN62262 IK9  
IEC 62208

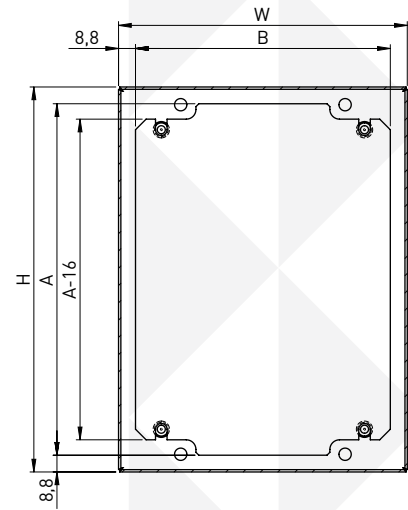
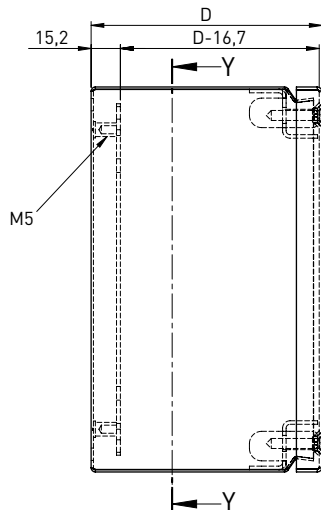
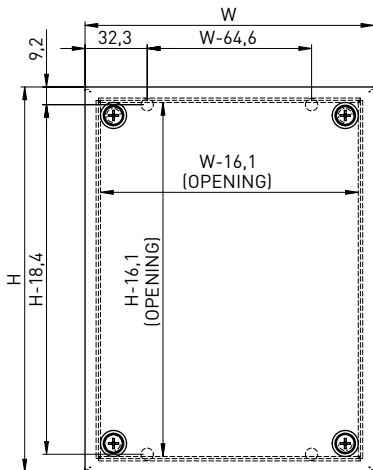
## SPECIFICATIONS

- Mild steel solution constructed from doors thickness 1,2 mm; and body thickness 1,0 mm; 1,2 mm;
- Seamless foam-in-place gasket
- Front cover with captivated M5 screws
- Integral compression stops maintain optimal gasket compression
- Finish RAL 7035 textured light-gray polyester powder paint
- Grounding studs system
- Conductive panel available optionally integrated or as an accessory
- Furnished hardware kit includes solid washers for wall-mounting, hole plugs
- Weatherproof paint available on request
- Installation instruction

# GL66 WALL-MOUNT ENCLOSURES, STANDARD PRODUCTS

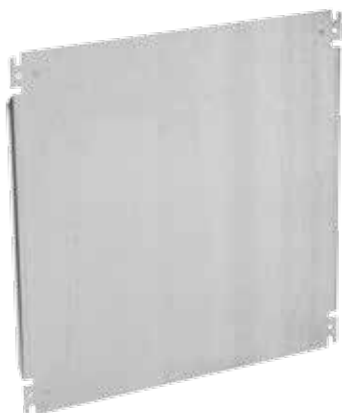
## STANDARD PRODUCT

Item Number	Description	H [mm]	W [mm]	D [mm]	Door thickness [mm]	Body Thickness [mm]	Conductive mounting panel	Solution with mounting panel integrated
MSC15015080E	GL66 SC Wallmount Mild Steel Enclosure 150H150W80D	150	150	80	1.2	1	MSC150P150GE	MSC15015080PE
MSC150150120E	GL66 SC Wallmount Mild Steel Enclosure 150H150W120D	150	150	120	1.2	1	MSC150P150GE	MSC150150120PE
MSC15020080E	GL66 SC Wallmount Mild Steel Enclosure 150H200W80D	150	200	80	1.2	1	MSC150P200GE	MSC15020080PE
MSC150200120E	GL66 SC Wallmount Mild Steel Enclosure 150H200W120D	150	200	120	1.2	1	MSC150P200GE	MSC150200120PE
MSC15030080E	GL66 SC Wallmount Mild Steel Enclosure 150H300W80D	150	300	80	1.2	1	MSC150P300GE	MSC15030080PE
MSC150300120E	GL66 SC Wallmount Mild Steel Enclosure 150H300W120D	150	300	120	1.2	1	MSC150P300GE	MSC150300120PE
MSC150400120E	GL66 SC Wallmount Mild Steel Enclosure 150H400W120D	150	400	120	1.2	1	MSC150P400GE	MSC150400120PE
MSC200150120E	GL66 SC Wallmount Mild Steel Enclosure 200H150W120D	200	150	120	1.2	1	MSC200P150GE	MSC200150120PE
MSC20020080E	GL66 SC Wallmount Mild Steel Enclosure 200H200W80D	200	200	80	1.2	1	MSC200P200GE	MSC20020080PE
MSC200200120E	GL66 SC Wallmount Mild Steel Enclosure 200H200W120D	200	200	120	1.2	1	MSC200P200GE	MSC200200120PE
MSC20030080E	GL66 SC Wallmount Mild Steel Enclosure 200H300W80D	200	300	80	1.2	1	MSC200P300GE	MSC20030080PE
MSC200300120E	GL66 SC Wallmount Mild Steel Enclosure 200H300W120D	200	300	120	1.2	1	MSC200P300GE	MSC200300120PE
MSC20040080E	GL66 SC Wallmount Mild Steel Enclosure 200H400W80D	200	400	80	1.2	1	MSC200P400GE	MSC20040080PE
MSC200400120E	GL66 SC Wallmount Mild Steel Enclosure 200H400W120D	200	400	120	1.2	1	MSC200P400GE	MSC200400120PE
MSC200500120E	GL66 SC Wallmount Mild Steel Enclosure 200H500W120D	200	500	120	1.2	1.2	MSC200P500GE	MSC200500120PE
MSC20060080E	GL66 SC Wallmount Mild Steel Enclosure 200H600W80D	200	600	80	1.2	1.2	MSC200P600GE	MSC20060080PE
MSC200600120E	GL66 SC Wallmount Mild Steel Enclosure 200H600W120D	200	600	120	1.2	1.2	MSC200P600GE	MSC200600120PE
MSC200800120E	GL66 SC Wallmount Mild Steel Enclosure 200H800W120D	200	800	120	1.5	1.2	MSC200P800GE	MSC200800120PE
MSC30015080E	GL66 SC Wallmount Mild Steel Enclosure 300H150W80D	300	150	80	1.2	1.2	MSC300P150GE	MSC30015080PE
MSC300150120E	GL66 SC Wallmount Mild Steel Enclosure 300H150W120D	300	150	120	1.2	1.2	MSC300P150GE	MSC300150120PE
MSC30020080E	GL66 SC Wallmount Mild Steel Enclosure 300H200W80D	300	200	80	1.2	1.2	MSC300P200GE	MSC30020080PE
MSC300200120E	GL66 SC Wallmount Mild Steel Enclosure 300H200W120D	300	200	120	1.2	1.2	MSC300P200GE	MSC300200120PE
MSC300200150E	GL66 SC Wallmount Mild Steel Enclosure 300H200W150D	300	200	150	1.2	1.2	MSC300P200GE	MSC300200150PE
MSC300250150E	GL66 SC Wallmount Mild Steel Enclosure 300H250W150D	300	250	150	1.2	1.2	MSC300P250GE	MSC300250150PE
MSC300250200E	GL66 SC Wallmount Mild Steel Enclosure 300H250W200D	300	250	200	1.2	1.2	MSC300P250GE	MSC300250200PE
MSC300300120E	GL66 SC Wallmount Mild Steel Enclosure 300H300W120D	300	300	120	1.2	1.2	MSC300P300GE	MSC300300120PE
MSC300400120E	GL66 SC Wallmount Mild Steel Enclosure 300H400W120D	300	400	120	1.2	1.2	MSC300P400GE	MSC300400120PE
MSC300500120E	GL66 SC Wallmount Mild Steel Enclosure 300H500W120D	300	500	120	1.2	1.2	MSC300P500GE	MSC300500120PE
MSC300600120E	GL66 SC Wallmount Mild Steel Enclosure 300H600W120D	300	600	120	1.2	1.2	MSC300P600GE	MSC300600120PE
MSC350300200E	GL66 SC Wallmount Mild Steel Enclosure 350H300W200D	350	300	200	1.2	1.2	MSC350P300GE	MSC350300200PE
MSC40020080E	GL66 SC Wallmount Mild Steel Enclosure 400H200W80D	400	200	80	1.2	1.2	MSC400P200GE	MSC40020080PE
MSC400200120E	GL66 SC Wallmount Mild Steel Enclosure 400H200W120D	400	200	120	1.2	1.2	MSC350P300GE	MSC400200120PE
MSC400300120E	GL66 SC Wallmount Mild Steel Enclosure 400H300W120D	400	300	120	1.2	1.2	MSC400P300GE	MSC400300120PE
MSC400300150E	GL66 SC Wallmount Mild Steel Enclosure 400H300W150D	400	300	150	1.2	1.2	MSC400P300GE	MSC400300150PE
MSC400400120E	GL66 SC Wallmount Mild Steel Enclosure 400H400W120D	400	400	120	1.2	1.2	MSC400P400GE	MSC400400120PE
MSC400600120E	GL66 SC Wallmount Mild Steel Enclosure 400H600W120D	400	600	120	1.2	1.2	MSC400P600GE	MSC400600120PE
MSC400800120E	GL66 SC Wallmount Mild Steel Enclosure 400H800W120D	400	800	120	1.2	1.2	MSC400P800GE	MSC400800120PE



## ACCESSORIES

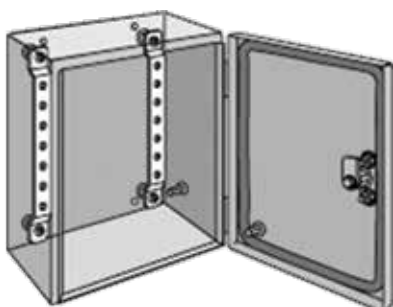
### MOUNTING PLATE



Galvanized steel full-size panel

Item Number	Description	Thickness [mm]	H [mm]	W [mm]
MSC150P150GE	MPL for GL66 size 150x150mm	2	132.5	132.5
MSC200P150GE	MPL for GL66 size 200x150mm	2	132.5	182.5
MSC200P200GE	MPL for GL66 size 200x200mm	2	132.5	282.5
MSC300P150GE	MPL for GL66 size 300x150mm	2	132.5	382.5
MSC300P200GE	MPL for GL66 size 300x200mm	2	182.5	132.5
MSC300P250GE	MPL for GL66 size 300x250mm	2	182.5	182.5
MSC300P300GE	MPL for GL66 size 300x300mm	2	182.5	282.5
MSC350P300GE	MPL for GL66 size 350x300mm	2	182.5	382.5
MSC400P150GE	MPL for GL66 size 400x150mm	2	182.5	482.5
MSC400P200GE	MPL for GL66 size 400x200mm	2	182.5	582.5
MSC400P300GE	MPL for GL66 size 400x300mm	2	182.5	782.5
MSC400P400GE	MPL for GL66 size 400x400mm	2	282.5	132.5
MSC500P200GE	MPL for GL66 size 500x200mm	2	282.5	182.5
MSC500P300GE	MPL for GL66 size 500x300mm	2	282.5	232.5
MSC600P200GE	MPL for GL66 size 600x200mm	2	282.5	282.5
MSC600P300GE	MPL for GL66 size 600x300mm	2	282.5	382.5
MSC600P400GE	MPL for GL66 size 600x400mm	2	282.5	482.5
MSC800P200GE	MPL for GL66 size 800x200mm	2	282.5	582.5
MSC800P400GE	MPL for GL66 size 800x400mm	2	332.5	282.5

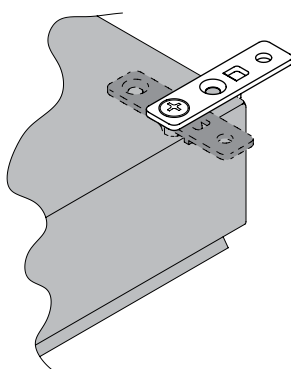
### DIN RAIL MOUNTING KIT



Item Number	Description	H or W of enclosure [mm]
LMK15E	DIN moun. Brackets for GL66 S.C.	150
LMK20E	DIN moun. Brackets for GL66 S.C.	200
LMK30E	DIN moun. Brackets for GL66 S.C.	300
LMK35E	DIN moun. Brackets for GL66 S.C.	350
LMK40E	DIN moun. Brackets for GL66 S.C.	400

Uses as a mounting framework to install DIN rails or a panel. Bracket is offset for additional space in front of or behind mounted equipment. Mounting hardware included.

### MOUNTING-BRACKET



Item Number	Description
LMFK	Set of 4 mounting brackets for GL66 S.C.

Mounting-bracket kits are field-installable. Set of four (4) brackets



[WWW.PENTAIRPROTECT.COM](http://WWW.PENTAIRPROTECT.COM)

**EUROPE**

**Straubenhardt, Germany**  
Tel: +49.7082.794.0

**Betschdorf, France**  
Tel: +33.3.88.90.64.90

**Warsaw, Poland**  
Tel: +48.22.209.98.37

**Dzierzoniow, Poland**  
Tel: +48.74.64.63.900

**Hemel Hempstead, Great Britain**  
Tel: +44.1442.24.04.71

**Lainate, Italy**  
Tel: +39.02.932.714.1

**Aachen, Germany**  
Tel: +49.2405.40996-0

**NORTH AMERICA**

**Minneapolis, MN**  
Tel: +1.763.421.2240

**Mexico, D.F.**  
Tel: +52.55.5280.1449

**Toronto, Canada**  
Tel: +1.416.289.2770

**MIDDLE EAST & INDIA**

**Dubai, United Arab Emirates**  
Tel: +971.4.37.81.700

**Bangalore, India**  
Tel: +91.80.6715.2001

**Istanbul, Turkey**  
Tel: +90.216.250.7374

**ASIA**

**Shanghai, P.R. China**  
Tel: +86.21.2412.1688

**Singapore**  
Tel: +65.6768.5800

**Shin-Yokohama, Japan**  
Tel: +81.45.476.0271

**Seoul, Korea**  
Tel: +82.2.2129.7755

Pentair, Hoffman and Design with Confidence are owned by Pentair or its global affiliates. All other trademarks are the property of their respective owners.

© 2015 Pentair

Spec-01079 B

## X-ON Electronics

Largest Supplier of Electrical and Electronic Components

*Click to view similar products for [hoffman manufacturer](#):*

Other Similar products are found below :

[A-1412CHQR](#) [CSD201610](#) [CSD20168SS](#) [CSD20206](#) [CSD20208SS](#) [CSD24168](#) [CSD36248](#) [CSD36308](#) [PCU7](#) [PDS76R](#) [PRA197TP](#) [PT126](#)  
[A1008CHNFSS](#) [A10106CH](#) [A10106CHFL](#) [A10106PHCW](#) [A1066JFGQRR](#) [A1210CHNF](#) [A1212SC](#) [A1412CHNFSS](#) [A161208LP](#)  
[A161410CH](#) [A16H12ALP](#) [A16P14](#) [A16P16G](#) [A18P16AL](#) [A20H16BLP](#) [A20P16](#) [A24H2408SSLP](#) [Q13138PCE](#) [A404CH](#) [A606CHNF](#)  
[A606NF](#) [A806SC](#) [A845JFGR](#) [A864CHQRFGW](#) [A90P36F1](#) [HJ1412HWPL2LG](#) [HJ1816HWPL2LG](#) [RHJ1210HWPL2LG](#) [AS125SS](#)  
[ASE10X10X4](#) [ASE12X12X4](#) [E1PBG](#) [E2PBG](#) [E3PB](#) [LED24V15](#) [LF230VD](#) [A10106PHC](#) [A10P8SS](#)