



GREEN ELECTRONICS



MSD

Terminal Blocks and Connectors for Printed Circuit Boards



ISO
9001



ISO
14001



BS OHSAS
18001:2007



SAUPI®
ELECTRONIC CONNECTORS

Functional characteristics

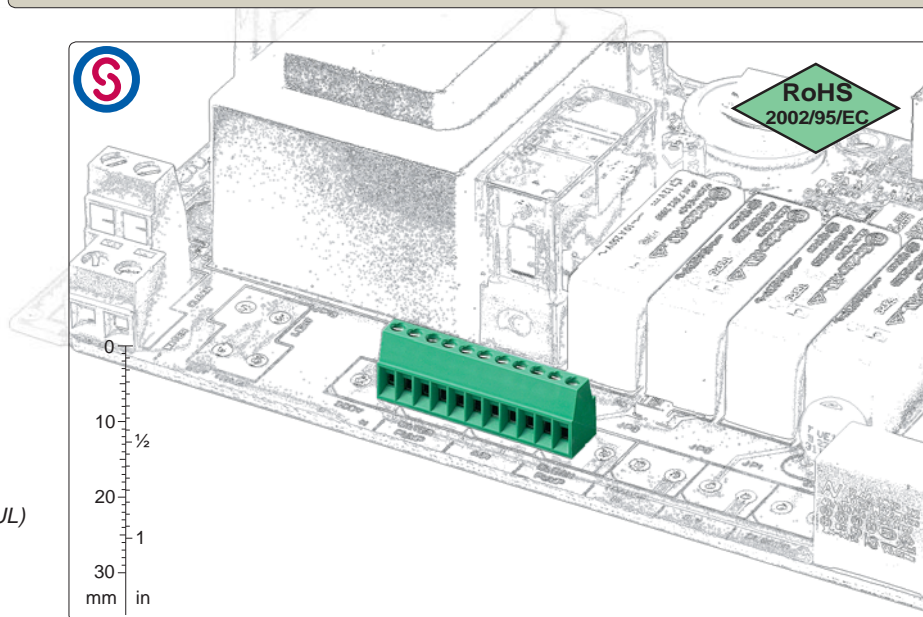

Dimensional class:
low

Standard colour:
green

Height:
10 mm (.394 in)

Max approved wire sections:
solid: 1 mm² (IMQ); 16 AWG (UL)
stranded: 0.5 mm² (IMQ); 16 AWG (UL)
Clamp opening size:
1.4 x 1.7 mm (.055 x .067 in)

Versions:
side stackable,
Single mould poles:
from 2 to 12

Pitches:
imperial 2.54 mm, 5.08 mm
(.100 in, .200 in)


*pitch 2.54 mm
from 2 to 12 poles
side stackable*



*pitch 5.08 mm
from 2 to 6 poles
side stackable*

Brief description

The **MSD** series of terminal block is characterized by its **particularly small dimensions** and is ideal for use in **PCBs** for the **transmission of signals** and/or for low voltage and limited current intensity, particularly when it is necessary to wire a large number of contacts in a small space.

It is available in 2.54 mm (.100 in) and 5.08 mm (.200 in) Imperial pitches in monolithic blocks from 2 to 12 poles.

The monolithic blocks can be side-stacked by adding a pitch between one pitch and another in order to obtain any number of poles. By taking advantage of this particular characteristic a minimum stock of basic terminal blocks can be kept.

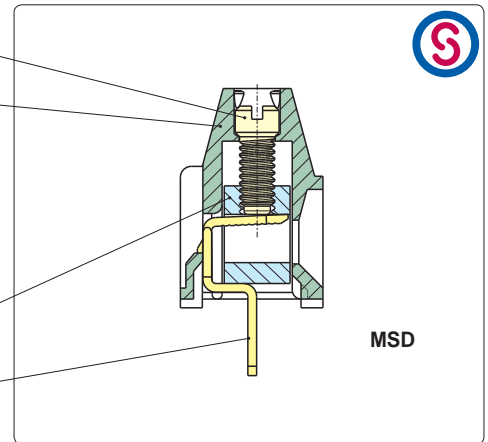
It is simple to manage the product, the warehouse and the assembly with the **Kit packages** because several versions can be received with **only one code**, the part-numbers are significantly reduced and the risk of making mistakes is also reduced.

Approvals

IEC-EN	IEC:	130 V - T 110 - 12 A - 1 mm ² solid (6 A - 0.5 mm ² stranded) for 2.54 mm pitch
	EN 60998-1 and EN60998-2-1	250 V - T 110 - 12 A - 1 mm ² solid (6 A - 0.5 mm ² stranded) for 5.08 mm pitch
UL	UL:	150 V - 10 A - 30+16 AWG - 1.73 lbf-in for 2.54 mm pitch
	File E 167473	300 V - 10 A - 30+16 AWG - 1.73 lbf-in for 5.08 mm pitch
		Application values for end-use equipment have to be in accordance to UL norms and applicable to it.
VDE	VDE:	125 V - 6 A - T 110 - 0.5 mm ² for 2.54 mm pitch
	File n. 40022747	250 V - 6 A - T 110 - 0.5 mm ² for 5.08 mm pitch
IMQ	IMQ:	130 V - T 110 - 12 A - 1 mm ² solid (6 A - 0.5 mm ² stranded) for 2.54 mm pitch
	File: CA02.00145	250 V - T 110 - 12 A - 1 mm ² solid (6 A - 0.5 mm ² stranded) for 5.08 mm pitch

Characteristics of components

- M1.6 nickel plated copper alloy screw.
- PA 6.6 polyamide housing.
Standard colour: GREEN.
V0 self-extinguishing according to UL 94.
Chlorinated solvents resistant,
with no phosphor, dioxin or
detrimental to health halogens.
- Nickel plated copper alloy clamp
- Easy to solder lead-free
tin-plated copper alloy pin.



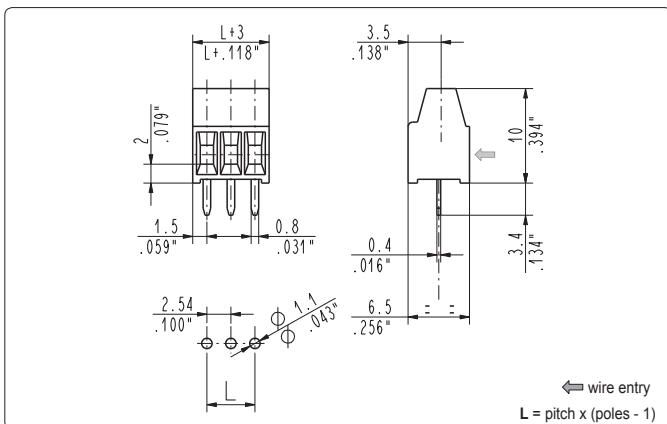
Mechanical characteristics

Recommended/highest tightening torque	0.1/0.15 Nm (0.88/1.33 lbf in)
PCB thickness:	max. 2.4 mm (.094 in)
PCB hole diameter:	min. 1.1 mm (.043 in)
Stripping length	4 ÷ 5 mm (.16 ÷ .197 in)
Operating temperature range	-40 °C ÷ +110 °C (-40 °F ÷ +230 °F)
Climatic category	40/110/21 According to EN 60068-1

Electric characteristics*

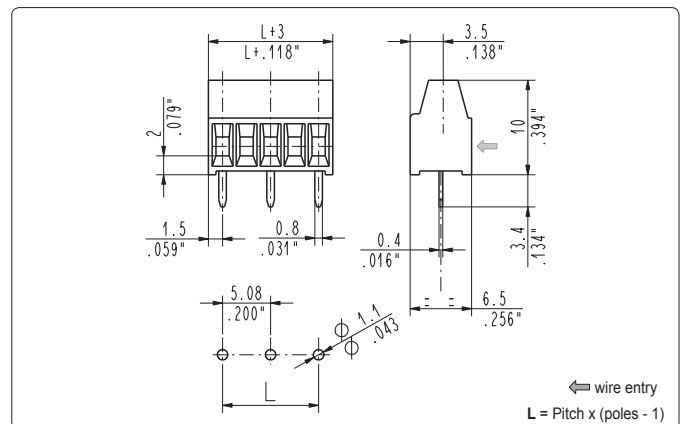
Solid wire section	30÷16 AWG (UL)* 0.05 ÷ 1 mm ² (IMQ)*
Stranded wire section	30÷16 AWG (UL)* 0.05 ÷ 0.5 mm ² (IMQ)*
Rated voltage for 2.54 mm (.100 in)	150 V (UL)*
Rated voltage for 5.08 mm (.200 in)	300 V (UL)*
Rated current	12 A (IMQ)*
Contact resistance	<15 mΩ
Insulation resistance	>10 ⁹ Ω (500V DC)

*All the above mentioned data refer to the highest values amongst the certificated ones.
V voltage, I current values and tightening torque are related to the norms to be applied to the product and to its use.



MSD_004 straight, side entry

2.54 mm / .100" pitch		Pcs/pack.	W [kg]*	Pcs/Ind.**	W [kg]*
02	MSD02004	400	0,28	5000	3,50
03	MSD03004	275	0,29	5000	5,25
04	MSD04004	200	0,28	3000	4,20
05	MSD05004	150	0,26	2500	4,38
06	MSD06004	125	0,26	2000	4,20
07	MSD07004	100	0,25	2000	4,90
08	MSD08004	100	0,28	2000	5,60
09	MSD09004	75	0,24	1500	4,73
10	MSD10004	75	0,26	1500	5,25
11	MSD11004	50	0,19	1000	3,85
12	MSD12004	50	0,21	1000	4,20



MSD_005 straight, side entry

5.08 mm / .200" pitch		Pcs/pack.	W [kg]*	Pcs/Ind.**	W [kg]*
02	MSD02005	275	0,22	5000	4,00
03	MSD03005	150	0,18	2500	3,00
04	MSD04005	100	0,16	2000	3,20
05	MSD05005	75	0,15	1500	3,00
06	MSD06005	50	0,12	1000	2,40

*W [kg]: approximate weight per box in kg

**Industrial packaging: add "-00000E" at standard code

X-ON Electronics

Largest Supplier of Electrical and Electronic Components

Click to view similar products for [Pluggable Terminal Blocks](#) category:

Click to view products by [Sauro](#) manufacturer:

Other Similar products are found below :

[57.404.7553](#) [57.504.0053.7](#) [57.510.0053](#) [57.910.6153](#) [01.112.1453](#) [CTB932VE/6](#) [MC 1.5/ 6-ST-3.5 GY AU](#) [ET02015000J0G](#) [734-104](#) [734-302](#) [734-304](#) [8-141-P](#) [FKCT 2.5/ 3-ST KMGY](#) [860505](#) [860508](#) [860516](#) [860810](#) [861908](#) [GBPACX-12](#) [93.731.4953.0](#) [PV05-5,08-K](#) [PVP02-5,00](#) [PVP04-3,50](#) [PVS02-5,00](#) [1-1986160-3](#) [H-10](#) [ELFH09150](#) [ELFH16150](#) [ELFP03110](#) [ELFT06250](#) [ELFT07250](#) [ELVF09400](#) [ELVP03100](#) [ELXH03100](#) [ELXH071G0E](#) [ELXP041G0](#) [ELXT046G0](#) [1700101](#) [1700410](#) [1700425](#) [1703176](#) [1703243](#) [1705229](#) [1710175](#) [1714537](#) [1717806](#) [1719600](#) [1729386](#) [1734692](#) [1734795](#)