

Ledex® Magnetic Latching Box Frame Size B14-L

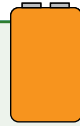
Part Number: B14 - L - **X** **XX** - B- 4

Coil Selection
(from performance chart below)

Pole Configuration
1 Flat Face
2 50° Conical

All catalog products manufactured after
April 1, 2006 are RoHS Compliant

Well-suited
for battery
operation.



See the "Battery Operated
Solenoids" section for
complete information.

Specifications

Operation	Pull
Dielectric Strength	500 VRMS for one second
Unlatch Voltage	See schematic and coil data below
Magnet Hold Force*	
Flat Face:	1.20 lb (with return spring)
50° Conical:	0.30 lb (with return spring)
Coil Insulation	Class " B": 130°C max. (standard); other temperature classes available
Coil Termination	10" PVC lead wires
Spring Force	0.37 lb/in; 0.17 lb latched position
Plunger Pole Face	Flat face with return spring 50° conical with return spring (other options available)
Plunger Weight	0.50 oz (14.2 g)
Total Weight	3.38 oz (95.9 g)
Dimensions	See page I 13

*In no power, latched position

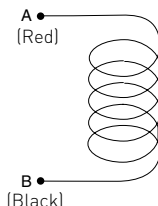
Maximum Duty Cycle	Unlatched			
	Voltage	50%	25%	10%
Maximum ON Time (sec) when pulsed continuously	∞	100	36	7
Maximum ON Time (sec) for single pulse	∞	480	180	45
Watts (@ 20°C)	5.2	10.4	20.8	52.2
Ampere Turns (@ 20°C)	750	1060	1500	2370

Coil Data

Part Number	Resistance (@20°C)	Ref # Turns	Unlatch VDC	VDC (Nom)	VDC (Nom)	VDC (Nom)
B14-L-X58-B-4	1.93	480	3	4	6	10
B14-L-X55-B-4	6.90	871	6	8.5	12	19
B14-L-X56-B-4	17.40	1408	9	13	18	29
B14-L-X54-B-4	28.60	1791	12	17	24	38
B14-L-X53-B-4	110.00	3450	24	34	48	76

Coil Polarity

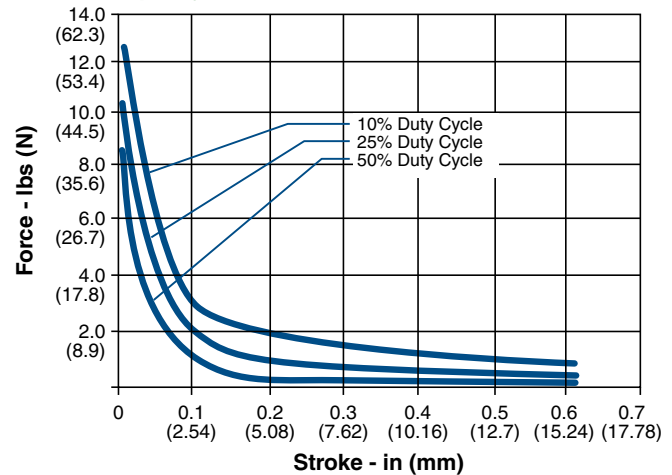
Latch: A+ B-
Unlatch: A- B+



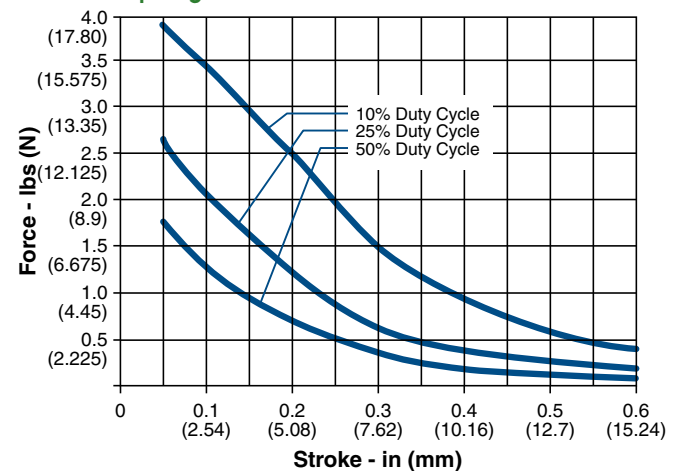
NOTES:

- All data is typical.
- Force testing is done with the solenoid in the horizontal position.
- All data reflects operation with no heatsink.

Typical Force @ 20°C – Flat Face Armature (net with spring)



Typical Force @ 20°C – 50° Conical Armature (net with spring)



How to Order

Select the part number from the table provided. (For example, to order a 25% duty cycle unit rated at 48 VDC with a 50° Conical Armature, specify B14-L-253-B-4.

Please see www.ledex.com (click on Stock Products tab) for our list of stock products available through our North American distributors.

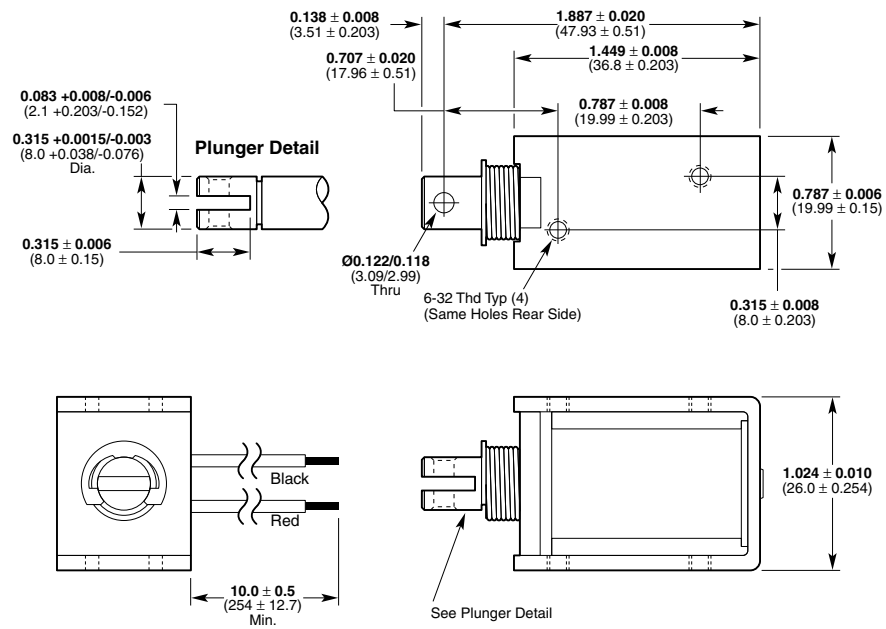
Force values for reference only.

All specifications subject to change without notice.

Ledex® Box Frame Magnetic Latching Dimensions

Inches (mm)

B14-L



All solenoids are illustrated in energized state

All specifications subject to change without notice.

X-ON Electronics

Largest Supplier of Electrical and Electronic Components

Click to view similar products for [ledex manufacturer](#):

Other Similar products are found below :

[174419-029](#) [174419-026](#) [2536-F-34](#) [129409-028](#) [174534-035](#) [129415-029](#) [195201-234](#) [195191-031](#) [190834-029](#) [195204-233](#) [129415-026](#)
[H-2268-031](#) [123422-028](#) [195200-234](#) [129450-029](#) [174419-023](#) [B14HD-254-B-4](#) [282342-028](#) [2006-F-34](#) [195201-237](#) [B14HD-L-254-B-4](#)
[195224-231](#) [1250-A-1](#) [2537-F-34](#) [195202-237](#) [195207-231](#) [195206-225](#) [129450-026](#) [1000-M-1](#) [2255-F-34](#) [2256-F-34](#) [174432-024](#) [3500-M-](#)
[1](#) [2005-F-34](#) [152097-230](#) [3000-M-1](#) [154660-227](#) [173921-023](#) [123421-036](#) [195224-229](#) [H-2414-029](#) [195205-230](#) [123423-030](#) [195225-229](#)
[195223-233](#) [195203-234](#) [B11HD-253-B-3](#) [195202-231](#) [123421-033](#) [B14HD-253-B-4](#)